
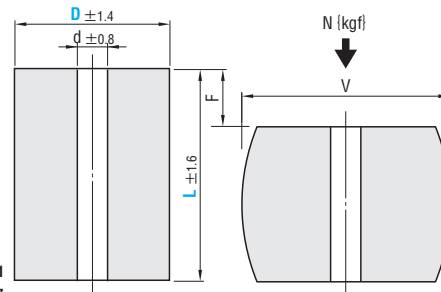


URETHANE FOAMS (POROUS) FOR HIGH-DEFLECTION USE

LOW REPULSION URETHANES



PA (Standard type)



Product guide P.1501
 Products data P.1517
 High-deflection type urethane springs become noticeably discolored when exposed to ultraviolet rays (including sunlight), however there is no adverse effect on performance.


F=L×20%		F=L×30%		F=L×40%		V	d	Catalog No.	Base unit price 1~19 pieces
F mm	Load N (kgf)	F mm	Load N (kgf)	F mm	Load N (kgf)				
6	981	9	1177	12	1471	36	14	PA 30-30	Quotation
8	{100}	12	{120}	16	{150}	48		PA 40-40	
10	1961	15	2452	20	3040	60		PA 50-40	
8	{200}	12	{250}	16	{310}	48	14	PA 40-40	Quotation
10		20		3040		PA 50-40			
12		24		3100		PA 60-50			
10	3481	15	4413	20	5541	60	14	PA 50-40	Quotation
12		24		5650		PA 60-50			
16		32		7400		PA 80-60			
10	4609	15	5737	20	7257	72	14	PA 60-50	Quotation
12		24		8580		PA 80-60			
16		32		11400		PA 100-80			
16	8532	24	10787	32	13729	96	14	PA 80-60	Quotation
20		40		18000		PA 100-80			
26		52		21700		PA 120-80			
20	13925	30	17652	40	21771	120	22	PA 100-80	Quotation
24		48		28200		PA 120-80			
32		64		37600		PA 120-80			
20	19907	30	24909	40	30793	144	22	PA 120-80	Quotation
24		48		42400		PA 120-80			
32		64		56800		PA 120-80			

●Load (kgf) = Load (N) × 0.101972

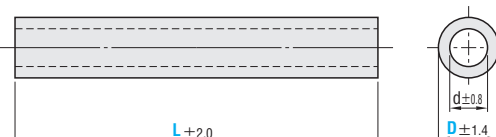
Order **Catalog No. PA 50-50**

Days to Ship **Quotation**

Price **Quotation**



PLA



Product guide P.1501
 Please cut before using. P.1517
 High-deflection type urethane springs become noticeably discolored when exposed to ultraviolet rays (including sunlight), however there is no adverse effect on performance.


d	Catalog No. Type D - L	Base unit price 1~19 pieces
14	PLA 30-200	Quotation
	PLA 40-200	
	PLA 50-200	
	PLA 60-200	
22	PLA 80-200	Quotation
	PLA 100-200	
	PLA 120-200	

Order **Catalog No. PLA 80-200**

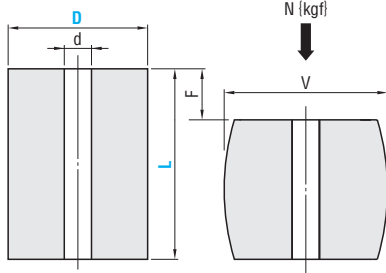
Days to Ship **Quotation**

Price **Quotation**

●Please cut before using.



AN (Standard type)



D	D T	d T	L T
20	±0.2	±0.2	±0.3
25			
30			
40	±0.3	±0.5	±0.5
50			
60			

Product guide P.1501
 Products data P.1517
 Shore A70


F=L×15%		F=L×20%		F=L×25%		V	d	Catalog No. Type D - L	Base unit price 1~19 pieces
F mm	Load N (kgf)	F mm	Load N (kgf)	F mm	Load N (kgf)				
3.75		5		6.25		24	8.5	AN 20-25	Quotation
4.5	343	6	451	7.5	617				
5.25	{35}	7	{46}	8.75	{63}				
6		8		10		30	11	AN 25-25	Quotation
3.75		5		6.25					
4.5		6		7.5					
5.25	470	7	686	8.75	912	37	14	AN 30-30	Quotation
6	{48}	8	{70}	10	{93}				
6.75		9		11.3					
7.5		10		12.5		48	14	AN 30-30	Quotation
4.5		6		7.5					
5.25		7		8.75					
6	666	8	941	10	1245	59	14	AN 40-40	Quotation
6.75	{68}	9	{96}	11.3	{127}				
7.5		10		12.5					
8.3		11		13.8		71	14	AN 40-40	Quotation
9		12		15					
6		8		10					
7.5	1343	10	1914	12.5	2549	48	14	AN 50-50	Quotation
9	{137}	12	{195}	15	{260}				
7.5		10		12.5					
9	2081	12	2983	15	4028	59	14	AN 50-50	Quotation
12	{212}	16	{304}	20	{410}				
7.5		10		12.5					
9	3089	12	4481	15	5962	71	14	AN 60-50	Quotation
12	{315}	16	{457}	20	{608}				
7.5		10		12.5					

●Load (kgf) = Load (N) × 0.101972

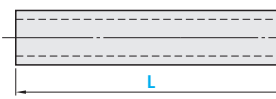
Order **Catalog No. AN 25-40**

Days to Ship **Quotation**

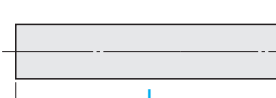
Price **Quotation**



LAN ANX (Configurable full length type)



CNN CNX (Configurable full length type)



●LAN ●CNN	D	D T	d T
●LAN ●CNN	20	±0.2	±0.2
	25		
	30		
	40		
●ANX ●CNX	50	±0.3	±0.5
	60		
	60		

Product guide P.1501
 Shore A70

d	Catalog No. Type D - L	Base unit price 1~19 pieces	d	Catalog No.	D	L 1mm increments	Base unit price 1~19 pieces					
						L10~20 L21~40 L41~60 L61~80 L81~100 L101~150 L151~200						
8.5	LAN	20-200	11	ANX	20	10~200						
		25-200			25							
		30-200			30							
	CNN	40-300	14	CNX	40	10~200						
		50-300			50							
		60-300			60							

Order **Catalog No. LAN ANX D 60 - L 300**

Days to Ship **Quotation**

Price **Quotation**

URETHANE SPRINGS