
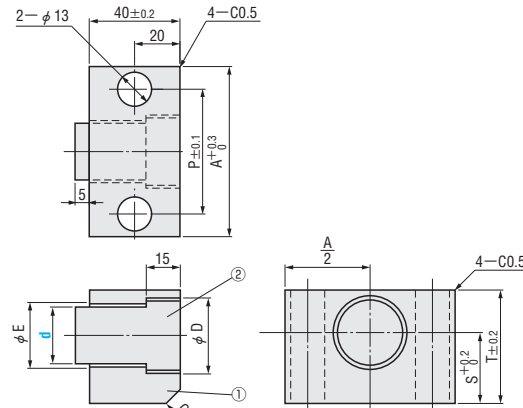


CAM STOPPERS

SILENCER URETHANES / URETHANE STOPPERS

RoHS **CCS**

① SS400
② Urethane spring
③ Shore A90

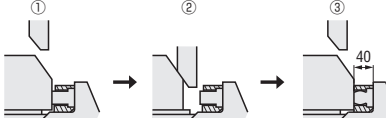
A	T	D	S	E	P	F Max. load N (kgf)	Catalog No. Type	d
70	60	35	40	30	50	5100 (520)	CCS	27
80	70	45	45	40	60	9610 (980)	CCS	36

Order **Catalog No.**
CCS 36


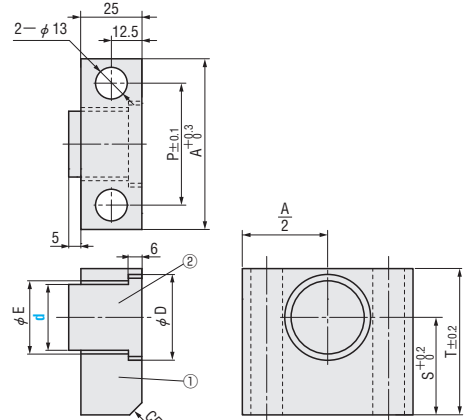
Days to Ship **Quotation**

Price **Quotation**

ex Example



CSTO

① SS400
② Urethane spring
③ Shore A90

A	T	D	S	E	P	F Max. load N (kgf)	Catalog No. Type	d
70	60	35.2	40	30	50	2100 (214)	CSTO	27
80	70	45.2	45	40	60	4200 (428)	CSTO	36


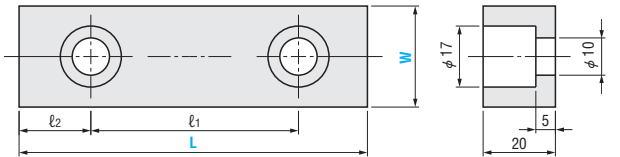
Order **Catalog No.**
CSTO 36

Days to Ship **Quotation**


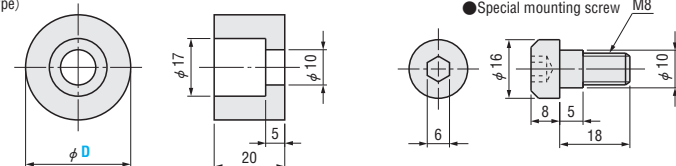
Price **Quotation**

Silencer urethanes

CCUC (Block type)

CCUR (Round type)

● Special mounting screw M8

① Urethane
② Shore A90
③ Special mounting screw

Special installation bolt
④ SCM435
⑤ 33~38HRC

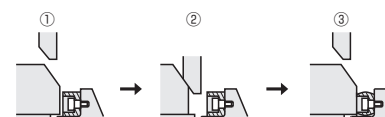
■ Block type (with 2 special installation bolts)

ℓ1	ℓ2	Catalog No. Type	W	L
60	20	CCUC	30	100
110	150			
140	200			

■ Round type (with 1 special installation bolt)

Catalog No.	
Type	D
CCUR	30

ex Example




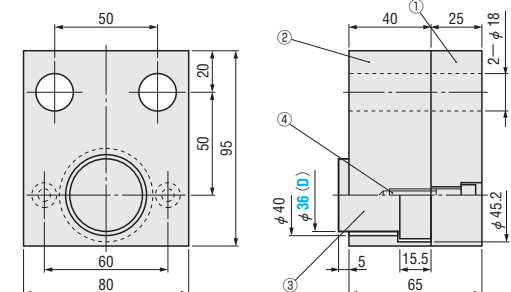
Order **Catalog No.** - L
CCUC 30 - 100

Days to Ship **Quotation**

Price **Quotation**

Urethane stoppers

CSTTU

① Fixed plate
② Base plate
③ Urethane stoppers
④ Hexagon socket head cap screw

■ Table of Components

No.	Name	Quantity	Material, Remarks
①	Fixed plate	1	SS400
②	Base plate	1	SS400
③	Urethane stoppers	1	Urethane Shore A90
④	Hexagon socket head cap screw	2	SCM435 M6×30

* Load is 9800N when the urethane deformation is 5mm.

Catalog No.	(D)
CSTTU	36

Order **Catalog No.** (D)
CSTTU 36

Days to Ship **Quotation**

Price **Quotation**