



CAM BOTTOM GUIDE PLATES

—125mm TYPE—

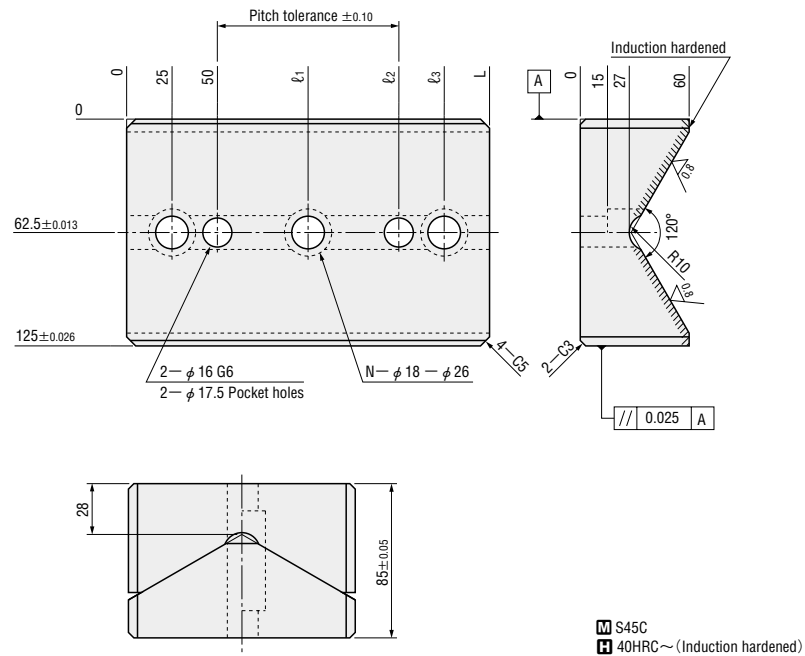


CAM BOTTOM SLIDE PLATES

—125mm TYPE—

Cam bottom guide plates

CMG31



S45C
 40HRC~ (Induction hardened)

L	No. of bolt holes	ℓ1	ℓ2	ℓ3	NAAMS Code	Catalog No.	
						Type	Code
150	2	—	100	125	G311215	CMG31	1215
200		—	150	175	G311220		1220
250	3	125	200	225	G311225		1225
300		150	250	275	G311230		1230

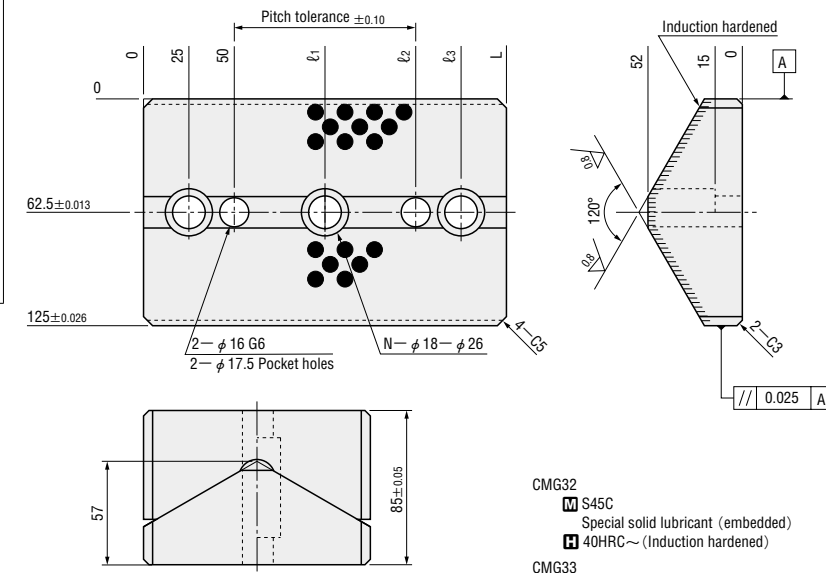
Order
CMG31 1215

Days to Ship

Price

Cam bottom slide plates

CMG32
CMG33



CMG32
 S45C
 Special solid lubricant (embedded)
 40HRC~ (Induction hardened)

CMG33
 Copper Alloy
 Special solid lubricant (embedded)

L	No. of bolt holes	ℓ1	ℓ2	ℓ3	NAAMS Code		Catalog No.	
					Steel	Copper Alloy	Type	Code
150	2	—	100	125	G321215	G331215	CMG32 CMG33	1215
200		—	150	175	G321220	G331220		1220
250	3	125	200	225	G321225	G331225		1225
300		150	250	275	G321230	G331230		1230

Order
CMG32 1215

Days to Ship

Price

NAAMS