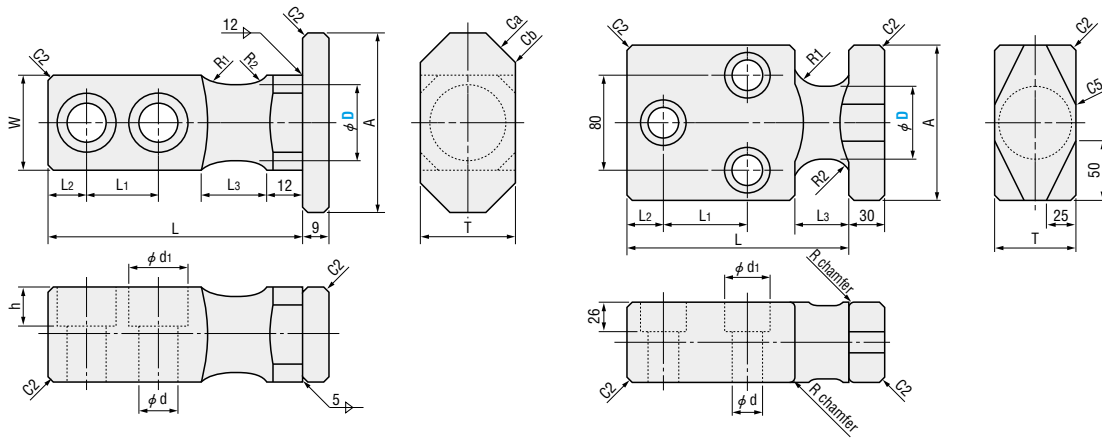


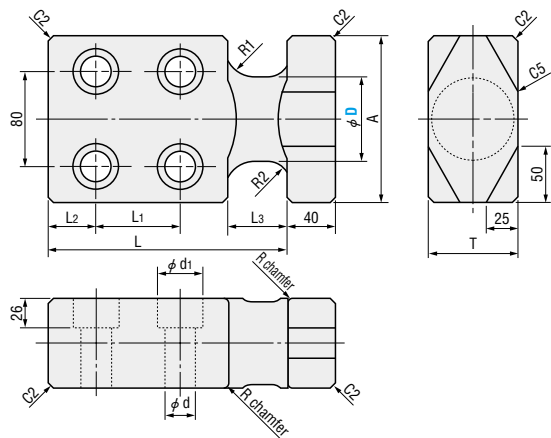


CHPH 25~50

CHPH 60



CHPH 70



SS400

A	L	L1	L2	L3	W	R1	R2	d	d1	T	Ca	Cb	Allowable load N/piece(kgf/piece)	Catalog No.	
														Type	D
60	85	24	13	22	32	15	10	13	20	32	10	2	7845(800)	CHPH	25
80	120	44	16	32	40			18	26	40			14710(1500)		32
90	140	52	18	40	50	20	12	22	32	50	23536(2400)	40			
120	160	59	22	45	60			26	38	60	20	5	34323(3500)		50
130	185	70	30		—			15	68	—	—	58840(6000)	60		
140	200		40	50	—	75	—	—	78453(8000)	70					

•Load (kgf)=Load N×0.101972



Order

Catalog No.
CHPH 60



Days to Ship

Quotation



Price

Quotation