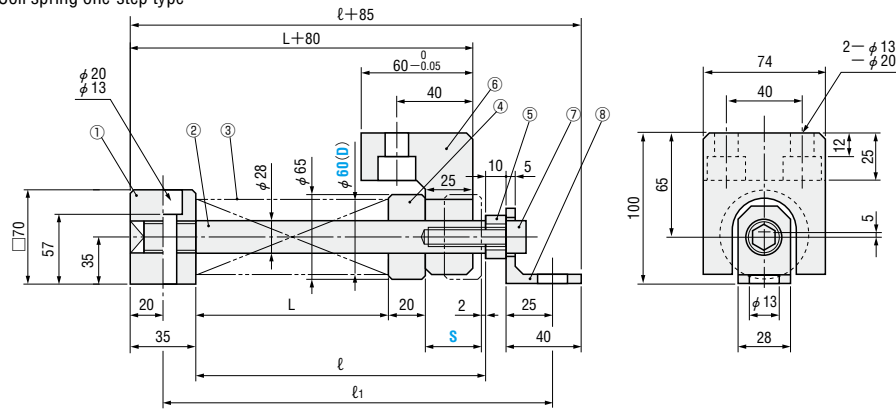


# RETURNING UNITS FOR CAM SLIDER

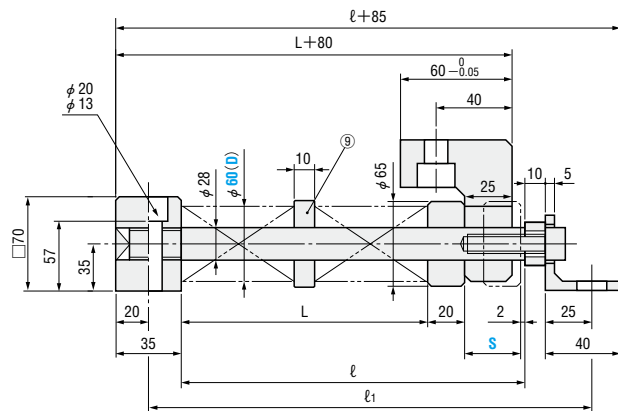


CUSSL 60  
CUSSM 60

● Coil spring one-step type



● Coil spring two-step type



ⓘ The view above is for Max.load.

■ Table of Components

No.	Name	Quantity	Material, Remarks	No.	Name	Quantity	Material, Remarks
①	Fixed plate	1	SS400	⑥	Slide angle	1	SS400
②	Guide pin	1	S45C 55HRC~	⑦	Hexagon socket head cap screw	1	SCM435 M12×40
③	Coil spring	1 (2)	Refer to the specifications table.	⑧	Support angle	1	SS400
④	Separate disk	1	FC250	⑨	Washer	1	FC250
⑤	Pressure disk	1	SS400				

Coil spring		Load N (kgf)		L		ℓ	ℓ <sub>1</sub>	Catalog No.	(D)	S			
Catalog No.	Number of steps	Preload	Max.load	At preload	At Max.load								
SWL 60-100	1	1428 (145.6)	3890 (396.7)	88	68	110	160	CUSSL	60	20			
SWL 60-125	1	1431 (145.9)		110	85	132	182			25			
SWL 60-150	1	1431 (145.9)		132	102	154	204			30			
SWL 60-150	1	1034 (105.4)		137	102	159	209			35			
SWL 60-175	1	1090 (111.1)		159	119	181	231			40			
SWL 60-200	1	1132 (115.5)		181	136	203	253			45			
SWL 60-250	1	1431 (145.9)		220	170	242	292			50			
SWL 60-250	1	1193 (121.6)		225	170	247	297			55			
SWL 60-300	1	1433 (146.1)		264	204	286	336			60			
SWL 60-300	1	1234 (125.8)		269	204	291	341			65			
SWL 60-300	1	1035 (105.5)		274	204	296	346			70			
SWL 60-175	2	2331 (237.7)		323	248	345	395			75			
SWL 60-200	2	2640 (269.2)		362	282	384	434			80			
SWL 60-200	2	2365 (241.2)		367	282	389	439			85			
SWL 60-200	2	2090 (213.1)		372	282	394	444			90			
SWL 60-200	2	1815 (185.1)		377	282	399	449			95			
SWL 60-250	2	2646 (269.8)		450	350	472	522			100			
SWL 60-250	2	2426 (247.3)		455	350	477	527			105			
SWL 60-250	2	2205 (224.8)		460	350	482	532			110			
SWL 60-250	2	1985 (202.4)		465	350	487	537			115			
SWL 60-300	2	2646 (269.8)		538	418	560	610			120			
SWL 60-300	2	2462 (251.1)		543	418	565	615			125			
SWL 60-300	2	2279 (232.3)		548	418	570	620			130			
SWL 60-300	2	2095 (213.6)		553	418	575	625			135			
SWL 60-300	2	1911 (194.9)		558	418	580	630			140			
SWL 60-300	2	1727 (176.1)		563	418	585	635			145			
SWL 60-300	2	1544 (157.4)		568	418	590	640			150			
SWM60-125	1	2112 (215.4)		5640 (575.1)	113	93	135			185	CUSSM	60	20
SWM60-150	1	2058 (209.9)			136	111	158			208			25
SWM60-200	1	2310 (235.6)			179	149	201			251			30
SWM60-225	1	2156 (219.9)	203		168	225	275	35					
SWM60-250	1	2117 (215.9)	226		186	248	298	40					
SWM60-300	1	2279 (232.3)	269		224	291	341	45					
SWM60-350	1	2457 (250.5)	311		261	333	383	50					
SWM60-350	1	2142 (218.4)	316		261	338	388	55					
SWM60-200	2	2860 (291.6)	358		298	380	430	60					
SWM60-200	2	2585 (263.6)	363		298	385	435	65					
SWM60-225	2	2744 (279.8)	404		334	426	476	70					
SWM60-250	2	2778 (283.3)	447		372	469	519	75					
SWM60-250	2	2558 (260.8)	452		372	474	524	80					

Order **Catalog No.** **(D)** - **S**  
 CUSSL 60 - 80  
 CUSSM 60 - 50

Days to Ship **Quotation**

Price **Quotation**