

CAM STROKE PLATES

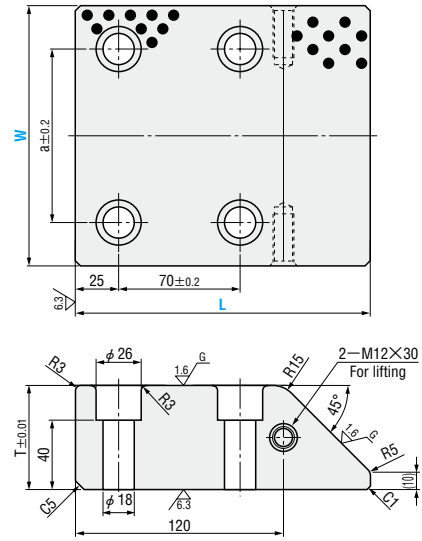
— 45° TYPE —

CAM STROKE PLATES

— 25° / 30° COMPACT TYPE —

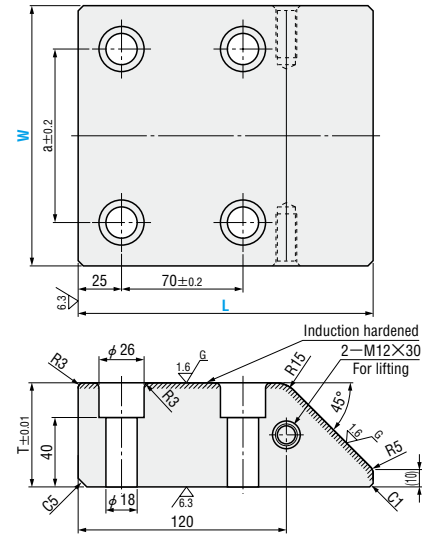


CS45W (Copper alloy type)



■ Copper alloy
Special solid lubricant (embedded)

CS45S (Steel type)

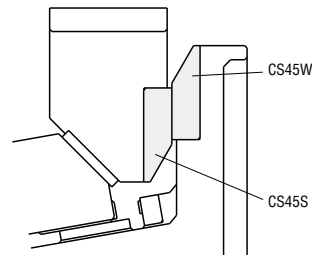


■ S45C
■ 55HRC~
(Induction hardened)

T	a	Catalog No.	W	L
60	100	CS45W CS45S	150	170
90				200
60	140		200	170
90				200



Example



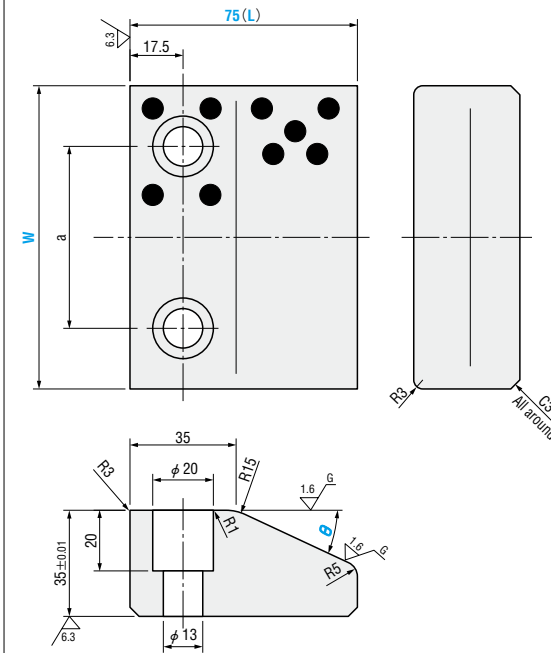
Order

Catalog No.	W	L
CS45W	200	200

Days to Ship **Quotation**

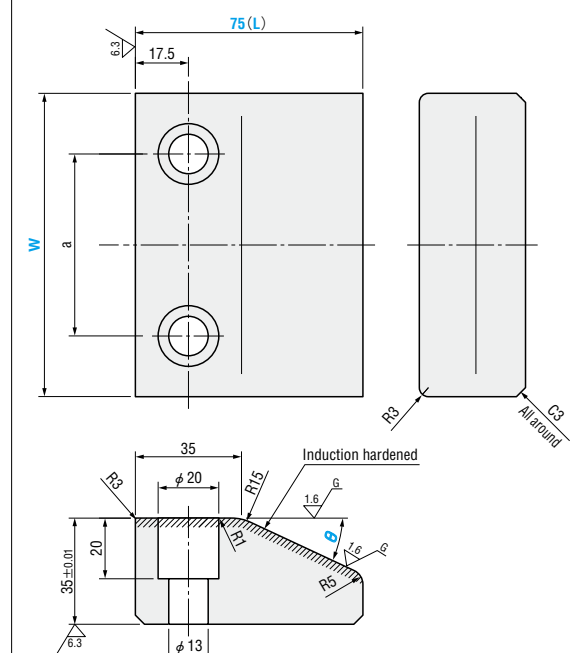
Price **Quotation**

CSCHW (Copper alloy type)



■ Copper alloy
Special solid lubricant (embedded)

CSCHS (Steel type)

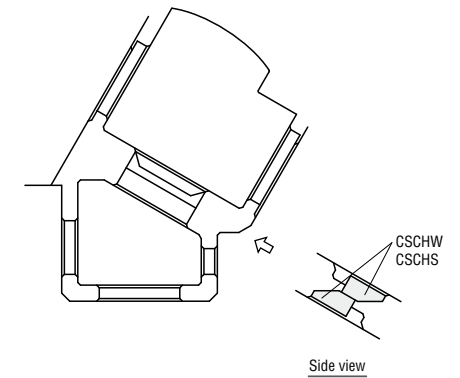


■ SK5
■ 58~62HRC
(Induction hardened)

Mounting screw Spec.	Quantity	a	Catalog No.	W	(L)	θ
						θ
M12×40	2	60	CSCHW CSCHS	100	75	25
						30
		110		150	25	
					30	



Example



Order

Catalog No.	W	(L)	θ
CSCHW	100	75	30

Days to Ship **Quotation**

Price **Quotation**