

# NAAMS STANDARD FLYING CAM UNITS

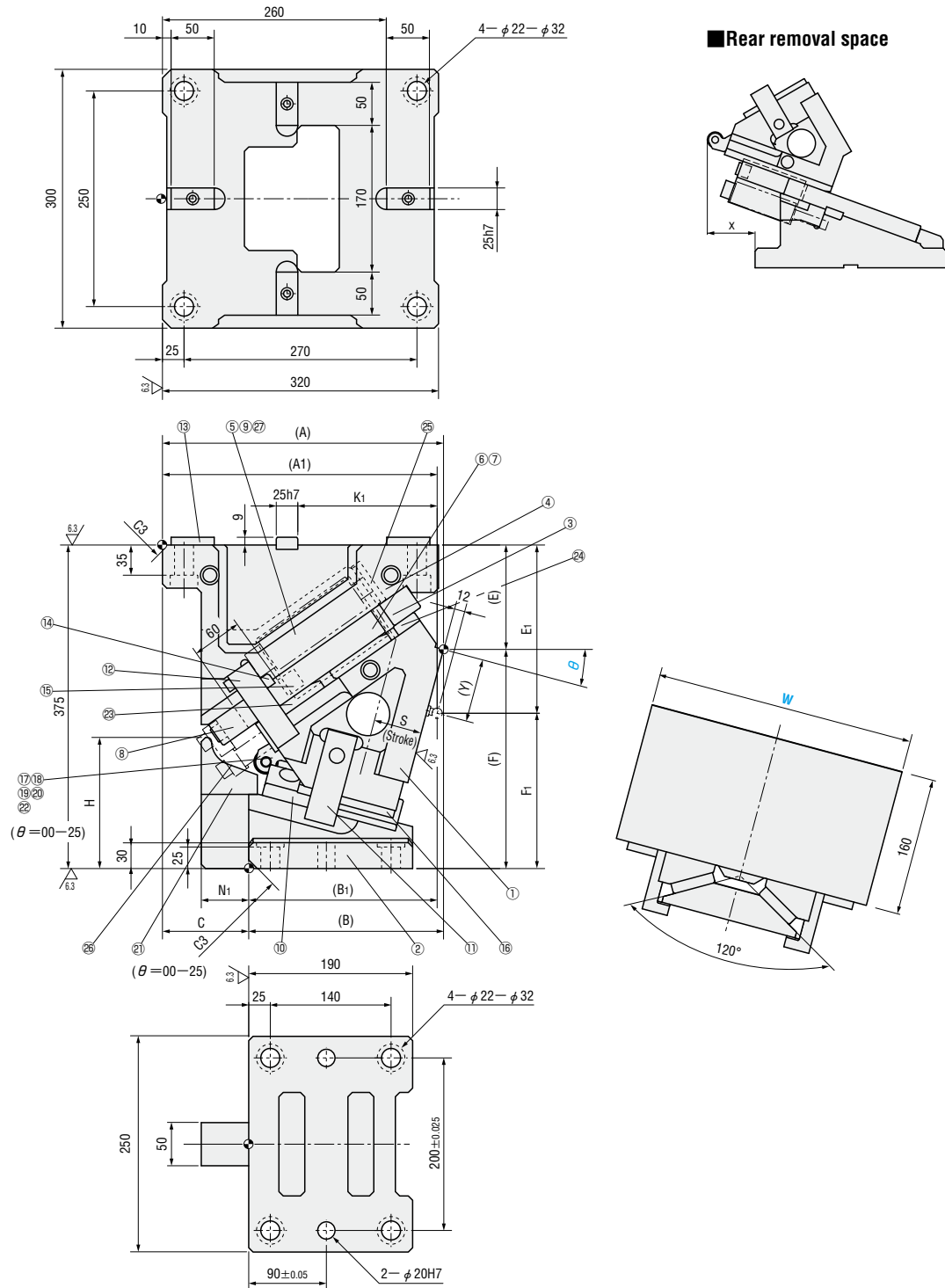
—MGFNS · MEFNS—

CAM DIAGRAM

P.1307

MGFNS300/400 ( $\theta=00-45$ )  
MEFNS300/400 ( $\theta=00-45$ )

(Economy type)



Components table P.1311

W	$\theta$	A	A <sub>1</sub>	B	B <sub>1</sub>	C	E	E <sub>1</sub>	F	F <sub>1</sub>	H	K <sub>1</sub>	N <sub>1</sub>	Y	x
300 400	00	313	325	175	187	138	98	180	277	195	114	193	55	82	45
	05	317.15	322.13	192.15	197.13	125	104.18	185	270.82	190	127	182.5		80.07	59
	10	324.13	322.54	209.13	207.54	115	111.86	190	263.14	185	139	172		77.23	67
	15	325.82	318.41	225.82	218.41	100	121.01	195	253.99	180	152	161.5	50	73.39	77
	20	327.08	314.95	242.08	229.95	85	131.59	200	243.41	175	164	151		68.43	85
	25	334.71	317.01	259.71	242.01	75	138.65	205	236.35	170	182	140.5		67.61	88
	30	327.83	302.37	272.83	247.37	55	146.89	215	228.11	160	152	130	45	71.72	108
	35	334.51	303.07	289.51	258.07	45	159.17	225	215.83	150	159.7	121	35	71.97	113
	40	325.46	284.32	300.46	259.32	25	167.3	235	207.7	140	167.7	112	30	78.3	129
45	324.84	276.04	317.84	269.04	7	179.23	245	195.77	130	178.3	103	81.01		134	

Slide Stroke S	Working force KN (tonf)	Total weight kg		Catalog No.	W	$\theta$	Spring Code
		W=300	W=400				
38.6	451.1 (46.0)	153.2	160.2	MGFNS MEFNS (Economy type)	300 400	00 05 10 15 20 25 30 35 40 45	GK ISO NGK NISO
42.6		152.5	159.5				
46.7		151.4	158.4				
50.9		154.1	161.1				
55.3		148.2	155.2				
60.0		150.2	157.3				
65.1		147.3	154.3				
70.8		148.0	155.0				
77.1		146.2	153.3				
84.5	148.6	155.6					

## Spring type

Spring Code	Spring specification	Spring load N (kgf)			Remarks	
		$\theta$	Preload	5mm before bottom dead center		
GK	K500—80	—	—	—	10668(1088)	Gas spring (Equivalent to KALLER)
ISO	φ50×203	00	1314(134.0)	8173(833.4)	9198(937.9)	Coil spring (Constant=65.7N/mm)
		05		8278(844.1)		
		10		8357(852.2)		
		15		8423(858.9)		
		20		8488(865.6)		
		25		8541(870.9)		
		30		8594(876.3)		
		35		8646(881.7)		
40	8686(885.7)					
45	8738(891.0)					
NGK	—	—	—	—	—	Without gas spring
NISO	—	—	—	—	—	Without coil spring

Order **Catalog No.** MGFNS **W** 300  **$\theta$**  40 **Spring Code** GK **Alterations** **Catalog No.** MGFNS **W** 300  **$\theta$**  15 **Spring Code** NISO **(N · NF)** N

Days to Ship **Quotation**

Price **Quotation**

Alterations	Code	Spec.
	N	Add dowel hole Add 2 dowel holes (φ16H7) on cam holder.
	NF	No nitrogen is filled into gas spring. Only for GK.

CAM UNITS & COMPONENTS