


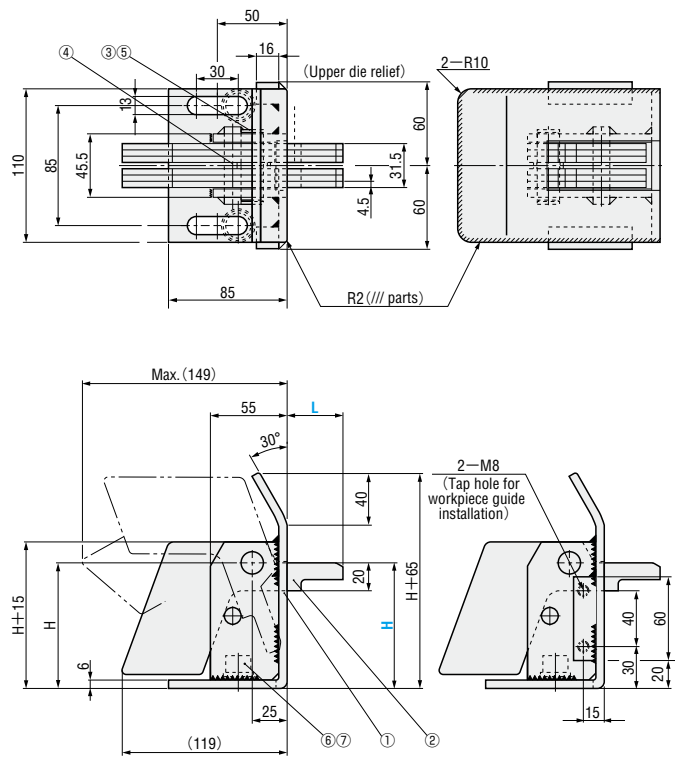
SHEET SUPPORT GAUGES

—WEIGHT ADJUST TYPE—

SHEET SUPPORT GAUGES




LKNG



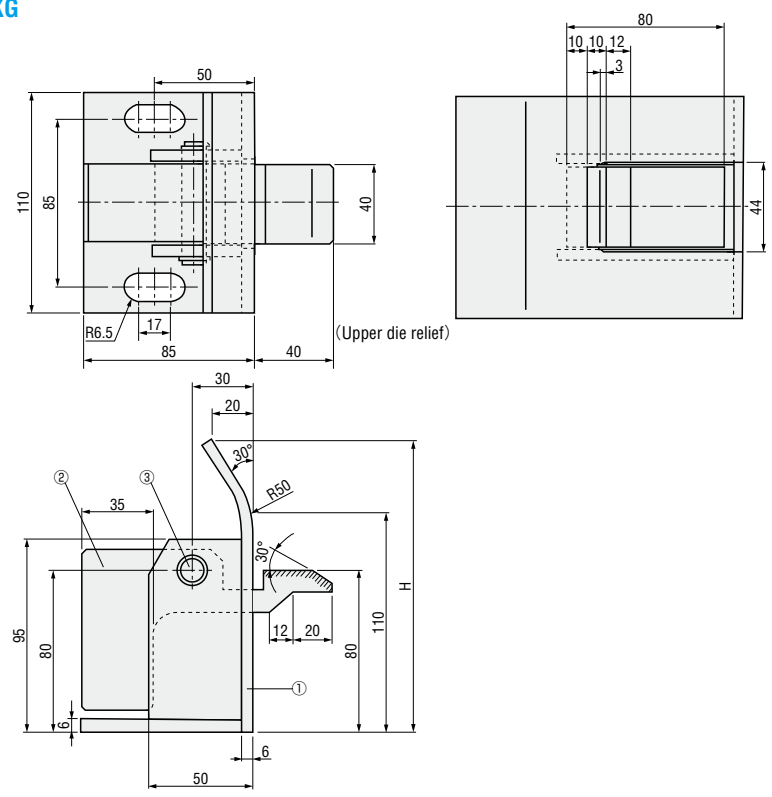
Components list

No.	Name	Qty.	Material & remarks
①	Gauge	1	SPC
②	Support plate	6	SPC
③	Dowel pin	1	S45C
④	Shim	5	SGP (1 pc installed with 4 pcs. provided.)
⑤	C-ring	2	Shaft dia. φ 16
⑥	Hexagon socket head cap bolt	2	M12×30
⑦	Washer	2	For M12

* To swing the support plate, it needs a load of approx. 500 g/pc.



LKG



* /// part is induction hardening HRC45~

Components list

No.	Name	Qty.	Material & remarks
①	Gauge (with base)	1	SS400
②	Support plate	1	S45C
③	Dowel pin	1	S45C With C-ring

Catalog No.	H	L
LKNG	90	20
	120	
	150	
	180	

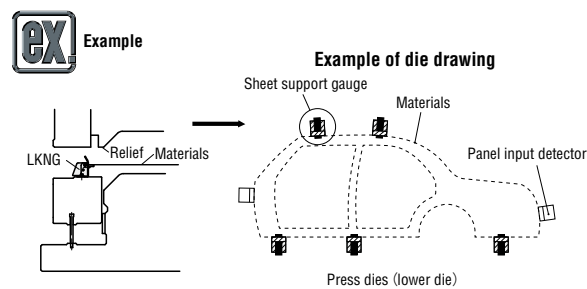
Support plate (②)

Catalog No.	L
RSTL	20
	40

Order	Catalog No.	H	L
	LKNG	90	20
	RSTL		20

Days to Ship **Quotation**

Price **Quotation**



- Can reduce damages when putting into blanks.
- Amount of support plate can be adjusted within the range from 2 pcs. to 7 pcs. (6 pcs. is as standard) according to the weight of blanks.
- Please perform upper die relief to avoid contacting gauge body and support plate. (Relief is about 10mm)

Catalog No.	H
LKG	145

Order **Catalog No.** **LKG** **H** **145**

Days to Ship **Quotation**

Price **Quotation**

- Compared to blank weight, if the weight of support plate ② is not enough, add a counterweight before using.
- To swing the support plate, it needs a load of approx. 1.2Kg.
- Please perform upper die relief to avoid contacting gauge body and support plate. (Relief is about 10mm)

CONVEYANCE COMPONENTS FOR AUTOMOTIVES