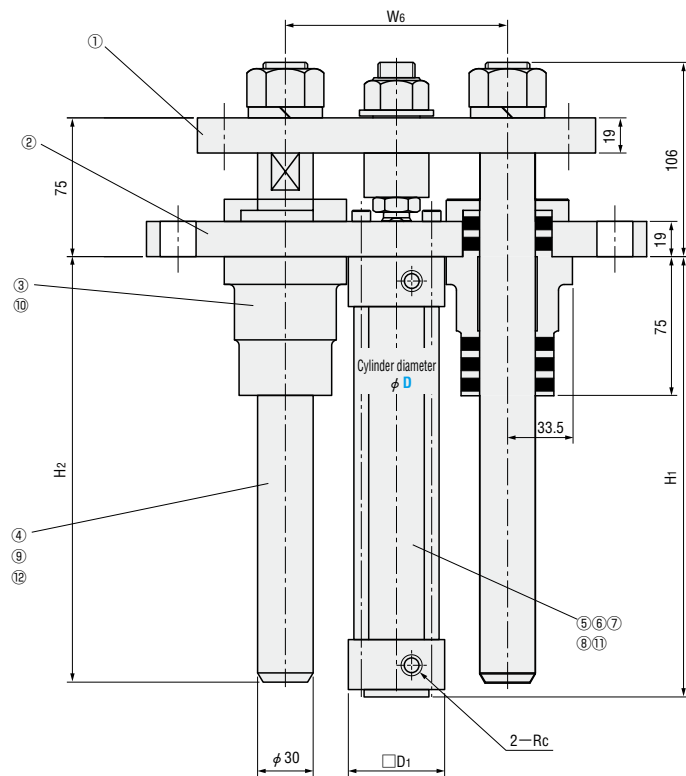
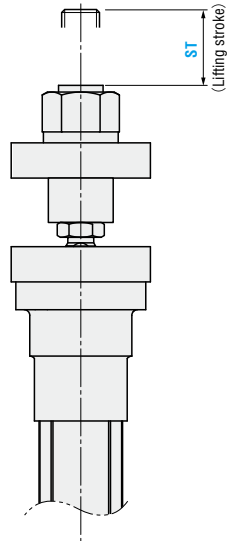
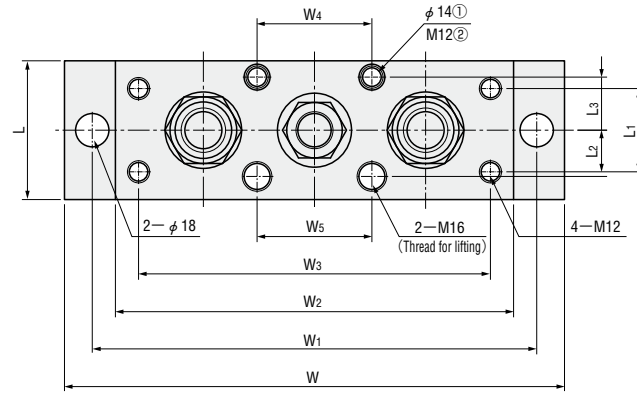


LIFTER UNITS

— COMPACT TYPE —

HAMMC



■ Components list

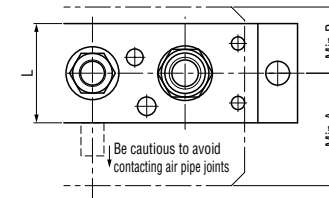
No.	Name	Qty.	Material & remarks	No.	Name	Qty.	Material & remarks
①	Lifting plate	1	Equivalent to SS400	⑦	Hexagon socket head cap bolt	4	M6 (for D = 40) M8 (for D = 63)
②	Mounting base plate	1	Equivalent to SS400	⑧	Nut	1	M20
③	Guide bushing	2	FC250 oil-free	⑨	Nut	2	M24
④	Guide bar	2	S45C HRC50 ~ 60	⑩	Hexagon socket head cap bolt	4	M12 × 35
⑤	Cylinder	1	Made by AIRTAC (for D = 40) Made by AIRTAC (for D = 63)	⑪	Flat washer	1	For M20
⑥	Link block	1	Equivalent to SS400	⑫	Spring washer	2	For M24

H1	H2	Rc	D1	W	W1	W2	W3	W4	W5	W6	L	L1	L2	L3	Catalog No.	Cylinder dia. (D)	Stroke ST
138	130	1/4	52	270	240	215	190	66	60	120	75	45	25	28	HAMMC	40	50
163	155																75
188	180																100
213	205																125
238	230																150
263	255																175
288	280																200
313	305																225
338	330																250
363	355																275
388	380																300
148	130																3/8
173	155	75															
198	180	100															
223	205	125															
248	230	150															
273	255	175															
298	280	200															
323	305	225															
348	330	250															
373	355	275															
398	380	300															



Example

See the illustration for the space for casting installation.



● Actual cylinder output
Air pressure: 500kPa
φ 40: approx. 600×0.7=420N
φ 63: approx. 1500×0.7=1050N

Cylinder dia. (D)	L	A	B
40	75	85	50
63	90	95	60



Alterations

Alteration	Code	Spec.
Cylinder change	S	Change to SMC cylinder



Order

Catalog No. HAMMC (D) 40 - ST 150



Days to Ship

Quotation



Price

Quotation