

NEST GUIDES

—CONFIGURABLE GUIDE SHAPE TYPE—

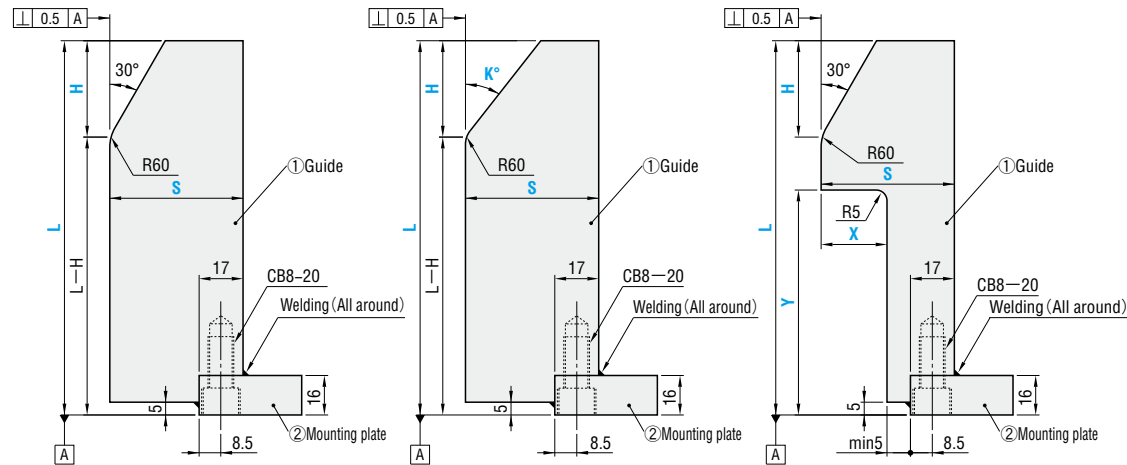
RoHS



Configurable guide width type
NGW

Configurable insertion angle type
NGWK

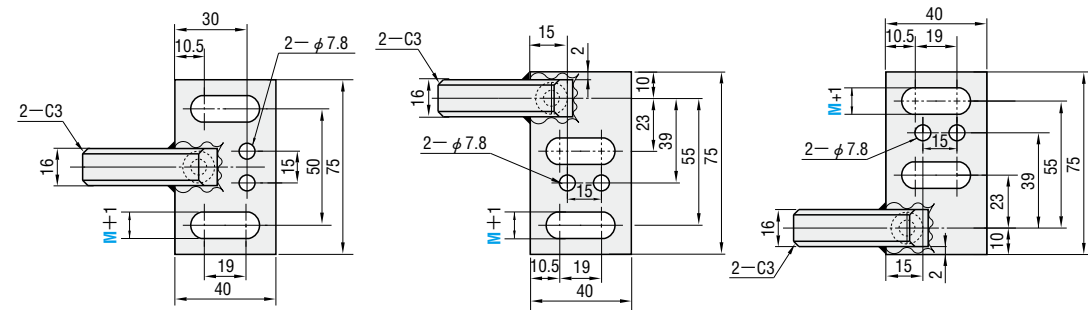
Notched guide type
NGWS



A (Center type)

BR (R type)

BL (L type)



- H is the dimension prior to R60 and GRC machining.
- The guide (1) and the mounting plate (2) are fastened by welding and bolting.
- As the guide (1) is made of S45C, it can be hardened by flame hardening or alteration HTC.

① S45C
② SS400

■ Mounting bolts and other accessories

M	A
M10	CB10—35 (2 pcs.) Spring washer for M10 (2 pcs.)
M12	CB12—35 (2 pcs.) Spring washer for M12 (2 pcs.)

■ Configurable guide width type

Catalog No.		L	H	S	Mounting bolt hole M
Type	Mounting orientation	5mm increments	5mm increments	5mm increments	
NGW	A (Center type)	65~100	20~40	35~100	M10 M12
	BR (R type)	105~150			
	BL (L type)	155~200			

S32 is possible with NGNA (P.1032).

■ Configurable insertion angle type

Catalog No.		L	H	S	K	Mounting bolt hole M
Type	Mounting orientation	5mm increments	5mm increments	5mm increments	5° increments	
NGWK	A (Center type)	65~100	20~40	32 35~100	15 ≤ K ≤ 60	M10 M12
	BR (R type)	105~150				
	BL (L type)	155~200				

S ≥ 10 + H × tanK°

■ Notched guide type

Catalog No.		L	H	S	X	Y	Mounting bolt hole M
Type	Mounting orientation	5mm increments	5mm increments	5mm increments	1mm increments	5mm increments	
NGWS	A (Center type)	65~100	20~40	32 35~100	X ≤ S - 22	Y ≤ L - H - 15	M10 M12
	BR (R type)	105~150					
	BL (L type)	155~200					



Order

Catalog No.		L	H	S	K	X	Y	M
Type	Mounting orientation							
(Configurable guide width type)	NGW	A	100	40	S35			M10
(Configurable insertion angle type)	NGWK	A	200	40	S50	K45		M12
(Notched guide type)	NGWS	BL	200	40	S40	X10	Y100	M12



Days to Ship

Quotation



Price

Quotation



Alterations

Catalog No.		L	H	S	K	X	Y	M
	NGWBL	120	40	S35				M12 - HTC

Alteration	Code	Spec.	1Code	Alteration	Code	Spec.	1Code	Alteration	Code	Spec.	1Code
	HTC	① The guide is hardened. ② ~ 45HRC	Quotation		GRC	The corner R (R60) of the guide is reduced. R10 ~ 30 10mm increments	Quotation		WSS	Provided spring washers are changed to washers for oblong holes WSS (2 pcs.).	Quotation

Alteration	Code	Spec.	1Code
	ENT	① The lower of a guide is extended. ② Height at the bottom is united with an mounting plate.	Quotation