

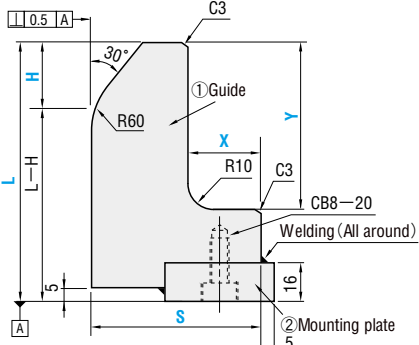


# NEST GUIDES

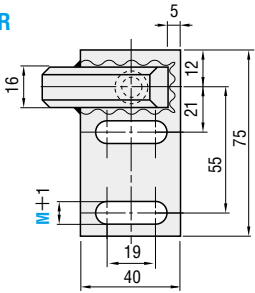
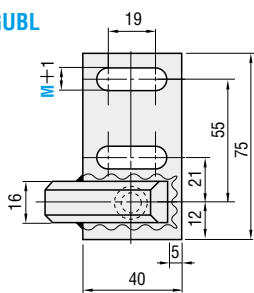
— UPPER DIE RELIEF TYPE —

# NEST GUIDES

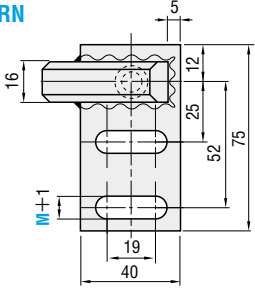
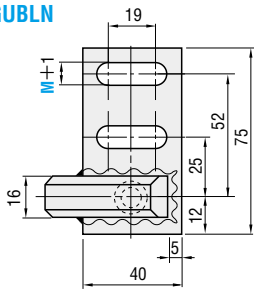
— REINFORCED TYPE (ECONOMY) —

**NGUA** **NGUBR** **NGUBL**

**NGUBRN** **NGUBLN**

Ⓜ H is the dimension prior to R60 and GRC machining.  
 Ⓜ The guide ① and the mounting plate ② are fastened by welding and bolting.  
 Ⓜ As the guide ① is made of S45C, it can be hardened by flame hardening by alteration HTC.

■ Mounting bolts and other accessories

M	A
M10	CB10—35 (2 pcs.) Spring washer for M10 (2 pcs.)
M12	CB12—35 (2 pcs.) Spring washer for M12 (2 pcs.)

Mounting orientation	Catalog No.	Ⓜ
Center	NGUA	①S45C
R type	NGUBR (N)	②SS400
L type	NGUBL (N)	

Ⓜ Alteration "WSS": Use this

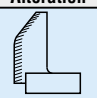
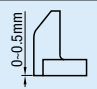

Catalog No.	5mm increments				Mounting bolt hole M	Base unit price 1~9 pieces			
	L	H	S	X (S-X) ≥ 30		Y (L-Y) ≥ 40	NGUA · NGUBR · NGUBL · NGUBRN · NGUBLN	NGUBR · NGUBL · NGUBRN · NGUBLN	NGUBR · NGUBL · NGUBRN · NGUBLN
NGUA	75~100	20~40	50~100	20~70	M10	S50~75	S80~100	S50~75	S80~100
NGUBR	105~150								
NGUBL	155~200								
NGUBRN									
NGUBLN									



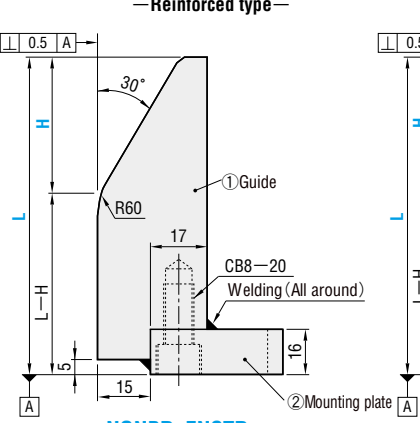
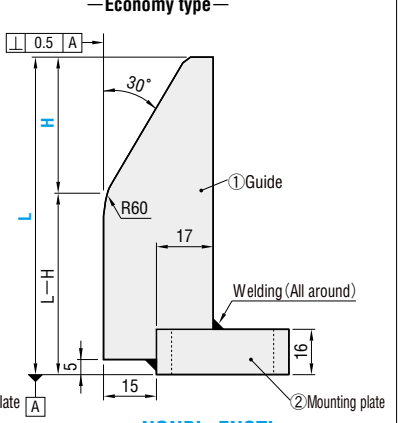
Order **Catalog No.** — L — H — S — X — Y — M  
 NGUA — 90 — 40 — S60 — X30 — Y40 — M10

Price **Quotation**

Days to Ship **Quotation**

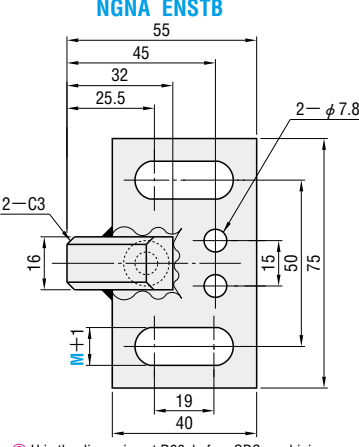
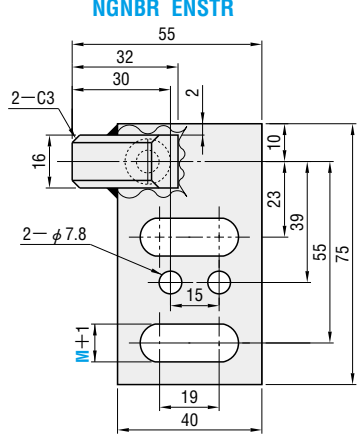
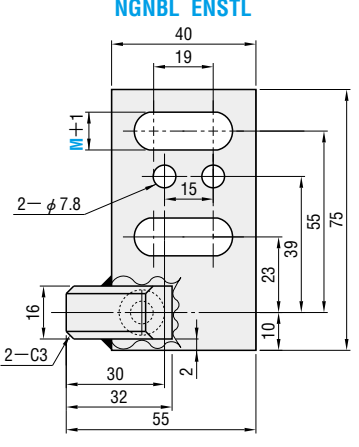
Alterations **Catalog No.** — L — H — S — X — Y — M — (HTC-GRC-WSS-ENT-BS)  
 NGUBLN — 150 — 40 — S70 — X35 — Y85 — M12 — GRC20 — WSS

Alteration	Code	Spec.	1Code
	HTC	① The guide is hardened. ② ~ 45HRC	<b>Quotation</b>
	GRC	The corner R (R60) of the guide is reduced. R10 ~ 30 10mm increments	<b>Quotation</b>
	WSS	Provided spring washers are changed to washers for oblong holes WSS (2 pcs.). Ⓜ Can be used for NGUA, NGUBRN, and NGUBLN only.	<b>Quotation</b>
	ENT	① The lower of a guide is extended. ② Height at the bottom is united with an mounting plate.	<b>Quotation</b>
	BS	Mounting plate is changed to NGUBR(NGUBL) type. Ⓜ Can be used for NGUBR and NGUBL only.	<b>Quotation</b>

**Reinforced type** **Economy type**

**NGNA ENSTB** **NGNBR ENSTR** **NGNBL ENSTL**

Ⓜ H is the dimension at R60, before GRC machining.

■ Mounting bolts and other accessories

Type	Mounting orientation	Catalog No.	Ⓜ
Reinforced type	Center	NGNA	①S45C
	R type	NGNBR	②SS400
	L type	NGNBL	

Type	Mounting orientation	Catalog No.	Ⓜ
Economy type	Center	ENSTB	①SS400
	R type	ENSTR	②SS400
	L type	ENSTL	

■ Reinforced type

Catalog No.	L 5mm increments	H 5mm increments	Mounting bolt hole M	Base unit price 1~9 pieces
NGNA NGNBR NGNBL	65~100	20~40	M10 M12	<b>Quotation</b>
	105~150			
	155~200			
	205~250			
	255~300			
305~350				

Ⓜ The guide ① and the mounting plate ② are fastened by welding and bolting.  
 Ⓜ As the guide ① is made of S45C, it can be hardened by flame hardening by alteration HTC.

Order **Catalog No.** — L — H — M  
 NGNA — 185 — 30 — M12  
 ENSTB — 185 — 40 — M10

Days to Ship **Quotation**

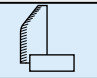
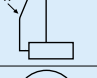
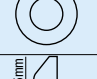
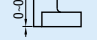
Price **Quotation**

■ Economy type

Catalog No.	L 5mm increments	H 5mm increments	Mounting bolt hole M	Base unit price 1~9 pieces
ENSTB ENSTR ENSTL	65~100	20~40	M10 M12	<b>Quotation</b>
	105~150			
	155~200			

Ⓜ The guide ① and the mounting plate ② are fastened by welding only.

Alterations **Catalog No.** — L — H — M — (HTC-GRC-WSS-ENT)  
 NGNBL — 120 — 35 — M12 — HTC-WSS

Alteration	Code	Spec.	1Code
	HTC	① The guide is hardened. ② ~ 45HRC Ⓜ Can be used for reinforced type only.	
	GRC	The corner R (R60) of the guide is reduced. R10 ~ 30 10mm increments	<b>Quotation</b>
	WSS	Provided spring washers are changed to washers for oblong holes WSS (2 pcs.).	<b>Quotation</b>
	ENT	① The lower of a guide is extended. ② Height at the bottom is united with an mounting plate.	