


NEW

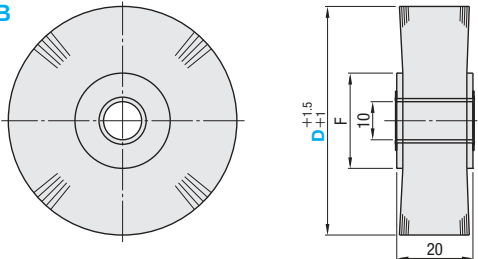
WHEEL BRUSH FOR CYLINDERS / MANDREL FOR WHEEL BRUSH / PIPE FOR EXTENSION / JOINT FOR EXTENSION
WHEEL BRUSH FOR MOLDING MACHINE / MANDREL / EXTENSION PIPE / JOINT

■ Application Use for cleaning cylinder of injection molding machine.

■ Wheel Brush for Molding Machine




M-CWB-B

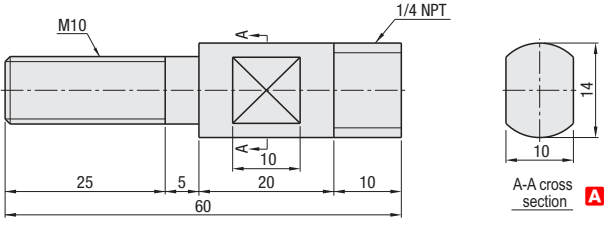


M Brush Material : Brass

■ Wheel Brush Mandrel for Molding Machine



M-CWB-M



A Accessory (included) :
M10 Nut 1 pc
M10 Washer 2 pcs

■ Wheel Brush

Inner dia. (φ)	Brush dia. F (φ)	Brush width	Part Number		Unit Price
			Type	Outer dia. D (φ)	
10	20	20	M-CWB-B	32	Quotation
				35	
				36	
				38	
				40	
				42	
	25			45	
				50	
				54	
				55	
				57	
				60	
32	64				
	65				
	69				
	70				

■ Wheel Brush Mandrel for Molding Machine


Fitting size	Part Number	Unit Price
1/4NPT	M-CWB-M	Quotation

 Order **Part Number**
M-CWB-B-32

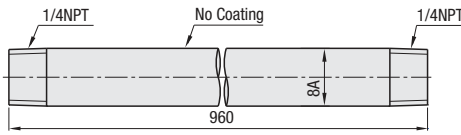
 Days to Ship **Quotation**

 Price **Quotation**

■ Extension Pipe



M-EXT-P



A Accessory (included) :
1/4 NPT Double End Female Socket 2 pcs

Fitting size	Diameter (φ)	Total length	Part Number	Unit Price
1/4NPT	8A	960	M-EXT-P	Quotation

■ Features


- The pipe is machined-made, which does not bend easily. The force applied on the pipe can be transmitted evenly to the arm of the brush.

 Order **Part Number**
M-EXT-P

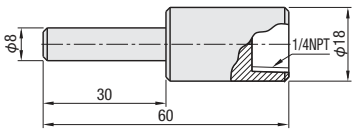
 Days to Ship **Quotation**

 Price **Quotation**

■ Extension Joint



M-EXT-J



Fitting size	Diameter (φ)	Part Number	Unit Price
1/4NPT	8	M-EXT-J	Quotation

■ Features

- It can be attached to a power tool for better work efficiency.
- It can be connected to extension shaft (M-WES) and extension pipe (M-EXT-P).

 Order **Part Number**
M-EXT-J

 Days to Ship **Quotation**

 Price **Quotation**