
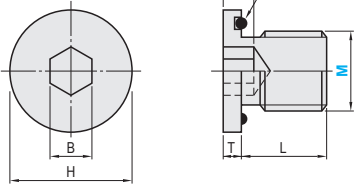


SCREW PLUGS WITH O-RING / TAPERED SCREW PLUGS / SEALING TAPE



MSWM (Screw plug with O-ring)



M S45C
H 32-42HRC
 Thread JIS B0207
S Black Oxide (Fe3O4)

H	B	t	T	L	O-ring JIS No.	Recommended tightening Torque N·m(kgf·m)	M×Pitch	Part Number		Unit Price
								Type	M	1-9 pcs
16	5	3.5	4	12	P10	15.7 {1.6}	8×1.0	MSWM	8	Quotation
19.5		4			P12.5	19.6 {2.0}	10×1.0		10	
21	6	5			P14	27.5 {2.8}	12×1.5		12	
23					P16	39.2 {4.0}	14×1.5		14	
25	8	6			P18	63.7 {6.5}	16×1.5		16	
27					P20	78.4 {8.0}	18×1.5		18	
32.5	10	6.5	5	14	P22.4	112.7 {11.5}	20×1.5	20		
35					P25	137.2 {14.0}	22×1.5	22		
38					P28	201.0 {20.5}	24×1.5	24		
40					P30	245.0 {25.0}	27×2.0	27		

⚠ The O-ring conforms with JIS Class 1 B2401 (butadiene acrylonitrile rubber). Its usable temperature range is -30°C~80°C
 ⚠ For quantities not displayed here, refer to our MISUMI website for more information.


Order

Part Number
MSWM 10



Days to Ship

Quotation

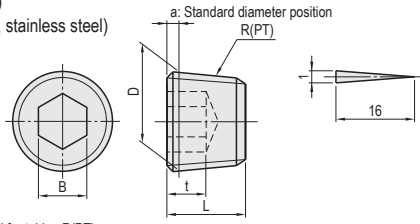

Price

Quotation

RoHS 10



MSWT (Tapered type)
MSWTS (Tapered type, stainless steel)



MSWT **M** SCM435
H 32-42HRC
S Black Oxide (Fe3O4)

MSWTS **M** SUSXM7

Thread: JIS B0203 tapered thread for tubing R(PT)
 *The thread on MSWT No. S is ANSI B2.2 tapered thread for American tubing (NPT).

D	a	L	B	t	R(PT)	Part Number		MSWT			MSWTS		
						Type	No.	Unit Price			Unit Price		
						1-14 pcs			15-99 pcs		100-499 pcs		
7.723	0.45	6	4	3.0	1/16	MSWT	*J						
7.779	0.47	6.4	4.4 ^{+0.03} / _{-0.03}	3.1			*S						
9.728	0.45	7	5	3.5	1/8	MSWT MSWTS (Stainless steel)	1						
13.157	0.7	8.9	6	4.5	1/4		2						
16.662	0.7	10	8	5	3/8		3						
20.955	0.9	12	10	6	1/2		4						
26.441		14	14	7	3/4		6						
33.249	1.1	16.5	17	9	1		8						

⚠ No. of threads per 25.4 mm. *The thread on MSWT No. S is ANSI Standard, Use a 5/32" hex wrench for mounting.
 ⚠ For quantities not displayed here, refer to our MISUMI website for more information.


Order

Part Number
MSWT J
MSWT 4

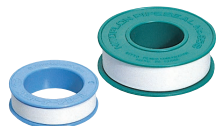

Days to Ship

Quotation


Price

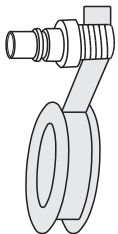
Quotation


JST8-5 (Sealing tape)
JST13-15




Heat resistance temperature	W (width)	L (length) (meter)	t (thickness)	Part Number	Unit Price 1-9 pcs
260°C	8 mm	5 m	0.1 mm	JST8-5	Quotation
	13 mm	15 m		JST13-15	

EX Example





Order

Part Number
JST8-5


Days to Ship

Quotation


Price

Quotation

■ JST8-5 is narrow and prevents from cutting protrusion when winding around screw plugs and such.