

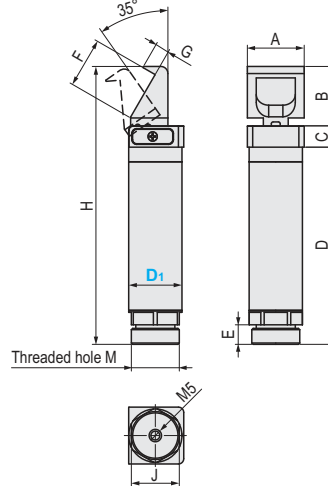
NEW

PNEUMATIC GRIPPER FOR CLAMPING

PNEUMATIC GRIPPER FOR CLAMPING

■ Pneumatic Gripper for Clamping

MGFA



M Material	S Surface treatment
Aluminum product	Anodizing

- ① This product's function is a pick-and-place component and is used for the installation of Grip fixtures.
- ② Note that It may not be compatible to assemble with other products.
- ③ When tightening, the gap is controlled to be less than 1mm.
- ④ The surface is anodized, and the color of the actual product may vary from the product picture.

Part Number	D ₁	A	B	C	D	E	F	G	H	J	M
MGFA	14	14	14	10.5	49.5	5.5	13.5	4.5	74	12	M12×1
	20	20	20.5	9	76.5	8	20.2	6	106	17	M17×1
	30	30	30	12	111	11	30.5	8	153	27	M27×1

Part Number	D ₁	Pressure range	Temperature range	Stroke	Piston hole	Closing torque at a pressure of 6 bar	Circulating air consumption	Weight (g)
MGFA	14	2.5~8 bar	-10~70℃	35°	10mm	26N · cm	0.4cm ³	25
	16mm				100N · cm	1.24cm ³	65	
	25mm				430N · cm	4.56cm ³	206	



Order

Part Number — D₁
MGFA — 14



Price

Quotation



Days to Ship

Quotation



Example

