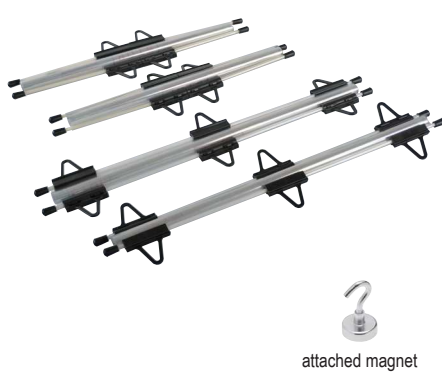


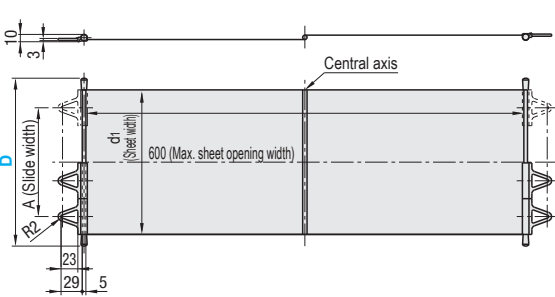
MAGNET FIXED TYPE SCATTER GUARD

■ Magnet Fixed Type Scatter Guard

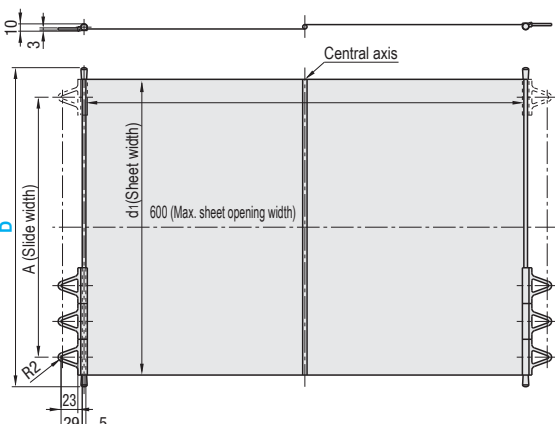


attached magnet

M-KSD-200 M-KSD-300



M-KSD-400 M-KSD-500 M-KSD-600



Material Film: PET

■ Magnet Fixed Type Scatter Guard

A	d1	No. of magnet (pcs)	Part Number		Unit Price
			Type	D	1-3 pcs
149	198	8	M-KSD	200	Quotation
280	295			300	
380	395			400	
480	495	500			
580	595	12		600	

■ Magnet (Separate)

Material	Part Number		Unit Price
	Type	Quantity (pcs)	1-3 pcs
Neodymium	M-KSDM	8	Quotation
		12	

① Product includes 2 films (operation and reverse operation side).
 ② Specification for M-KSD-300, 400, 500, 600 have been updated.



Order

Part Number
M-KSD-200
M-KSDM8



Days to Ship

Quotation



Price

Quotation

■ Application

- Attach four magnets to both the fixed & movable sides of the molds when molding stop.
- To complete the installation, attach the scatter guard to the hook of the magnet.

■ Features

- Prevents molded parts from scattering.
- The transparent film allows one to check the molded parts.
- As it is a magnetic fixed type, it is easy to make adjustment or relocate or open and close it.

REMOVAL RELATED PRODUCTS