
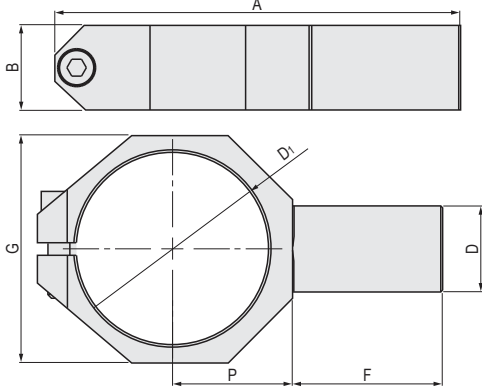





180° ROTATOR FOR AIR NIPPER


■ 180° Rotator for Air Nipper **MSCE**





Material	Surface treatment	<ul style="list-style-type: none"> ⦿ This product is used together with the MNGT—NR20 and MNGT—NR30 series air nippers featured in this catalog. ⦿ When tightening, the gap is controlled to be less than 1 mm. ⦿ The surface is anodized, and the color of the actual product may vary from the product picture.
Aluminum product	Anodizing	


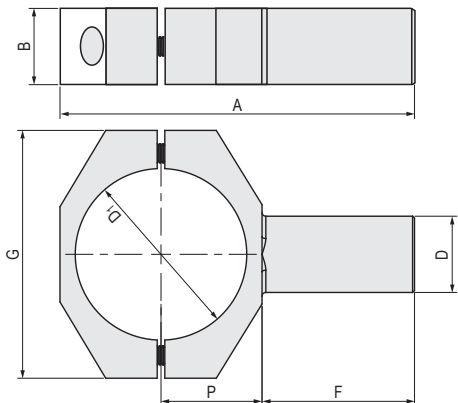
Part Number Type	No.	A	B	D	D ₁	F	G	P	Weight (g)	Applicable air nipper
	2	111	25	20	56	40	65	33	110	MNGT—NR30

 Order **Part Number MSCE1**  Days to Ship **Quotation**  Example

 Price **Quotation**





■ 180° Rotator for Air Nipper **MSCED**

Material	Surface treatment	<ul style="list-style-type: none"> ⦿ This product is used together with the MNGT—NR20 and MNGT—NR30 series air nippers featured in this catalog. ⦿ When tightening, the gap is controlled to be less than 1 mm. ⦿ The surface is anodized, and the color of the actual product may vary from the product picture.
Aluminum product	Anodizing	

Part Number Type	No.	A	B	D	D ₁	F	G	P	Weight (g)	Applicable air nipper
	56	106	25	20	56	40	76	33	123	MNGT—NR30

 Order **Part Number MSCED45**  Days to Ship **Quotation**

 Price **Quotation**

REMOVAL RELATED PRODUCTS