
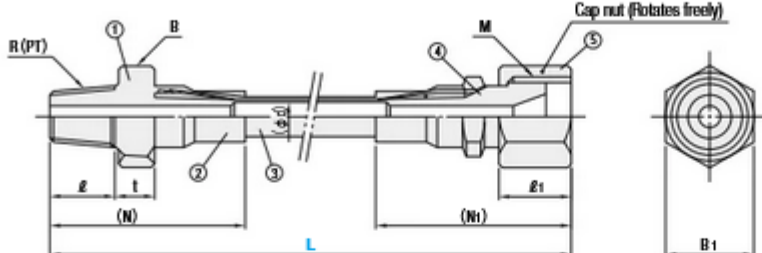


MOLD-COOLING FLEXIBLE HOSES



FSHP




Special Plugs

FSHG	FSHGR	FSHHL
FSHL	FSHLR	FSHLS

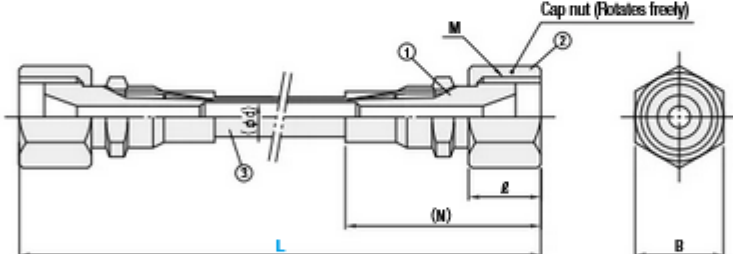
Material: ① Nipple C3604
 ② Collar C3604
 ③ Wire braid SUS304
 ④ Sleeves C3604
 ⑤ Cap nut C3604

Thread: JIS B0203 tapered thread for tubing R (PT)

R (PT)	N	ℓ	t	B (side to side)	Hose Internal Dia. φd	M × Pitch	N ₁	ℓ ₁	B ₁	Part Number		L		
										Type	No.	50mm increments	100mm increments	Selection
1/8	34.5	10	6	14	4.70	M12 × 1.25	41.0	16	16	FSHP (Male and female plugs)	1	200-700	800-1000	1200 1500 2000 3000 4000 5000
1/4	42.0	12	7	17	7.92	M16 × 1.5	48.0	19	21		2			
3/8	46.5	13	8	19	10.31	M20 × 1.5	49.5		24		3			



FSHF



Special Plugs

FSHG	FSHGR	FSHHL
FSHL	FSHLR	FSHLS

Material: ① Sleeve C3604
 ② Cap nut C3604
 ③ Wire braid SUS304

Hose Internal Dia. φd	M × Pitch	N	ℓ	B	Type		L		
					Type	No.	50mm increments	100mm increments	Selection
4.7	M12 × 1.25	41	16	16	FSHF (Both ends: Female)	1	200-500	600-1000	1200 1500 2000 3000 4000 5000
7.92	M16 × 1.5	48	18.5	21		2			
10.31	M20 × 1.5	49.5	18.5	24		3			

Order -
 FSHP 1 - 900

Delivery

Features

Heat resistance and cold resistance

Non-absorptive Storage life

Use of possible fluids

This flexible hose is much more flexible than conventional metal flexible hoses. The internal hose is made of fluoropolymer resin (PTFE). The pipe consists of PTFE which is extrusion-molded and braided tightly, so it has greatly improved impact pressure resistance. Can be used continuously at temperature range of -54°C - +200°C. However, this applies only to this product on its own. PTFE does not absorb moisture, so fluid does not cure out from the pipe side. Unlike a rubber hose, secular change of PTFE is small and its life remains unchanged under all weather conditions. Water/Oil

Specifications

Size	1/8	1/4	3/8
Working pressure (MPa) [kgf/cm ²]	10.3 (103)	17.2 (175)	13.8 (140)
Destructive pressure (MPa) [kgf/cm ²]	20.6 (210)	82.3 (840)	55.2 (562)
Minimum bending radius (mm)	50.0	102	132
Useable temperature range (standard use)	-54°C - +200°C		
External diameter of hose (mm)	(8.0)	(11.3)	(13.9)
Vacuum application	Unavailable		

※ Values in () are for reference only.