


NEW

MOUNTING BRACKET

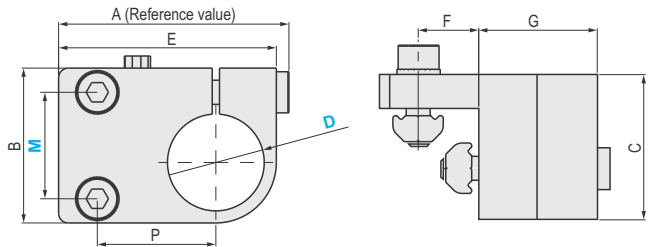
MOUNTING BRACKET

Mounting Bracket (with T-Nuts)



M Material	S Surface treatment
Aluminum product	Anodizing

MSMBE



⚠ This product is used together with the profile grip and its components. Note that It may not be compatible to assemble with other products.
 ⚠ When tightening, the gap is controlled to be less than 1mm.
 ⚠ The surface is anodized, and the color of the actual product may vary from the product picture.
 ⚠ 'A' value is only for reference use.

Part Number	D	M	A	B	C	E	F	G	P	Weight (g)	Type of T-Nuts
MSMBE	14	15	42.6	25	25	40	12.5	19.5	22	50	MPTN5—15
	20	22	51.1	32	30	45	12.5	24.5	24.5	70	MPTN5—22
	20	25	54.1	35	35	54.5	20	26.5	33	95	MPTN5—25
	30	30	58.1	40	30	55	12.5	34.5	29.5	90	MPTN5—30
	30	35	64.1	45	40	65.5	20	37.5	39	150	MPTN5—35



Order

Part Number — D — M
MSMBE — 14 — 15



Example



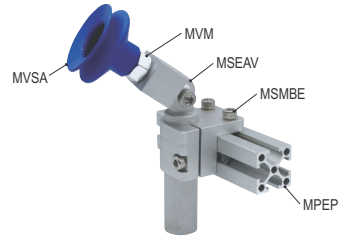
Days to Ship

Quotation




Price

Quotation



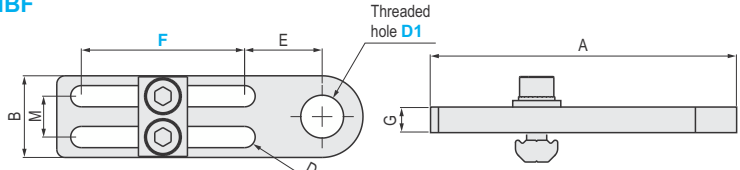
REMOVAL RELATED PRODUCTS

Mounting Bracket (with T-Nuts)



M Material	S Surface treatment
Aluminum product	Anodizing

MSMBF



⚠ This product is used together with the profile grip and its components. Note that It may not be compatible to assemble with other products.
 ⚠ When tightening, the gap is controlled to be less than 1mm.
 ⚠ The surface is anodized, and the color of the actual product may vary from the product picture.
 ⚠ 'A' value is only for reference use.

Part Number	D1	F	A	B	D	E	G	M	Weight (g)	Type of T-Nuts	
MSMBF	M10	40	75	20	5.1	19	6	10	30	MPTN5—10	
		60	105	25		26.5		15	40	MPTN5—15	
	M12	40	75	20		19		10	30	MPTN5—10	
		60	105	25		26.5		15	47	MPTN5—15	
	M14	40	75	20		19		10	20	MPTN5—10	
		60	105	25		26.5		15	40	MPTN5—15	
	M16	40	75	20		19		10	20	MPTN5—10	
		60	105	25		26.5		15	40	MPTN5—15	
	M20	40	75	25		19		15	30	MPTN5—15	
		60	105	25		26.5		15	35	MPTN5—15	
	G18	40	75	20		5.2		16.5	10	25	MPTN5—10
		60	105	25				26.5	15	42	MPTN5—15



Order

Part Number — D1 — F
MSMBF — M10 — 40



Example



Days to Ship

Quotation



Price

Quotation

