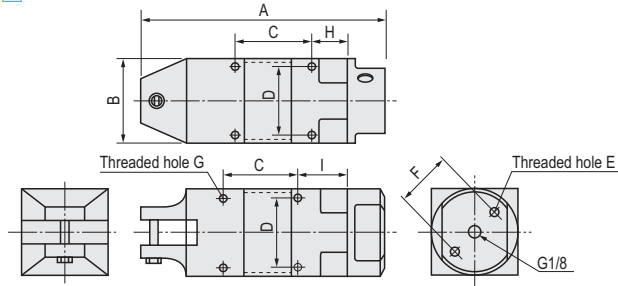


NEW

AIR NIPPERS
AIR NIPPERS

■ Square Type

MNGT-NS□□



M Material	S Surface treatment
Aluminum product	Anodizing

① Use on either an automatic machine or jig.
② The surface is anodized, and the color of the actual product may vary from the product picture.

Part Number	A	B	C	D	E	F	G	H	I
MNGT-NS20	129	45	40	36	M5 Depth 12	30	M4 Depth 7	19	24
MNGT-NS30	170	56	60	46	M6 Depth 12	40	M5 Depth 10	20	30

■ Cutting Force Specification Table

Part Number	Applicable Soft Plastic Cutting Surface (mm)	Applicable Hard Plastic Cutting Surface (mm)	Air Pressure
MNGT-NS20/NR20	7.0	5.0	0.5~0.6MPa
MNGT-NS30/NR30	10.0	6.5	

① Soft plastics: PP, PE, PS, PVC, PMMA, AS, Polyurethane, etc.
② Hard plastics: PPS, PA, PBT, LCP, ABS, POM, PC, Glass Resin, etc.



Order

Part Number
MNGT-NS20



Days to Ship

Quotation

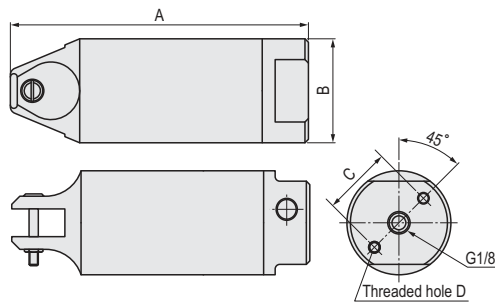


Price

Quotation

■ Round Type

MNGT-NR□□



M Material	S Surface treatment
Aluminum product	Anodizing

① Use on either an automatic machine or jig.
② The surface is anodized, and the color of the actual product may vary from the product picture.

Part Number	A	B	C	D
MNGT-NR20	129	45	30	M5 Depth 12
MNGT-NR30	165	56	40	M6 Depth 12



Order

Part Number
MNGT-NR20



Example



Days to Ship

Quotation



Price

Quotation

