
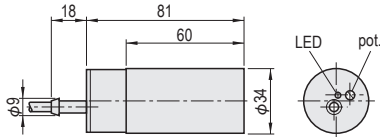


■ Application Detects whether the material is empty or full. When detected as empty, an empty signal can be output.

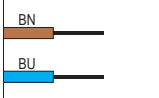
■ Capacitance Level Meter



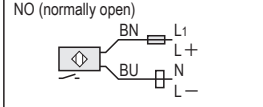
SSWSE



④ Install the level meter at a place where it can detect the presence of materials such as glass or acrylic plate.



Refer to **P.22** for information on the Alarm Output Box (SBDC4)




④ SBDC4 (P.22) can be used easily to construct warning lamps, alarm buzzers and external output. SBDC4 is also equipped with an anti-chattering timer.

Rated detection distance	Operating power supply voltage range	Power consumption	Sensitivity adjustment	Operating ambient temp.	Lead wire		Part Number	Unit Price
					No. of core	Length		
3~20 (mm)	AC/DC 20~250V	0.24W	Yes	-25~70°C	2	0.3 m	SSWSE	Quotation

Part Number	Code	Spec.	1Code
SSWSE	EK3	Extends the lead wire by 3 m.	Quotation
	EK5	Extends the lead wire by 5 m.	
	EK10	Extends the lead wire by 10 m.	
	EK15	Extends the lead wire by 15 m.	
	EK20	Extends the lead wire by 20 m.	

④ The level meter and extension cable are connected with a connector.




Order

Part Number
SSWSE


—

Lead wire extension
EK10



Price

Quotation




Days to Ship

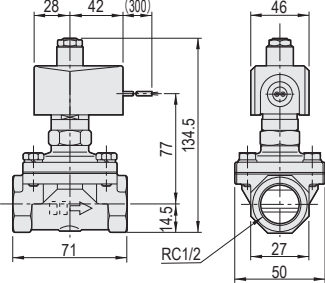
Quotation


■ Application Can stop the supply of cooling water and the like when errors are output (water leakage detection, etc.). The solenoid valve closes with external output.

■ 24V Solenoid Valve

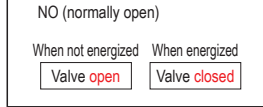


SASVC15





Refer to **P.22** for information on the Alarm Output Box (SBDC4)




④ SBDC4 (P.22) can be used to output error detection of sensors such as SSWR and close the solenoid valve.

Pipe diameter	Operating fluid	Usable temp.	Ambient temp.	Operating pressure	Operating power supply voltage range	Power consumption	Lead wire		Mounting orientation	Part Number	Unit Price
							No. of core	Length			
15A	1/2 Water Air	-10~60°C	-10~60°C	2 MPa	DC24V	14W	2	0.3 m	Flexible	SASVC15	Quotation

- ④ Avoid use below 0.02 MPa, as the seal will be unstable.
- ④ Manufacturer: CKD Model: ADK12 Series is used.
- ④ The solenoid valve and extension cable are connected with a connector.

Part Number	Code	Spec.	1Code
SASVC15	EK3	Extends the lead wire by 3 m.	Quotation
	EK5	Extends the lead wire by 5 m.	
	EK10	Extends the lead wire by 10 m.	
	EK15	Extends the lead wire by 15 m.	
	EK20	Extends the lead wire by 20 m.	




Order

Part Number
SAVSVC15


—

Unit Price
EK5



Days to Ship

Quotation



Price

Quotation