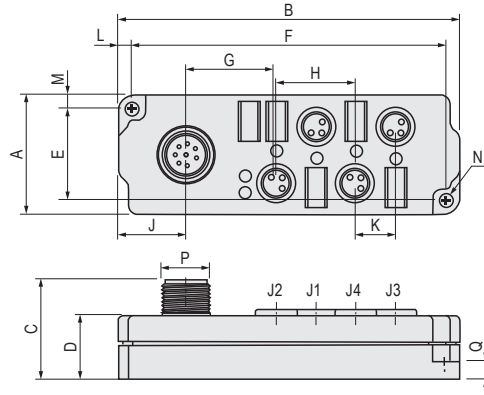


# JUNCTION BOX FOR SWITCH SIGNAL

## 4-In-1-Out Junction Box for Switch Signal

### MAJB4



Part Number		V type outlet mode (Vertical)	A	B	C	D	E	F	G	H	J	K	L	M	N	P	Q	Applicable connector model	Weight (g)
Type	Switch type																		
MAJB4	N (NPN Switch)	M12	30	86	25	16	23	79	22.8	20	17	10	3.5	3.5	φ 3.5	M12×1	4.5	MELKB4—M12 MELKC4—M12 MELKD4—M8	110
	P (PNP Switch)																		



Order

Part Number	—	V
MAJB4N	—	M12



Price

**Quotation**

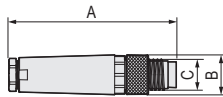


Days to Ship

**Quotation**

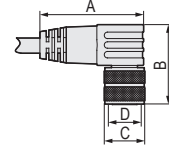
## 3-Pin Signal Box Connector

### MELKD4



## 14-Pin Signal Box Cable Connector

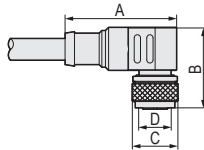
### MELKB4



Part Number	M fixing thread	A	B	C	Applicable junction box	Part Number	M fixing thread	A	B	C	D	Applicable junction box
MELKD4	M8	47	φ 12	M8×1	MAJC8 MAJD8 MAJB4	MELKB4	M12	35	40	φ19.6	M12×1	MAJB4

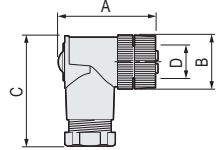
## 8-Pin Signal Box Cable Connector

### MELKC4



## 8-Pin Signal Box Connector

### MELKE8



Part Number	M fixing thread	A	B	C	D	Applicable junction box	Part Number	M fixing thread	A	B	C	D	Applicable junction box
MELKC4	M12	35.5	25.5	φ 15	M12×1	MAJB4	MELKE8	M16	48.8	φ19	37	M16×0.75	MAJC8



Order

Part Number	—	M
MELKD4	—	M8
MELKB4	—	M12
MELKC4	—	M12
MELKE8	—	M16



Price

**Quotation**



Days to Ship

**Quotation**