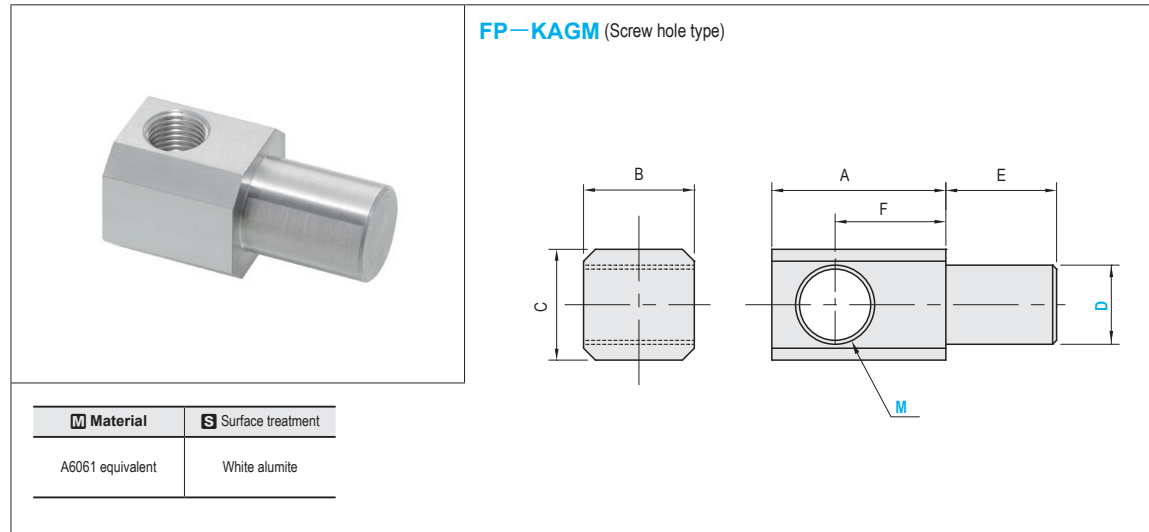


ANGLE ADJUSTMENT BRACKET

—SCREW HOLE TYPE—



⚠ This product is to be used in combination with parts for chuck plates listed in this catalog.
Note that it may not be assemblable with other products.
*1 The weight is an approximate value. Consider it a guideline.

Applicable holder	Applicable Suction Bracket	Weight (g)*1	M	A	B	C	E	F	Part Number		D	Unit price 1~10 pcs
									Type	M		
AT-PHC	VC-KNG	16	M10×P1.0	22	14	14	14	14	FP-KAGM	10	10	Quotation
		41			20	20	20	14			15	

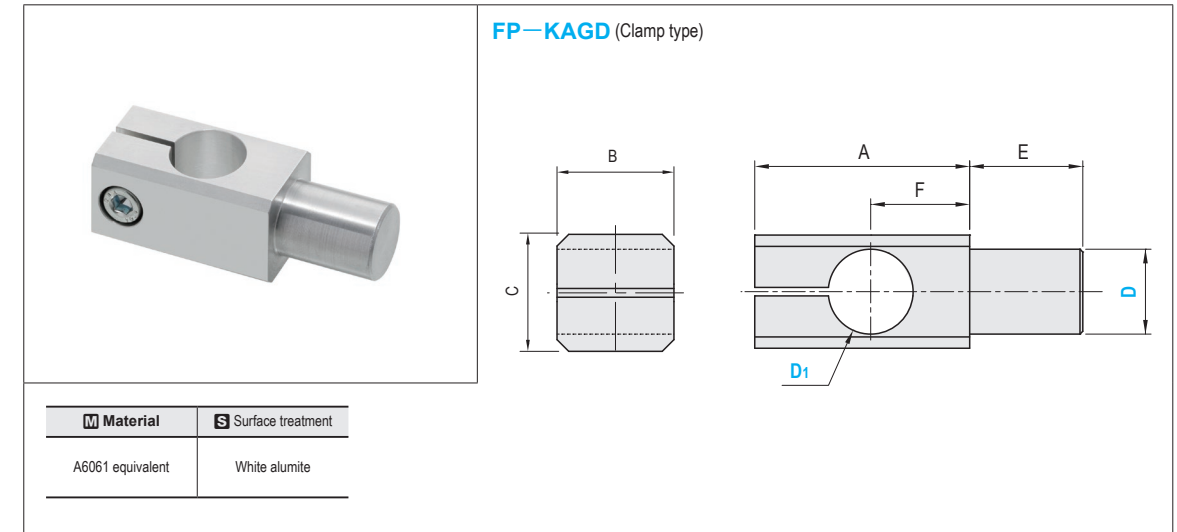
⚠ Please check with our WOS for the purchase order that exceeds the displayed quantity.

Order **Part Number** — **D**
FP-KAGM10 — 10

Days to Ship **Quotation**

ANGLE ADJUSTMENT BRACKET

—CLAMP TYPE—



⚠ This product is to be used in combination with parts for chuck plates listed in this catalog.
Note that it may not be assemblable with other products.
⚠ When clamping, tighten with a slit of under 1 mm as a guide.
*1 The weight is an approximate value. Consider it a guideline.

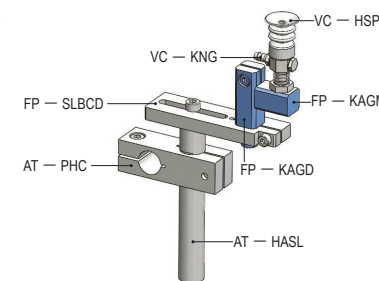
Applicable holder	Applicable Suction Bracket	Weight (g)*1	A	B	C	E	F	Supplied bolts	Part Number		D	Unit price 1~10 pcs
									Type	D1		
AT-PHC	VC-KNGB	23	36	14	14	14	20	M4-8: 1 pc	FP-KAGD	10	10	Quotation
		52	38	20	20	20	17.5	M5-12: 1 pc			15	

⚠ Please check with our WOS for the purchase order that exceeds the displayed quantity.

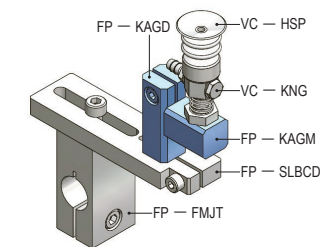
Order **Part Number** — **D**
FP-KAGD15 — 15

Days to Ship **Quotation**

ex Example



In addition to the angle, it can be adjusted in the slide and height directions.



The angle and slide direction can be adjusted. Although the height cannot be adjusted, it can be finished compactly.