


EJECTOR LEADER PINS FOR MIDDLE · LARGE MOLD

—STEPPED TYPE/BOLT HOLE TYPE—

EJECTOR LEADER BUSHINGS

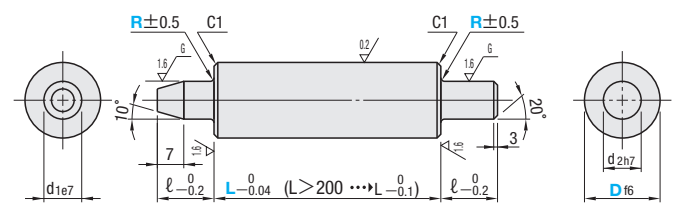
—PLAIN/LONG S DIMENSION TYPE—

Ⓜ Non JIS material definition is listed on P.1351 - 1352




RoHS

EGPDX (Df6)

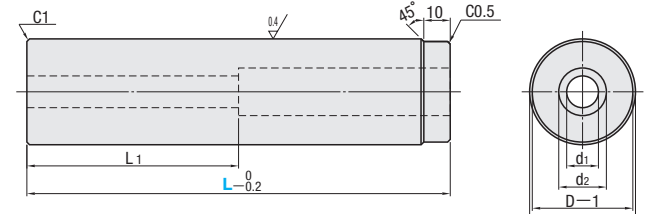


Ⓜ SUJ2 Ⓜ L dimension part 58HRC~ (Induction hardening)



RoHS

EGPDHE (De7)
EGPDPHF (Df6)



Ⓜ SUJ2 Ⓜ 58HRC~ (Induction hardening) Ⓜ Mounting bolt (CB) 1Pc.

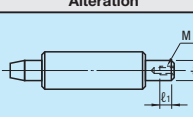
Df6	d1e7	d2h7	ℓ	Part Number		L	R	U/Price
				Type	D			
30	20	20	20	EGPDX	30	150~200	1	Quotation
					30	205~250		
					30	255~300		
40	30	30	30	EGPDX	40	150~200	2	Quotation
					40	205~250		
					40	255~300		
50	30	30	30	EGPDX	50	150~200	1	Quotation
					50	205~250		
					50	255~300		

D	D tolerance		d1	d2	L1	A	Part Number		L
	EGPDHE (De7)	EGPDPHF (Df6)					Type	D	
25	-0.040 -0.061	-0.020 -0.033	9	14	75	CB 8-90	EGPDHE (De7)	25	150~200
									205~250
									255~300
									305~350
35	-0.050 -0.075	-0.025 -0.041	11	18	80	CB10-100	EGPDHE (De7)	35	150~200
									205~250
									255~300
									305~350
40	-0.050 -0.075	-0.025 -0.041	11	18	80	CB10-100	EGPDPHF (Df6)	40	150~200
									205~250
									255~300
									305~350
50	-0.050 -0.075	-0.025 -0.041	14	20	110	CB12-130	EGPDPHF (Df6)	50	205~250
									255~300
									305~350
									350~400

Order Part Number — L — R
EGPDX30 — 155 — 2

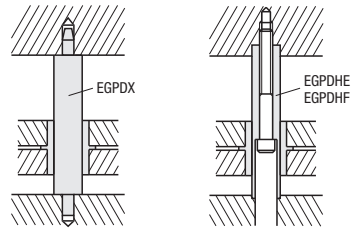
Days to Ship **Quotation**


Alterations Part Number — L — R — (MC)
EGPDX30 — 150 — 2 — MC

Alteration	Code	Spec.	1Code
	MC	Adds a tap for extracting. d2 M ℓ1 20 M10 15 30 M12 18 Ⓜ Available for EGPDX	Quotation

ex Example

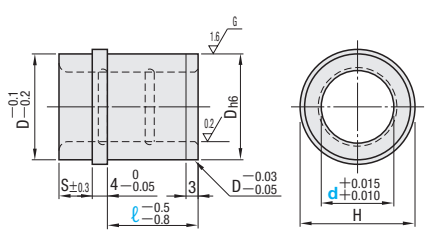
Pin : Two sides stepped type
Bushing : Plain type
(☞ Right page)






RoHS

EGBH (Plain type)

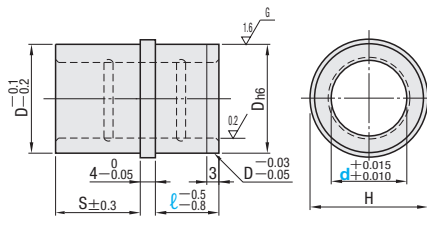


Ⓜ SUJ2 Ⓜ 58HRC~



RoHS

EGBN (Long S dimension type)



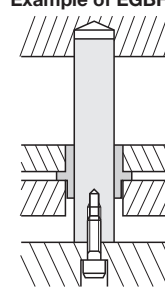
Ⓜ SUJ2 Ⓜ 58HRC~

Order Part Number — ℓ
EGBH8 — 10
EGBN13 — 10

Days to Ship **Quotation**

ex Example

Example of EGBH Usage



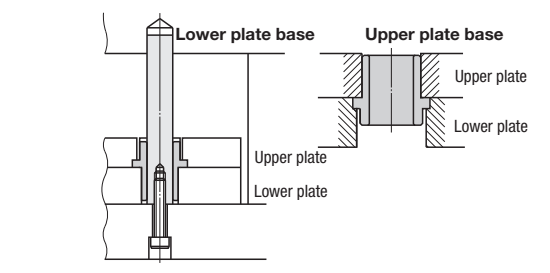
S	H	Dh6	Part Number		ℓ	U/Price
			Type	d		
8	19	16	0	EGBH	8	10 13
					8	15
					8	10 13 15 20
10	23	20	0	EGBH	10	10 13
					10	10 13 15
					10	20 25
10	25	22	0	EGBH	13	10 13 15
					10	10 13 15
					10	20 25 30
10	28	25	-0.013	EGBH	16	10 13 15
					10	20 25
					10	10 13 15 20 25 30
10	33	30	0	EGBH	20	13 15
					10	20 25 30
					10	20 25 30
15	43	40	0	EGBH	30	13 15 20 25 30
					15	15 20 25 30
					15	20 25 30
20	48	45	0	EGBH	35	20 25 30
					20	20 25 30
					20	25 30
20	55	52	0	EGBH	40	20 25 30
					20	25 30
					20	25 30
20	65	62	-0.019	EGBH	50	25 30
					20	25 30
					20	25 30

S	H	Dh6	Part Number		ℓ	U/Price
			Type	d		
25	22	0	EGBN	13	10	
					13	15 20
					13	15 20
28	25	-0.013	EGBN	16	10	
					13	15 20
					13	20 25
33	30	0	EGBN	20	10 15	
					13	20 25
					13	20 25
38	35	0	EGBN	25	10	
					13	15 20 25
					13	20 25 30
43	40	-0.016	EGBN	30	20 25 30	
					13	20 25 30
					13	20 25 30
48	45	0	EGBN	35	20 25 30	
					13	20 25 30
					13	20 25 30
55	52	0	EGBN	40	20 25 30	
					13	20 25 30
					13	20 25 30
65	62	-0.019	EGBN	50	20 25 30	
					13	20 25 30
					13	20 25 30

Price **Quotation**

Example of EGBN Usage

- To use in commercial mold base, there are two ways—whether to make the counterbore on the upper or lower plate. In contrast to the short guide type EGBH ejector leader bushings, EGBN and EGBNZ/EGBZ/EGBSK (P.970) provide a longer leading distance regardless of which plate the counterbore is based.



Components of Ejector Space