

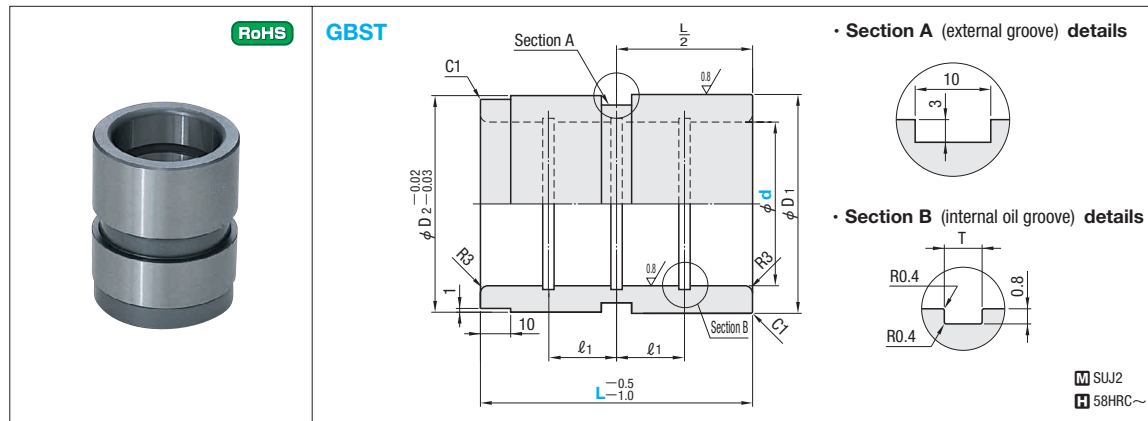
# LEADER BUSHINGS FOR MIDDLE · LARGE MOLD/STOPPER PLATES FOR LEADER BUSHINGS FOR LARGE MOLD

—STRAIGHT TYPE—

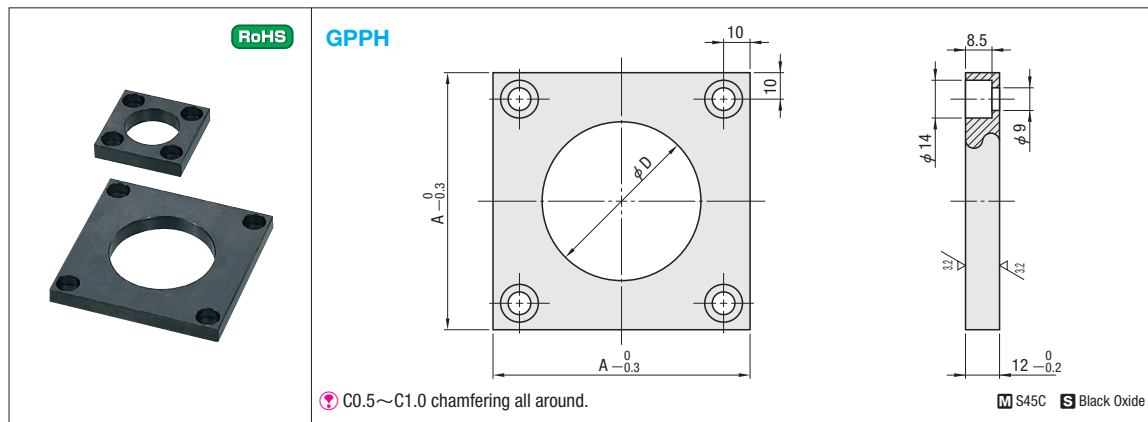
# LEADER PINS FOR RUBBER MOLD/LEADER BUSHINGS FOR RUBBER MOLD

—TAPER TYPE · SPHERICAL TYPE—

Ⓜ Non JIS material definition is listed on P.1351 - 1352



D1	D2	d	l1	T	Part Number Type	d	L	U/Price 1~9
55	+0.05 +0.04	55	-0.02 -0.03	4	GBST	40	70	Quotation
70	+0.07 +0.06	70				50	80	
80	+0.08 +0.07	80				60	100	
100	+0.10 +0.08	100				80	120	



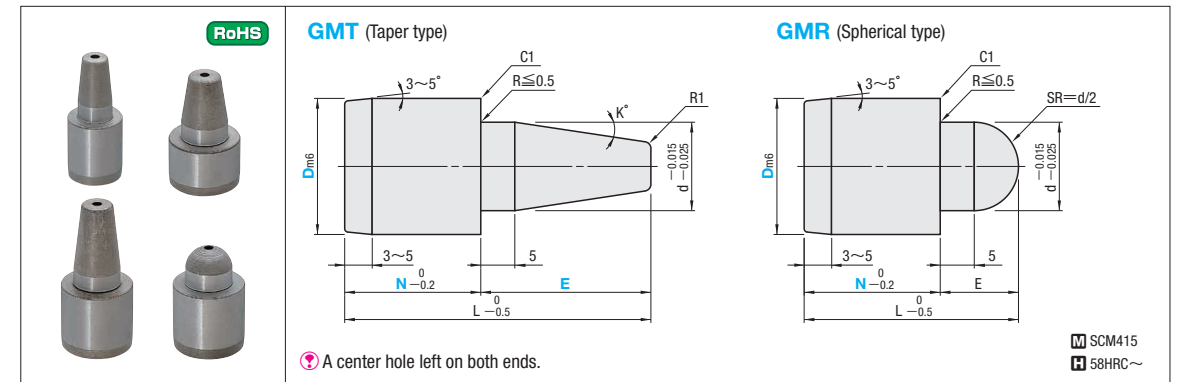
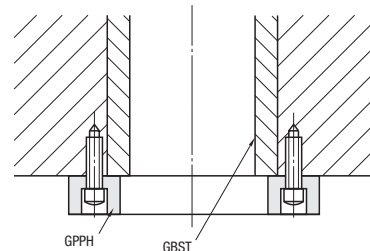
A	D	Applicable leader pin bushings Internal diameter d	External diameter D	Part Number Type	No.	U/Price 1~9
80	45	40	55	GPPH	40	Quotation
100	55	50	70		50	
110	65	60	80		60	
140	85	80	110		80	

Order Part Number — L  
GBST40 — 70  
GPPH40

Days to Ship Quotation

Price Quotation

EX Example



■ Taper type

Press-fit section Dm6	d	L	K°	Part Number Type	D	N	E	U/Price 1~9
16	+0.018 +0.007	10		GMT	16	14	14	Quotation
						19	19	
						14	14	
20	+0.021 +0.008	13		GMT	20	14	24	Quotation
						29	29	
						34	34	
						14	19	
						19	24	
						29	29	
						34	34	

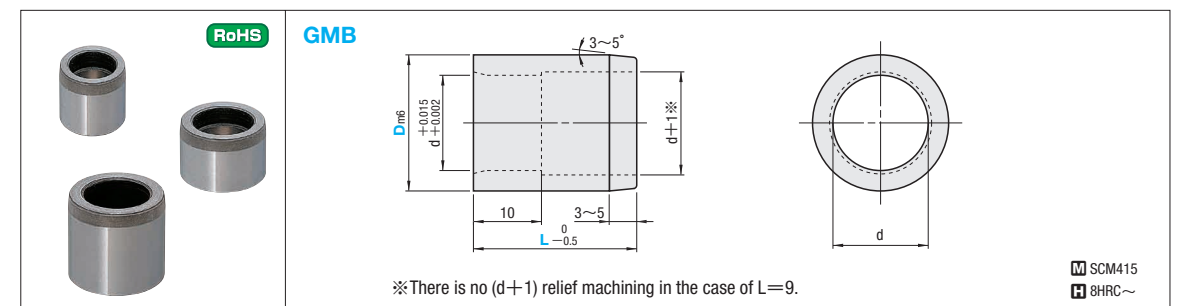
■ Spherical type

Press-fit section Dm6	d	L	E	Part Number Type	D	N	U/Price 1~9
16	+0.018 +0.007	10	29	GMR	16	19	Quotation
						20	
20	+0.021 +0.008	13	30	GMR	20	19	Quotation

Order Part Number — N — E  
GMT20 — 14 — 19  
GMR16 — 19

Days to Ship Quotation

Price Quotation



Press-fit section Dm6

d	Part Number Type	D	L	U/Price 1~9
16	+0.018 +0.007	16	9	Quotation
			14	
			19	
20	+0.021 +0.008	20	9	Quotation
			14	
			19	
			24	

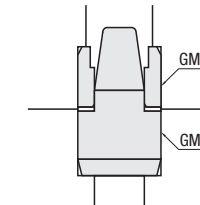
Order Part Number — L  
GMB16 — 19

Days to Ship Quotation

Price Quotation

EX Example

■ Example of leader pins and bushings



■ Example of leader pins and bushings

