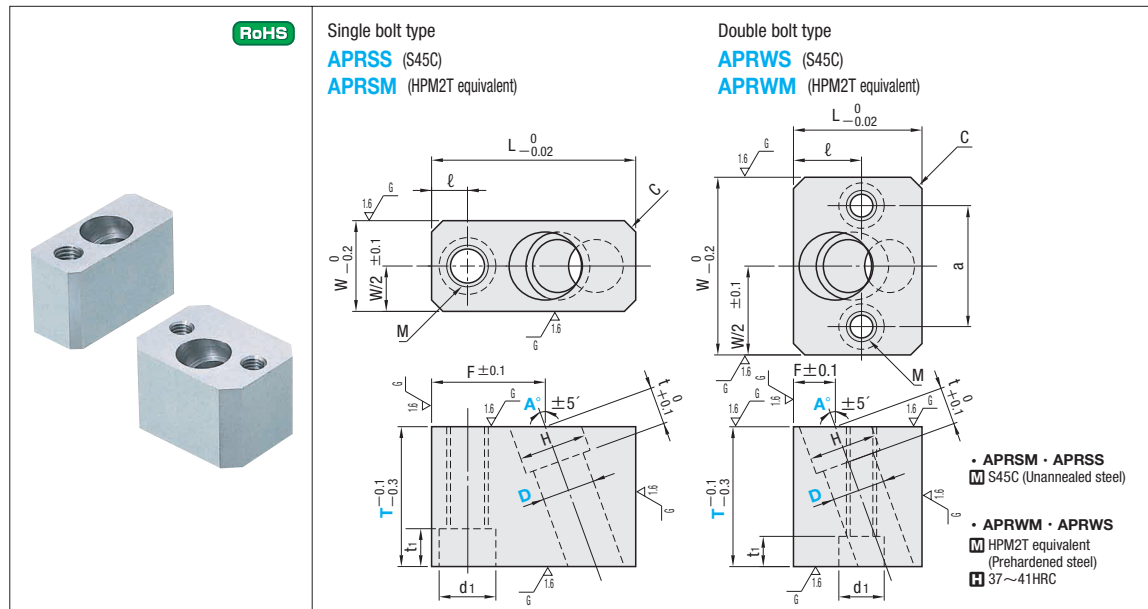


# ANGULAR PIN RETAINERS

— SINGLE BOLT TYPE / DOUBLE BOLT TYPE —

# SCREW BOLTS FOR ANGULAR PIN / STOPPER PLATES FOR ANGULAR PIN

Ⓜ Non JIS material definition is listed on P.1351 - 1352



DH7	W	L	H	t	F	d1	t1	M (Tap)	Bolt	ℓ	a	c	Part Number Type	D	T	A <sup>1</sup> increments		
8	+0.015	16	35	12	5	19	11	7	8	M 6	7	3	Single bolt type APRSS (S45C) APRSM (HPM2T equivalent)	8	20	10~20		
10	0	18	40	14	10	21	14	9	10	M 8	9	5		10	25			
13	+0.018	22	50	17	13	27	14	9	10	M 8	9	5		13	30			
16	0	25	55	20	13	29	14	9	10	M 8	9	5	16	35				
8	+0.015	38	24	12	5	8	11	7	8	M 6	14	24	Double bolt type APRWS (S45C) APRWM (HPM2T equivalent)	8	20 25	10~20		
10	0	40	28	14	10	10								16	26		10	25 30
13	+0.018	44	34	17	10	12								18	30		13	30 35
16	0	48	40	20	13	13								21	34		16	35 40
20	+	58	45	24	13	15								25	40		20	40 45
25	0.021	65	55	29	18	18								30	46		25	45 50
30	0	75	65	36	15	22	18	11	12	M10	35	54	30	55 60				

Order Part Number — T — A  
APRWS13 — 35 — A20

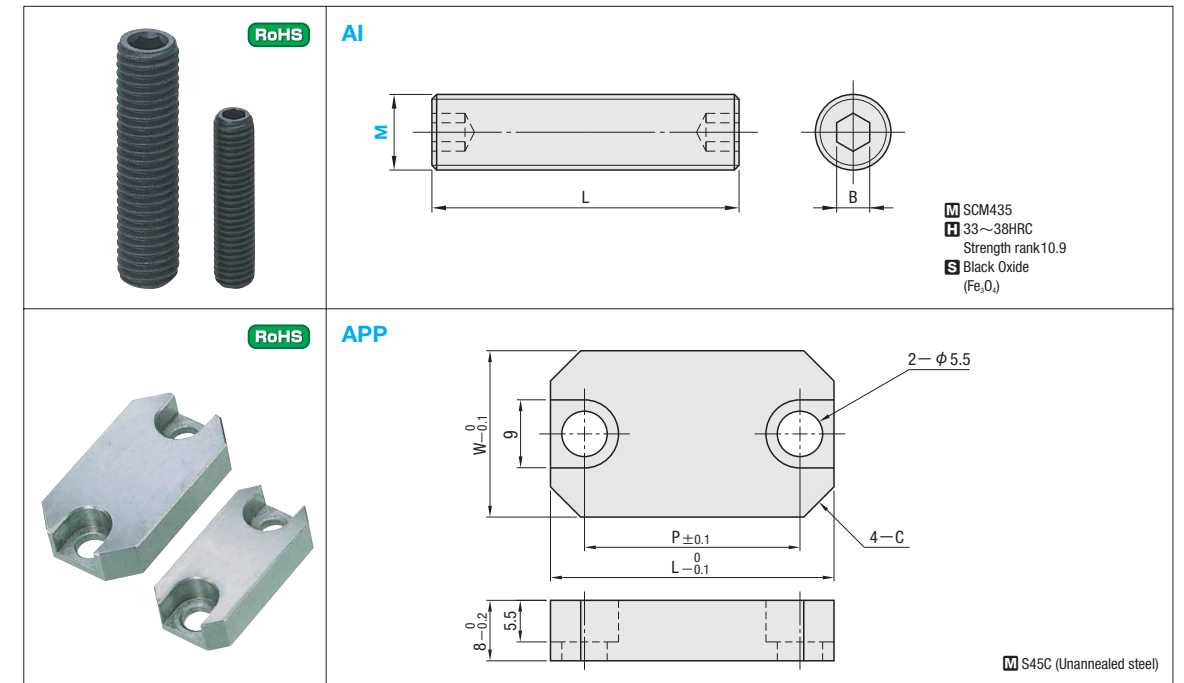
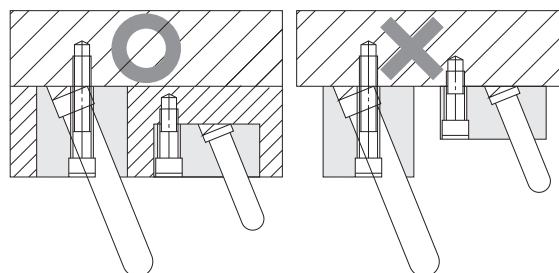
Alterations Part Number — T(TC) — A — (MNC)  
APRSM16 — TC38 — A18 — MNC

Days to Ship Quotation

Price Quotation

Alterations	Code	Spec.	1Code
	MNC	No retainer mounting hole	Quotation
	TC	Thickness change, TC=0.1mm increments Ⓜ $T > TC \geq \frac{T_{min}}{2} + t_1 + 2.0$ Ⓜ $T > TC \geq \frac{T_{min}}{2}$ when MNC is combined.	

Example Ⓜ Make sure to use with cavity inserts.



M×Pitch (Coarse thread)	L	B	Part Number Type	U/Price 1~9
M 6×1.0	30	3	AI	6
M 8×1.25	35	4		8
M10×1.5	40	5		10
M12×1.75	50	6		12
M16×2.0	60	8		16
M20×2.5	70	10		20

Applicable Angular Pins	W	L	P	C	Part Number Type	No.	U/Price 1~9
AP φD=4·5·6	13	28	19	2	APP	6	Quotation
φD=8·10	16	32	23	3		10	
φD=12~16	22	38	29	5		16	
φD=20	26	42	33	6		20	

Order Part Number AI12

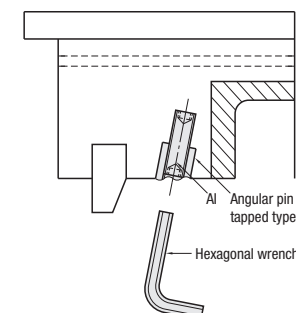
Days to Ship Quotation

Part Number APP10

Price Quotation

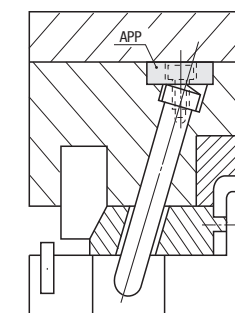
Example

Example of AI (Screw Bolt) use

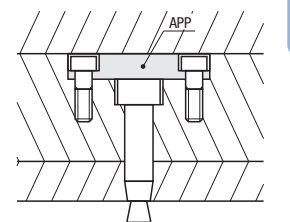


• Can also be set from the parting line.  
 • The angular pin can be easily removed using a hexagonal wrench, even when broken.

Example of APP use



Example of Runner Lock Pins use



Can also be used as a backup plate for runner lock pins.

Angular Pins Locking Blocks