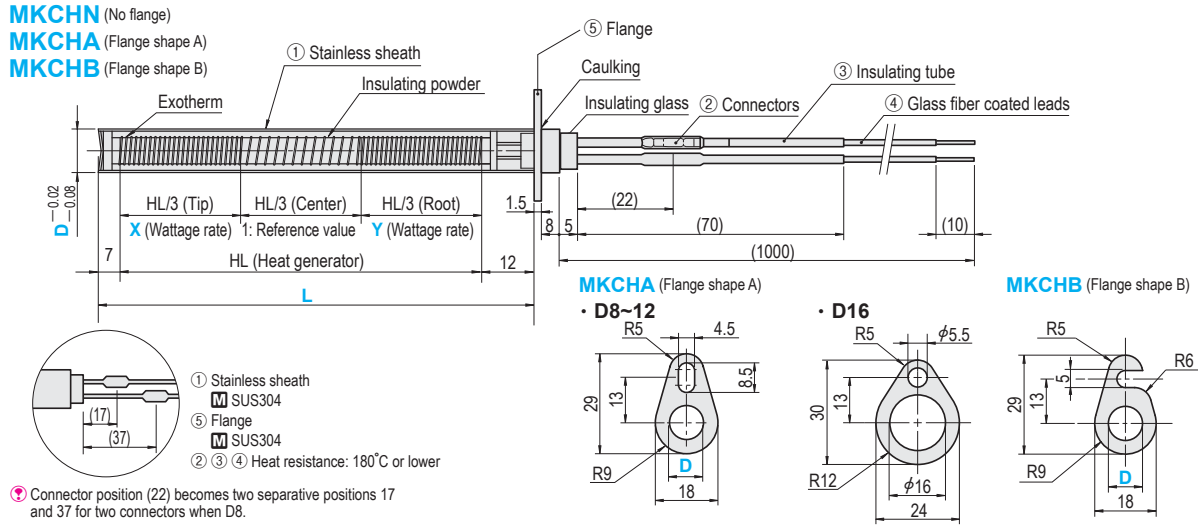
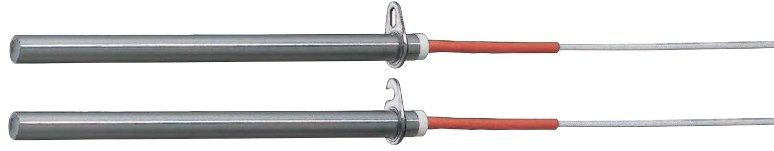


CARTRIDGE HEATERS SOAKING TYPE

-L, W, FLANGE SELECTION TYPE-

RoHS10



① Stainless sheath
 M SUS304
 ⑤ Flange
 M SUS304
 ② ③ ④ Heat resistance: 180°C or lower

⊕ Connector position (22) becomes two separate positions 17 and 37 for two connectors when D8.

Part Number Type	D	L 1 mm increments	V (Voltage) selection	W (Total wattage) 10W increments	X (Wattage rate) 0.1 increments	Y (Wattage rate) 0.1 increments
MKCHN (No flange)	8	100~400	200 220	100~1100	1.0~2.0	1.0~2.0
MKCHA (Flange shape A)	10			100~1600		
MKCHB (Flange shape B)	12			100~1800		
	*16	100~600		100~2000		

⊕ Watt density limit $2 \leq \text{Watt density (W/cm}^2) \leq 15$

⊗ * MKCHB: Not available for D16

⊕ Tip: $2 \leq W \times \frac{X}{X+Y+1} \div (D \times \frac{HL}{3} \times 3.14 \div 100) \leq 15$

⊕ Root: $2 \leq W \times \frac{Y}{X+Y+1} \div (D \times \frac{HL}{3} \times 3.14 \div 100) \leq 15$

⊕ Center: $2 \leq W \times \frac{1}{X+Y+1} \div (D \times \frac{HL}{3} \times 3.14 \div 100) \leq 15$



Order

Part Number	L	V	W	X	Y
MKCHA8	200	V220	W300	X1.4	Y1.6
MKCHB10	300	V200	W700	X1.4	Y1.6



Days to Ship

Quotation



Alterations

Part Number	L	V	W	X	Y	(JC · M4 · G4)
MKCHA12	300	V220	W1200	X1.4	Y1.6	JC3 - M4

Alterations	Code	Spec.	1Code
	JC	Change the length of the lead wire. Specification method Lead wire length (mm) JC2 2000 JC3 3000	
	M4	Fit round crimped terminal (M4) onto lead wire.	Quotation
	G4	Fit Y-type crimped terminal (M4) onto lead wire.	



Price

Part Number Type	D	Unit Price (1~9 pcs)									
		L100 L150	L151 L200	L201 L250	L251 L300	L301 L350	L351 L400	L401 L450	L451 L500	L501 L550	L551 L600
MKCHN (No flange)	8										
	10										
	12										
	16										
MKCHA (Flange shape A)	8										
	10										
	12										
	16										

Quotation

⊕ D16 is for MKCHN and MKCHA.

• Wattage rate

The overall wattage (W) of the entire heater indicates the ratio of the distribution to each part. You can specify the wattage of the tip and the root as multiples, based on a reference value of 1 for the center.

Guide for cartridge heater soaking type P.335

COMPONENTS FOR MOLD COOLING AND TEMPERATURE CONTROLLING SYSTEMS