
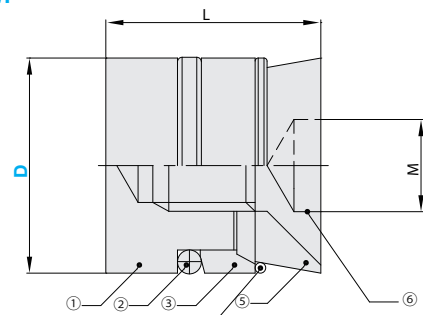


COOLING CIRCUIT PLUGS

-SINGLE-



10PACK-K-JWP



Basic Specifications

- Usable temperature range: $\leq 80^{\circ}\text{C}$
- Working pressure: max 15 kgf/cm²

Item	① Body	② O-rings	③ Spacer	④ Metal ring	⑤ Tapered washer	⑥ Screw
Material	Brass	Fluoric rubber	Brass	SUS304	Brass	SUS304

L	M	Moderate torque (kgf/cm ²)	Part Number	
			Type	D
10	2	12~13	10PACK-K-JWP	6
11.5	2.5	18~19		7
10.5	2.5	21~22		8
11.5	2.5	22~23		8.5
11.5	3	34~35		9
11	3	34~35		10
12	3	34~35		11
12	3	34~35		11.5
11	3	34~35		12
15	3	40~41		15
15	3	40~41		16
16	3	40~41		19
15.5	3	40~41		20
17	4	52~53		24
17	4	52~53		25

The torque values above are for reference only. It is recommended to use it in the smallest.

Order **Part Number**
10PACK-K-JWP6

Days to Ship **Quotation**

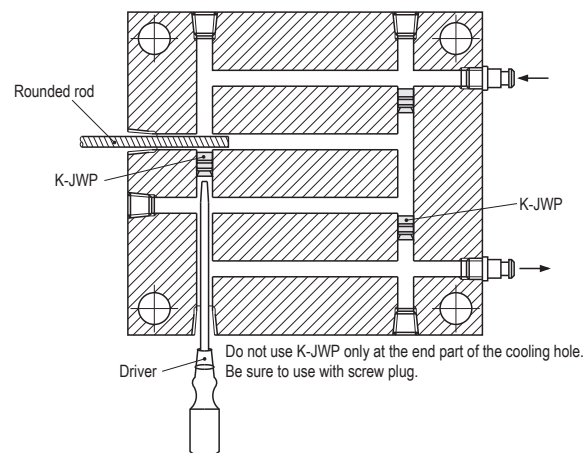
Features

- Enables free layout of cooling water circulation routes.
- Can be fixed on any place inside a cooling hole.

Specifications


Size	D6 ~ D25
Water hold diameter tolerance	+0.3 0
Working pressure (kPa)(kgf/cm ²)	1471 {15}
Fluid	Water
Usable temperature range	80°C or lower (recommended)

ex Example The cooling circuit can be freely designed as shown below.

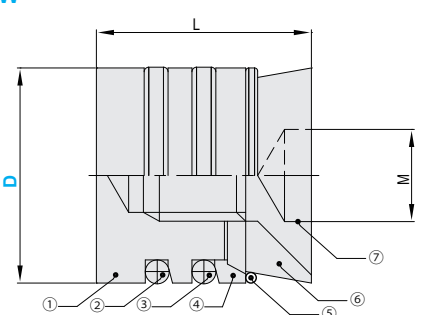


COOLING CIRCUIT PLUGS

-DOUBLE-



10PACK-K-JWPW



Basic Specifications

- Usable temperature range: $\leq 80^{\circ}\text{C}$
- Working pressure: max 20kgf/cm²

Item	① Body	② O-rings	③ O-rings	④ Spacer	⑤ Metal ring	⑥ Tapered washer	⑦ Screw
Material	Brass	Fluoric rubber	Silicone rubber	Brass	SUS304	Brass	SUS304

L	M	Moderate torque (kgf/cm ²)	Part Number	
			Type	D
10.5	2	12~13	10PACK-K-JWPW	6
11	2.5	21~22		8
12	2.5	22~23		8.5
12	3	34~35		10
12.5	3	34~35		11
12	3	34~35		11.5
12	3	34~35		12
14	3	34~35		13
15	3	34~35		14
15	3	40~41		15
15	3	40~41		16
15	3	40~41		18
15.5	3	40~41		19
15	3	40~41		20
15	4	40~41		22
15	4	52~53		24
14.5	4	52~53		25
18	4	52~53		30

The torque values above are for reference only. It is recommended to use it in the smallest.

Order **Part Number**
10PACK-K-JWPW6

Days to Ship **Quotation**

Features

- Enables free layout of cooling water circulation routes.
- Can be fixed on any place inside a cooling hole.

Specifications

Size	D6 ~ D30
Water hold diameter tolerance	+0.3 0
Working pressure (kPa)(kgf/cm ²)	1961 {20}
Fluid	Water
Usable temperature range	80°C or lower (recommended)

ex Example The cooling circuit can be freely designed as shown below.

