

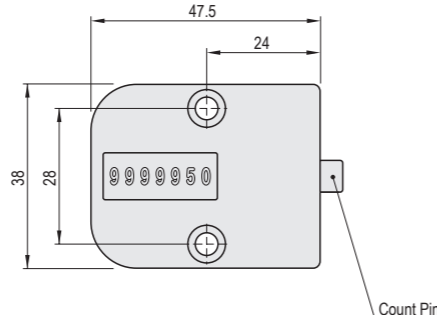


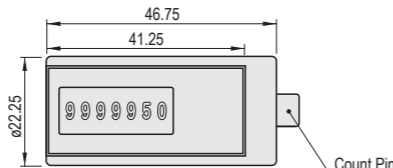
SHOT COUNTER K-VALUE

K-M-CVPL



K-M-CVR



Design may change without notice.

Glass mixed Nylon

Part Number

K-M-CVPL

K-M-CVR

Order

Part Number

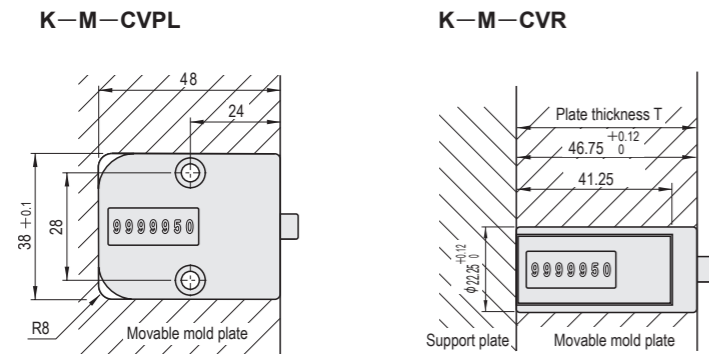
K-M-CVPL

K-M-CVR

Days to Ship

Quotation

Mounting dimensions and method



The Processing dimension is just a reference value.

Features


- Counting is actuated mechanically, no miscount will occur if counter is installed correctly.

Notes

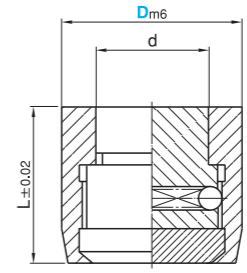
- The Counter is non-resettable mechanical.
- For mold testing purposes, the 7-digit indicator does not start from 0 (ex. 9999950).

DATE MARK PIN K-VALUE

-PLATE SIDE EXCHANGE TYPE / ARROW AND OUTER RING DETACHABLE-



Inner / outer ring detachable



Dm6	d	L
4	1.9	8
5	2.3	8
6	2.9	8
8	3.9	10
10	4.9	12
12	5.5	14
16	7.4	14
20	8.7	16

SUS420F
48-50HRC

Year • Month Type

Indicator	Part Number		Year
	Type	D	
Year • Month	K-DTBB	4	20 For 2020
		5	
		6	
		8	
		10	
		12	
		16	
		20	

Month • Day • No-marking Type

Indicator	Part Number		Year
	Type	D	
Month	K-DTD	4	20 For 2020
		5	
		6	
		8	
		10	
		12	
		16	
		20	
Day (1st digit)	K-DTE	4	20 For 2020
		5	
		6	
		8	
		10	
		12	
		16	
		20	
Day (2nd digit)	K-DTF	4	20 For 2020
		5	
		6	
		8	
		10	
		12	
		16	
		20	
Day	K-DTG	4	20 For 2020
		5	
		6	
		8	
		10	
		12	
		16	
		20	
No-marking	K-DTN	4	20 For 2020
		5	
		6	
		8	
		10	
		12	
		16	
		20	

Year Switching Type

Indicator	Part Number		Year
	Type	D	
6-year Type	K-DTS	4	20 For 2020
		5	
		6	
		8	
		10	
		12	
		16	
		20	

Order

Part Number

-

Year

K-DTBB4-20
 K-DTS4-20
 K-DTD4-20

Days to Ship

Quotation