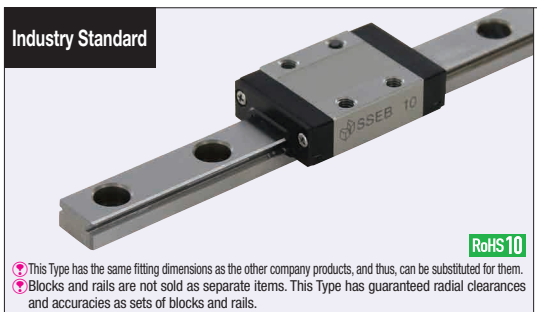




# Miniature Linear Guides

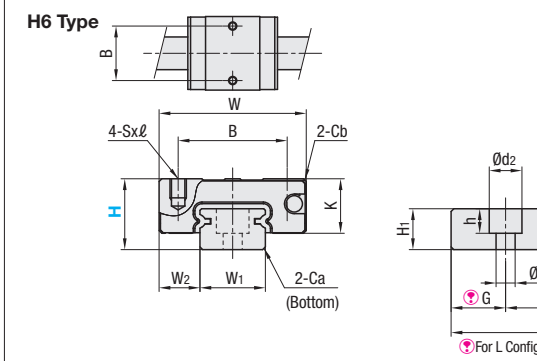
## Standard Blocks, Light Preload / Slight Clearance

Points of comparison against similar products | The most basic type among all the industry standard specifications. Select from Light Preload Types with superior precision and rigidity.



Material Hardness	Type			MX (Lubrication Unit)	L Dimension	Number of Blocks
	Light Preload High Grade	Precision Grade	Slight Clearance Standard Grade			
Stainless Steel S6HRC~	SSEB	SSEBV	SSEBZ	Blank: None -MX: Provided	Selectable Configurable ☑	1
	SSE2B	SSE2BV	SSE2BZ			2
	SSEBL	SSEBLV	SSEBLZ			1
	SSE2BL	SSE2BLV	SSE2BLZ			2

Heat Resistant Temperature: -20 ~ 80°C  
 ☑H6 has no standard grade / precision grade. ☑For L Dimension Configurable Type, any L dim. on the Price List is not available.  
 SSEBL8-56 (Configurable): ○  
 SSEBL8-55 (Configurable): × → Place order for SSEBL8-55 (Selectable)



☑For L Configurable Type, G dimensions differ from those shown in the table below. For details, see P553.

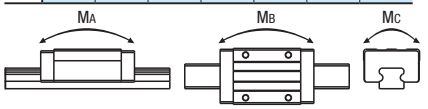
- Precautions for Use**
  - Blocks are equipped with retainers (wire) to prevent balls from derailing. For how to handle the blocks, see P547.
  - Radial clearances and accuracies are not guaranteed if the blocks and rails are interchanged from the original set combinations.
  - Straight grooves are provided on datum planes. Be sure to match the datum lines when using.
  - Rails cannot be connected end to end.
  - The accuracy of Linear Guides is guaranteed after securing the rail (after fastening screws on the rail and pushing it onto the datum plane).
  - Minor bending of the rail will be adjusted after being secured and will not affect the performance.
- Accessory**
  - H6 comes with Number 0, Class 1 Phillips button head screws (M2x6).
  - H8 comes with cap screws (M2x6).
- Others**
  - Filled with Lithium soap based grease (Multemp Grease PS2 by Kyodo Yushi Co., Ltd.).
  - For Operating Life Calculation, see P549.
  - For operating life calculations, use our free calculation software from [http://download.misumi.jp/mol/fa\\_soft.html](http://download.misumi.jp/mol/fa_soft.html).
  - The MX type is greased with a lithium complex grease (TOUGHLIX GREASE MP2, made by JXTG Nippon Oil & Energy Corporation).

Part Number	Type	MX	H	Block Dimension				Guide Rail Dimension											
				L	W	L1	B	C	Sxℓ	L2	K	Cb	W1	W2	H1	Ca	Counterbored Hole d1xd2xh	F	G
SSEB SSE2B SSEBL SSE2BL SSEBV SSE2BV SSEBLV SSE2BLV SSEBZ SSE2BZ SSEBLZ SSE2BLZ	Blank: None -MX: Provided		6	25-100 (70)	12	17.4	8	-	M2x1.5	9.7	4.5	0.3	5	3.5	4	0.3	2.4x3.5x1	15	5
			8	40-265 (70)	17	23.6	12	8	M2x2.5	13.6	6.5	0.3	7	5	4.7	0.3	2.4x4.2x2.3	15	5
		10	35-355 (75)	20	30	15	10	M3x3	19	7.8	0.3	9	5.5	5.5	0.3	3.5x6x3.5	20	7.5	
		13	45-720 (95)	27	33.9	20	15	M3x3.5	19.9	10	0.5	12	7.5	7.5	0.5	3.5x6x4.5	25	10	
		16	70-670 (110)	32	42.4	25	20	M3x4	27.4	12	0.5	15	8.5	9.5	0.5	3.5x6x4.5	40	15	
		20	100-700 (160)	40	50	30	25	M4x6	34.6	15	0.5	20	10	11	0.5	6x9.5x5.5	60	20	

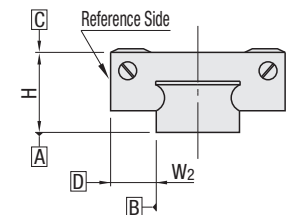
☑Dimensions in ( ) are for 2-Block Type.  
 ☑Both ends of the rail are evenly cut for L Dimension Configurable Type. G dim. resulting from this cutting process will become other than indicated on the above table. For details about how to calculate the applicable G dim., see P553.  
 ☑H8 145 to 265, H10 295 to 355 and H13 495 to 720 are applicable to High Grade Type only. See the price list on the right page.

kgf=Nx0.101972

H	Basic Load Rating		Allowable Static Moment			Mass	
	C (Dynamic) kN	Co (Static) kN	MA N·m	Me N·m	Mc N·m	Block kg	Guide Rail kg/m
6	0.3	0.6	0.8	0.8	1.5	0.004	0.13
8	0.9	1.5	4.1	4.1	5.2	0.01	0.19
10	1.5	2.5	5.1	5.1	10.2	0.02	0.31
13	2.2	3.3	8.8	9.5	16.1	0.04	0.61
16	3.6	5.4	21.6	23.4	39.6	0.06	1.02
20	5.2	8.5	48.4	48.4	86.4	0.12	1.65



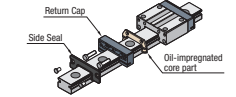
### Preload and Accuracy Standards



Specifications	Light Preload, High Grade	Light Preload, Precision Grade	Slight Clearance, Standard Grade
Radial Clearance	-3~0	-3~0	0~+15
Height H Tolerance	±20	±10	±20
Pair Variation of Height H	15	7	40
Width W2 Tolerance	±25	±15	±25
Pair Variation of Width W2	20	10	40
Running Parallelism of Plane C against Plane A	See P547.		
Running Parallelism of Plane D against Plane B	See P547.		

☑Slight Clearance Type has clearance (Gap) between rails and blocks. If precision / rigidity is required, select Light Preload Type.

### Lubrication Unit MX



**The same block size as existing products!**  
 The oil-impregnated porous core part has been built into the product.  
 ●Advantages of the Lubrication Unit MX:  
 Provides long-term maintenance-free operation.  
 Reduces maintenance costs.

☑Unit price for Precision Grade Type is the following price x1.2.

H	L	Unit Price			
		High Grade		Standard Grade	
		SSEB	SSE2B	SSEBZ	SSE2BZ
6	25	-	-	-	-
	40	-	-	-	-
	55	-	-	-	-
	70	-	-	-	-
	85	-	-	-	-
	100	-	-	-	-
8	40	-	-	-	-
	55	-	-	-	-
	70	-	-	-	-
	85	-	-	-	-
	100	-	-	-	-
	115	-	-	-	-
	130	-	-	-	-
	145	-	-	-	-
	160	-	-	-	-
	175	-	-	-	-
10	190	-	-	-	-
	205	-	-	-	-
	220	-	-	-	-
	235	-	-	-	-
	250	-	-	-	-
	265	-	-	-	-
	35	-	-	-	-
	55	-	-	-	-
	75	-	-	-	-
	95	-	-	-	-
	115	-	-	-	-
	135	-	-	-	-
	155	-	-	-	-
	175	-	-	-	-
13	195	-	-	-	-
	215	-	-	-	-
	235	-	-	-	-
	255	-	-	-	-
	275	-	-	-	-
	295	-	-	-	-
	315	-	-	-	-
	335	-	-	-	-
	355	-	-	-	-
	45	-	-	-	-
	70	-	-	-	-
	95	-	-	-	-
	120	-	-	-	-
	145	-	-	-	-
	170	-	-	-	-
	195	-	-	-	-
	220	-	-	-	-
	245	-	-	-	-
270	-	-	-	-	
295	-	-	-	-	
320	-	-	-	-	
345	-	-	-	-	
16	370	-	-	-	-
	395	-	-	-	-
	420	-	-	-	-
	445	-	-	-	-
	470	-	-	-	-
	495	-	-	-	-
	520	-	-	-	-
	545	-	-	-	-
	570	-	-	-	-
	595	-	-	-	-
	620	-	-	-	-
	645	-	-	-	-
670	-	-	-	-	
695	-	-	-	-	
720	-	-	-	-	
70	-	-	-	-	
20	110	-	-	-	-
	150	-	-	-	-
	190	-	-	-	-
	230	-	-	-	-
	270	-	-	-	-
	310	-	-	-	-
	350	-	-	-	-
	390	-	-	-	-
	430	-	-	-	-
	470	-	-	-	-
510	-	-	-	-	
550	-	-	-	-	
590	-	-	-	-	
630	-	-	-	-	
670	-	-	-	-	
710	-	-	-	-	
750	-	-	-	-	
25	790	-	-	-	-
	830	-	-	-	-
	870	-	-	-	-
	910	-	-	-	-
	950	-	-	-	-
	990	-	-	-	-
	1030	-	-	-	-
	1070	-	-	-	-
	1110	-	-	-	-
	1150	-	-	-	-

**Ordering Example**

Part Number - L  
 SSEB10 - 275  
 SSEB-MX10 - 275 (With Lubrication Unit)  
 SSEB10 - 75 (Low Temperature Black Chrome Plating)  
 SSEB10L - 75 (L Type Greased)  
 SSEB10G - 75 (G Type Greased)

Low Temperature Black Chrome Plating and various Grease types available as alternative.  
 For Days to Ship, Price and Performance see P553, 554

**Alterations**

Part Number - L - (MC, RLC, LLC, WC, B3, B4)  
 SSE2BL16 - 450 - MC

Alterations	Code	Spec.
Tapped Hole	MC	Changes the rail mounting holes from counterbored holes to tapped holes. ☑Not applicable when H dim. 8 ≥ 145, H dim. 10 ≥ 295 or H dim. 13 ≥ 495.
Rail End Cut	LLC (Left End Cut), RLC (Right End Cut)	Cuts rail ends. ☑Not applicable when H dim. 8 ≥ 145, H dim. 10 ≥ 295 or H dim. 13 ≥ 495.
Parallel Use of 2 Rails	WC	Pair variation of Height H between 2 rails is set within 15µm. Rails are shipped in pairs. ☑Specify the actual rail quantity (even number) to order, not "pairs". ☑Applicable to High Grade Type only. ☑The relevant surcharge will be added as an alteration fee for a rail. ☑Not applicable to low temperature chrome plated products. ☑Not applicable when H dim. 8 ≥ 145, H dim. 10 ≥ 295 or H dim. 13 ≥ 495.
3-Block Specifications (4-Block Specifications)	B3, B4	Add 2 (or 3) blocks to 1-block product to ship as 3-block (4-block) separate item. ☑There are restrictions for the L dimension length. See "Selectable Shortest Rail Length" for details. Selection Example: SSEB10-215-B3 (B4)

H	Unit Price	Additional Block Price (Same Price for High/Standard Grade)			
		B3: /1Code		B4: /1Code	
		Standard	Standard MX	Standard	Standard MX
6	*6	-	-	-	-
8	8	-	-	-	-
10	10	-	-	-	-
13	13	-	-	-	-
16	16	-	-	-	-
20	20	-	-	-	-

☑L Dimension Configurable Type (1mm Increment)  
 Add the above amount to the unit price of the Selectable Type longer than, and closest to this L Dimension Configurable Type.  
 \*H6-B3 (3 blocks) is applicable to High Grade Type only  
 ☑Unit price for Precision Grade Type is the above price x1.2.

### Selectable Shortest Rail Length for B3/B4

H	B3 (3 blocks)	B4 (4 blocks)
6	85	-
8	85	115
10	115	155
13	145	170
16	190	230
20	220	280