

Hex Posts with Pilot

Pilot Selectable / Configurable

For products uncovered by the e-Catalog Standard, see P.131.

For this product, L dim. can be configured in 0.1mm increment by specifying LKC Alteration.

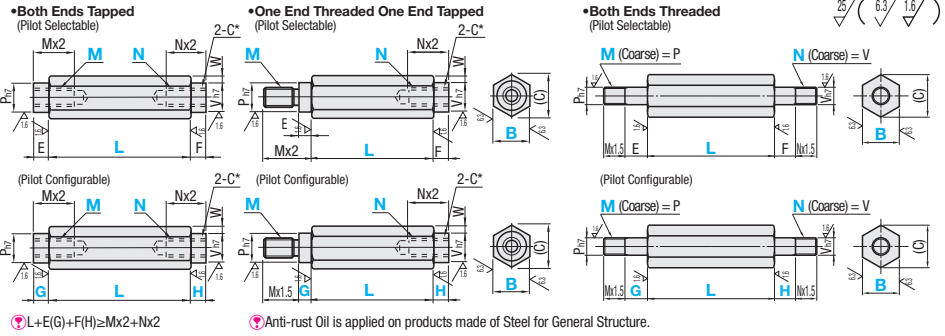
Hex Posts with Pilot

Type						M Material	S Surface Treatment
Both Ends Tapped		One End Threaded One End Tapped		Both Ends Threaded			
Pilot Selectable	Pilot Configurable	Pilot Selectable	Pilot Configurable	Pilot Selectable	Pilot Configurable		
NLSBJ	NLSBJF	NLSBK	NLSBKF	NLSBM	NLSBMF	Steel for General Structure	-
LSBJ	LSBJF	LSBK	LSBKF	LSBM	LSBMF	Steel for General Structure	Black Oxide
PLSBJ	PLSBJF	PLSBK	PLSBKF	PLSBM	PLSBMF	Steel for General Structure	Electroless Nickel Plating
SLSBJ	SLSBJF	SLSBK	SLSBKF	SLSBM	SLSBMF	SUS304	-

* C0.2~0.5 at the corner



RoHS10



Both Ends Tapped

Part Number Type	B	L 0.5mm Increment	M (Coarse) / N (Coarse) Selection	G 1mm Increment Pilot Configurable Only	H 1mm Increment Pilot Configurable Only	E	F	P	V	W	(C)
NLSBJ	8	15-250	3 4	2-4	2-4	4	4	6	6	1	9.2
NLSBJF	10	15-350	3 4 5	2-5	2-5	5	5	8	8	1	11.5
LSBJ	12	20-500	4 5 6	2-6	2-6	6	6	10	10	1	13.9
LSBJF	13	20-500	4 5 6 8	2-6	2-6	6	6	10	10	1.5	15
PLSBJ	14	25-600	5 6 8	2-8	2-8	8	8	12	12	1	16.2
PLSBJF	17	25-600	5 6 8 10	2-8	2-8	8	8	12	12	2.5	19.6
SLSBJ	19	40-600	5 6 8 10 12	2-10	2-10	10	10	16	16	1.5	21.9
SLSBJF	24	50-700	5 6 8 10 12 16	2-12	2-12	12	12	20	20	2	27.7
SUS304	27	50-800	5 6 8 10 12 16	2-16	2-16	16	16	24	24	1.5	31.2
SUS304	27W	50-800	5 6 8 10 12 16	2-16	2-16	16	16	20	20	3.5	31.2
SUS304	30	60-1000	5 6 8 10 12 16 20	2-16	2-16	16	16	28	28	1	34.6
SUS304	30W	60-1000	5 6 8 10 12 16 20	2-16	2-16	16	16	24	24	3	34.6
SUS304	32	60-1000	5 6 8 10 12 16 20	2-20	2-20	20	20	30	30	1	36.9
SUS304	32W	60-1000	5 6 8 10 12 16 20	2-20	2-20	20	20	24	24	4	36.9

One End Threaded One End Tapped

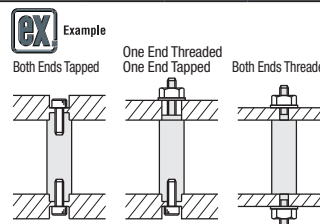
Part Number Type	B	L 0.5mm Increment	M (Coarse) Selection	N (Coarse) Selection	G 1mm Increment Pilot Configurable Only	H 1mm Increment Pilot Configurable Only	E	F	P	V	W	(C)
NLSBK	8	20-250	3 4 5	3 4	2-4	2-4	2	4	6	6	1	9.2
NLSBKF	10	20-350	3 4 5 6	3 4 5	2-5	2-5	2	5	8	8	1	11.5
LSBK	12	25-500	4 5 6 8	4 5 6	2-6	2-6	3	6	10	10	1	13.9
LSBKF	13	25-500	4 5 6 8 10	4 5 6	2-6	2-6	3	6	10	10	1.5	15
PLSBK	14	30-600	5 6 8 10	5 6 8	2-8	2-8	4	8	12	12	1	16.2
PLSBKF	17	30-600	5 6 8 10 12	5 6 8	2-8	2-8	4	8	12	12	2.5	19.6
SLSBK	19	45-600	5 6 8 10 12 16	5 6 8 10 12	2-10	2-10	5	10	16	16	1.5	21.9
SLSBKF	24	55-700	5 6 8 10 12 16 20	5 6 8 10 12 16	2-12	2-12	6	12	20	20	2	27.7
SUS304	27	55-800	5 6 8 10 12 16 20 24	5 6 8 10 12 16	2-16	2-16	7	16	24	24	1.5	31.2
SUS304	27W	55-800	5 6 8 10 12 16 20 24	5 6 8 10 12 16	2-16	2-16	7	16	20	20	3.5	31.2
SUS304	30	65-1000	5 6 8 10 12 16 20 24	5 6 8 10 12 16 20	2-16	2-16	8	16	28	28	1	34.6
SUS304	30W	65-1000	5 6 8 10 12 16 20 24	5 6 8 10 12 16 20	2-16	2-16	8	16	24	24	3	34.6
SUS304	32	65-1000	5 6 8 10 12 16 20 24	5 6 8 10 12 16 20	2-20	2-20	8	20	30	30	1	36.9
SUS304	32W	65-1000	5 6 8 10 12 16 20 24	5 6 8 10 12 16 20	2-20	2-20	8	20	24	24	4	36.9

Both Ends Threaded

Part Number Type	B	L 0.5mm Increment	M (Coarse) / N (Coarse) Selection	G 1mm Increment Pilot Configurable Only	H 1mm Increment Pilot Configurable Only	E	F	(C)
NLSBM	8	20-250	3 4 5 6	2-4	2-4	4	4	9.2
NLSBMF	10	20-350	3 4 5 6 8	2-5	2-5	5	5	11.5
LSBM	12	25-500	4 5 6 8 10	2-6	2-6	6	6	13.9
LSBMF	13	25-500	4 5 6 8 10	2-6	2-6	6	6	15
PLSBM	14	30-600	5 6 8 10 12	2-8	2-8	8	8	16.2
PLSBMF	17	30-600	5 6 8 10 12	2-8	2-8	8	8	19.6
SLSBM	19	45-600	5 6 8 10 12 16	2-10	2-10	10	10	21.9
SLSBMF	24	55-700	5 6 8 10 12 16 20	2-12	2-12	12	12	27.7
SUS304	27	55-800	5 6 8 10 12 16 20 24	2-16	2-16	16	16	31.2
SUS304	27W	55-800	5 6 8 10 12 16 20 24	2-16	2-16	16	16	31.2
SUS304	30	65-1000	5 6 8 10 12 16 20 24	2-16	2-16	16	16	34.6
SUS304	30W	65-1000	5 6 8 10 12 16 20 24	2-16	2-16	16	16	34.6
SUS304	32	65-1000	5 6 8 10 12 16 20 24	2-20	2-20	20	20	36.9
SUS304	32W	65-1000	5 6 8 10 12 16 20 24	2-20	2-20	20	20	36.9

Ordering Example: LSBJ10 - 350 - M5 - N4
 PLSBJ27W - 600 - M8 - N8
 LSBMF10 - 300 - M5 - N5 - G3 - H2

L Dimension Tolerance
 L 15-300 ±0.1
 L 300.5-600 ±0.3
 L 600.5-800 ±0.4



Both Ends Tapped

Part Number Type	B	Unit Price			
		Min. L - 200	L200.5-400	L400.5-600	L600.5-800
8	8	-	-	-	-
10	10	-	-	-	-
12	12	-	-	-	-
13	13	-	-	-	-
NLSBJ	14	-	-	-	-
17	17	-	-	-	-
NLSBJF	19	-	-	-	-
24	24	-	-	-	-
27	27	-	-	-	-
27W	27W	-	-	-	-
30	30	-	-	-	-
30W	30W	-	-	-	-
32	32	-	-	-	-
32W	32W	-	-	-	-
8	8	-	-	-	-
10	10	-	-	-	-
12	12	-	-	-	-
13	13	-	-	-	-
14	14	-	-	-	-
17	17	-	-	-	-
19	19	-	-	-	-
24	24	-	-	-	-
27	27	-	-	-	-
27W	27W	-	-	-	-
30	30	-	-	-	-
30W	30W	-	-	-	-
32	32	-	-	-	-
32W	32W	-	-	-	-
8	8	-	-	-	-
10	10	-	-	-	-
12	12	-	-	-	-
13	13	-	-	-	-
14	14	-	-	-	-
17	17	-	-	-	-
19	19	-	-	-	-
24	24	-	-	-	-
27	27	-	-	-	-
27W	27W	-	-	-	-
30	30	-	-	-	-
30W	30W	-	-	-	-
32	32	-	-	-	-
32W	32W	-	-	-	-
8	8	-	-	-	-
10	10	-	-	-	-
12	12	-	-	-	-
13	13	-	-	-	-
14	14	-	-	-	-
17	17	-	-	-	-
19	19	-	-	-	-
24	24	-	-	-	-
27	27	-	-	-	-
27W	27W	-	-	-	-
30	30	-	-	-	-
30W	30W	-	-	-	-
32	32	-	-	-	-
32W	32W	-	-	-	-

One End Threaded One End Tapped

Part Number Type	B	Unit Price			
		Min. L - 200	L200.5-400	L400.5-600	L600.5-800
8	8	-	-	-	-
10	10	-	-	-	-
12	12	-	-	-	-
13	13	-	-	-	-
14	14	-	-	-	-
17	17	-	-	-	-
19	19	-	-	-	-
24	24	-	-	-	-
27	27	-	-	-	-
27W	27W	-	-	-	-
30	30	-	-	-	-
30W	30W	-	-	-	-
32	32	-	-	-	-
32W	32W	-	-	-	-
8	8	-	-	-	-
10	10	-	-	-	-
12	12	-	-	-	-
13	13	-	-	-	-
14	14	-	-	-	-
17	17	-	-	-	-
19	19	-	-	-	-
24	24	-	-	-	-
27	27	-	-	-	-
27W	27W	-	-	-	-
30	30	-	-	-	-
30W	30W	-	-	-	-
32	32	-	-	-	-
32W	32W	-	-	-	-
8	8	-	-	-	-
10	10	-	-	-	-
12	12	-	-	-	-
13	13	-	-	-	-
14	14	-	-	-	-
17	17	-	-	-	-
19	19	-	-	-	-
24	24	-	-	-	-
27	27	-	-	-	-
27W	27W	-	-	-	-
30	30	-	-	-	-
30W	30W	-	-	-	-
32	32	-	-	-	-
32W	32W	-	-	-	-

Both Ends Threaded

Part Number Type	B	Unit Price			
		Min. L - 200	L200.5-400	L400.5-600	L600.5-800
8	8	-	-	-	-
10	10	-	-	-	-
12	12	-	-	-	-
13	13	-	-	-	-
NLSBM	13	-	-	-	-
NLSBMF	14	-	-	-	-
17	17	-	-	-	-
19	19	-	-	-	-
24	24	-	-	-	-
27	27	-	-	-	-
30	30	-	-	-	-
32	32	-	-	-	-
8	8	-	-	-	-
10	10	-	-	-	-
12	12	-	-	-	-
13	13	-	-	-	-
14	14	-	-	-	-
17	17	-	-	-	-
19	19	-	-	-	-
24	24	-	-	-	-
27	27	-	-	-	-
30	30	-	-	-	-
32	32	-	-	-	-
8	8	-	-	-	-
10	10	-	-	-	-
12	12	-	-	-	-
13	13	-	-	-	-
14	14	-	-	-	-
17	17	-	-	-	-
19	19	-	-	-	-
24					