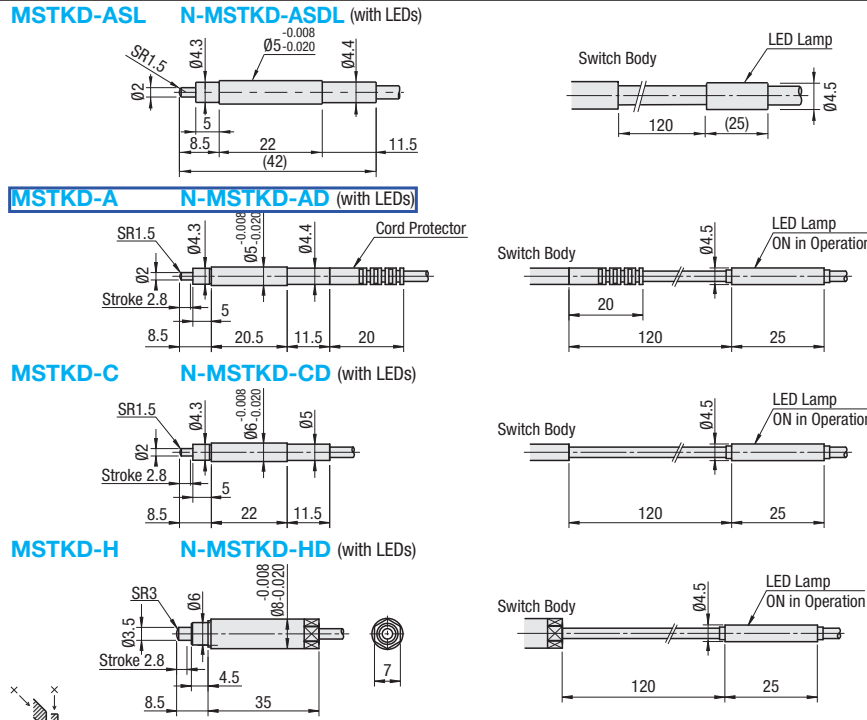


Positioning Switches

Standard, L-Shaped

For Mechanical / Electrical Specifications and Precautions for Use, see P2159.



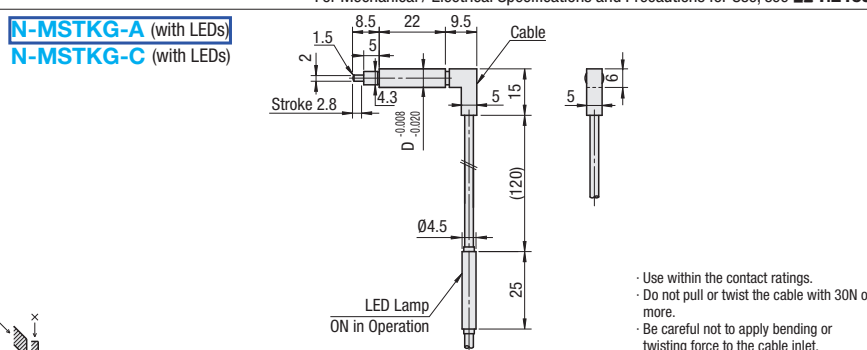
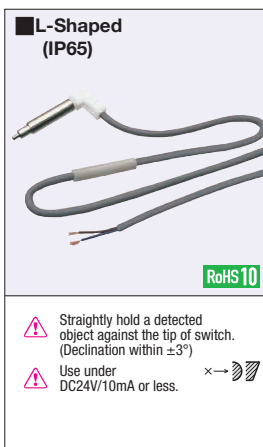
⚠ Straightly hold a detected object against the tip of switch. (Declination within ±3°)
 ⚠ Use under DC24V/10mA or less.
 • Use within the contact ratings.
 • Do not pull or twist the cable with 30N or more.

Type	Contact Part	Main Body	Cable
MSTKD-A N-MSTKD-AD	SUS420	ABS Resin	2-Conductor Cable 3m, Ø3, Oil Resistant Min. Bending Radius R7
MSTKD-ASL N-MSTKD-ASDL	SUS420	ABS Resin	2-Conductor Cable 3m, Ø3, Oil Resistant Min. Bending Radius R7
MSTKD-C N-MSTKD-CD	SUS420	SUS303	2-Conductor Cable 3m, Ø3, Oil Resistant Min. Bending Radius R7
MSTKD-H N-MSTKD-HD	SUS420	SUS303	2-Conductor Cable 3m, Ø3, Oil Resistant Min. Bending Radius R7

Part Number	Stroke	Operating Point	Contact Force N	Contact Logic	MSTKD-ASL, A, C, H		N-MSTKD-ASDL, AD, CD, HD	
					Unit Price	Volume Discount Rate	Unit Price	Volume Discount Rate
MSTKD-ASL N-MSTKD-ASDL	2.8	0.3 from Tip (Repeatability 0.005)	1	NO (Normally Open)	1-9 pc(s)	10-20	1-9 pc(s)	10-20
MSTKD-A N-MSTKD-AD								
MSTKD-C N-MSTKD-CD								
MSTKD-H N-MSTKD-HD								

For orders larger than indicated quantity, please check with WOS.

For Mechanical / Electrical Specifications and Precautions for Use, see P2159.



⚠ Straightly hold a detected object against the tip of switch. (Declination within ±3°)
 ⚠ Use under DC24V/10mA or less.

Type	Contact Part	Main Body	Cable
N-MSTKG-A	SUS420	ABS Resin	2-Conductor Cable 3m, Ø3, Oil Resistant Min. Bending Radius R7
N-MSTKG-C	SUS420	SUS303	2-Conductor Cable 3m, Ø3, Oil Resistant Min. Bending Radius R7

Part Number	D	Stroke	Operating Point	Contact Force N	Contact Logic	Unit Price	Volume Discount Rate
N-MSTKG-A	5	2.8	0.3 from Tip (Repeatability 0.005)	1	NO (Normally Open)	1-9 pc(s)	10-20
N-MSTKG-C	6						

For orders larger than indicated quantity, please check with WOS.

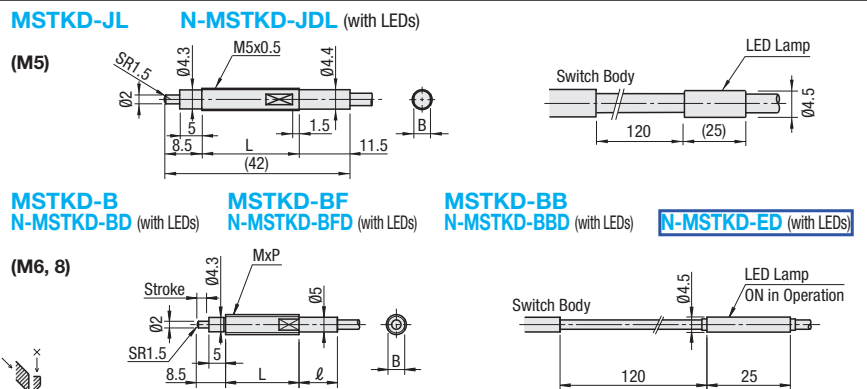
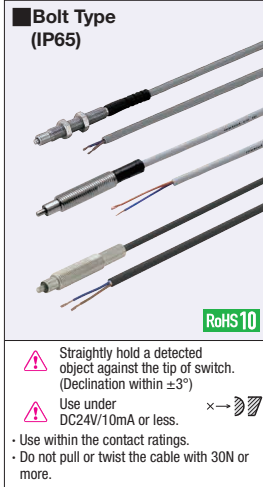


Example Bonding Set Screw

Positioning Switches

Bolt Type / Bolt Type Long Stroke / L-Shaped Bolt

For Mechanical / Electrical Specifications and Precautions for Use, see P2159.



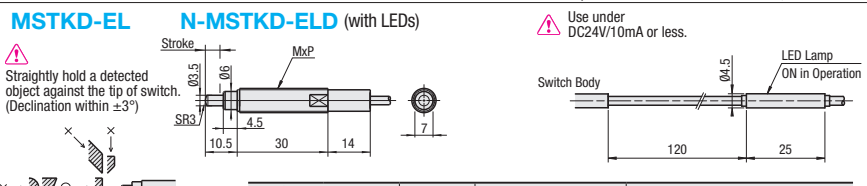
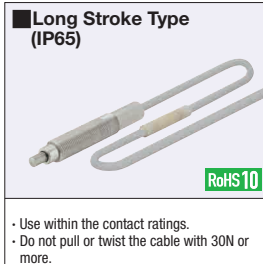
⚠ Straightly hold a detected object against the tip of switch. (Declination within ±3°)
 ⚠ Use under DC24V/10mA or less.
 • Use within the contact ratings.
 • Do not pull or twist the cable with 30N or more.

Contact Part	Main Body	Cable	Accessory
SUS420	SUS303	2-Conductor Cable 3m, Ø3, Oil Resistant Min. Bending Radius R7	Hex Nut 2 pcs. -M6: Thickness 2.4, Hex Size 7 -M8: Thickness 3.2, Hex Size 8 -M8: Thickness 3.2, Hex Size 10

Part Number	MxP (Fine)	Stroke	Operating Point	Contact Force N	Contact Logic	L	ℓ	B	MSTKD-JL, B, BF, BB		N-MSTKD-JDL, BD, BFD, BBD, ED	
									Unit Price	Volume Discount Rate	Unit Price	Volume Discount Rate
MSTKD-JL N-MSTKD-JDL	M5x0.5	2.8	0.3 from Tip (Repeatability 0.005)	1	NO (Normally Open)	22	-	4.4	1-9 pc(s)	10-20	1-9 pc(s)	10-20
MSTKD-B N-MSTKD-BD	M6x0.75					22	11.5	5				
MSTKD-BF N-MSTKD-BFD						22	11.5	5				
MSTKD-BB N-MSTKD-BBD	M8x0.75	22	11.5	7								
N-MSTKD-ED		22	11.5	7								

For orders larger than indicated quantity, please check with WOS.

For Mechanical / Electrical Specifications and Precautions for Use, see P2159.



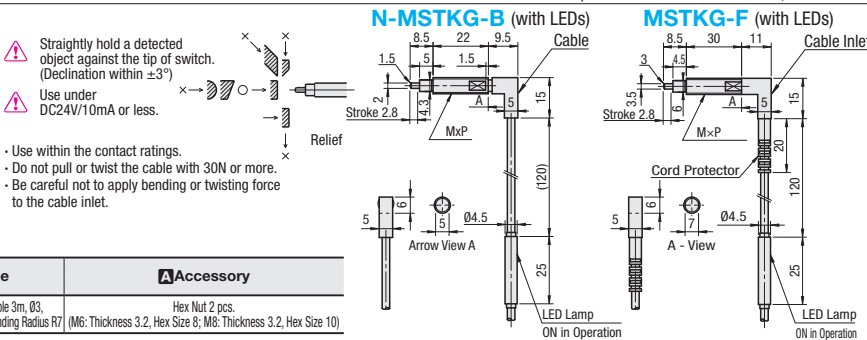
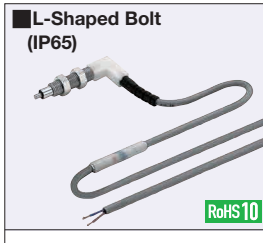
⚠ Straightly hold a detected object against the tip of switch. (Declination within ±3°)
 ⚠ Use under DC24V/10mA or less.

Contact Part	Thread	Cable	Accessory
SUS420	SUS303	2-Conductor Cable 3m, Ø3, Oil Resistant Min. Bending Radius R7	Hex Nut 2 pcs. (Thickness 3.2, Hex Size 10)

Part Number	MxP (Fine)	Stroke	Operating Point	Contact Force N	Contact Logic	MSTKD-EL		N-MSTKD-ELD	
						Unit Price	Volume Discount Rate	Unit Price	Volume Discount Rate
MSTKD-EL N-MSTKD-ELD	8x0.75	5	0.3 from Tip (Repeatability 0.005)	1	NO (Normally Open)	1-9 pc(s)	10-19	1-9 pc(s)	10-20

For orders larger than indicated quantity, please check with WOS.

For Mechanical / Electrical Specifications and Precautions for Use, see P2159.

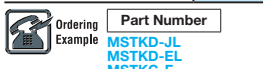


⚠ Straightly hold a detected object against the tip of switch. (Declination within ±3°)
 ⚠ Use under DC24V/10mA or less.
 • Use within the contact ratings.
 • Do not pull or twist the cable with 30N or more.
 • Be careful not to apply bending or twisting force to the cable inlet.

Contact Part	Main Body	Cable	Accessory
SUS420	SUS303	2-Conductor Cable 3m, Ø3, Oil Resistant Min. Bending Radius R7	Hex Nut 2 pcs. (M6: Thickness 3.2, Hex Size 8; M8: Thickness 3.2, Hex Size 10)

Part Number	MxP (Fine)	Stroke	Operating Point	Contact Force N	Contact Logic	Unit Price	Volume Discount Rate
N-MSTKG-B	M6x0.75	2.8	0.3 from Tip (Repeatability 0.005)	1	NO (Normally Open)	1-9 pc(s)	10-20
MSTKG-F	M8x0.75						

For orders larger than indicated quantity, please check with WOS.



Example Bonding Set Screw