

Note that, for some of the types shown here, order might be unable to be received by the MISUMI Malaysia, and/or Indonesia offices.

MISUMI
C-VALUE

Contact Probes, Receptacles


Minimum Mounting Pitch 3.18mm / 3.96mm Series

Compared to Similar Products
86% Off Max.


Similar Component Page P.1931

Comparison Points with Similar Products | Replacement Cycle (Reference) : 200,000 times Convenient package sale is available at a low price.

Contact Probe
Minimum Mounting Pitch 3.18mm
Sold by the package (50 pcs./pkg.)

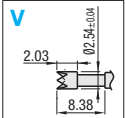


Receptacle
Sold by the package (50 pcs./pkg.)

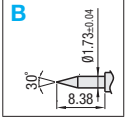


NPM125 : Contact Probe

V

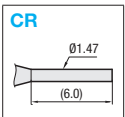


B



NRM125 : Receptacle

CR

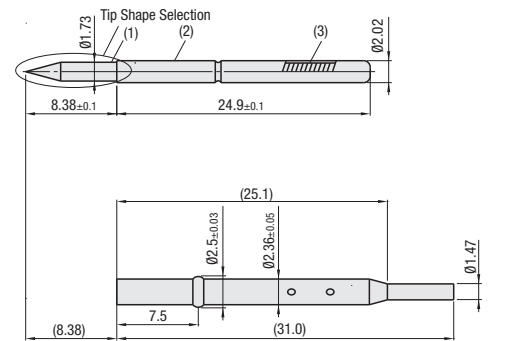


Contact Probes


Part	Material	Surface Treatment
(1) Plunger	SK4	Gold Plating on Nickel Undercoat
(2) Barrel	Phosphor Bronze	Gold Plating on Nickel Undercoat
(3) Spring	SWP-A	Gold Plating on Nickel Undercoat

Receptacles


Material	Surface Treatment
Phosphor Bronze	Gold Plating on Nickel Undercoat



Contact Probe
Minimum Mounting Pitch 3.96mm
Sold by the package (50 pcs./pkg.)

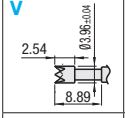


Receptacle
Sold by the package (50 pcs./pkg.)

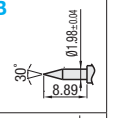


NPM156 : Contact Probe

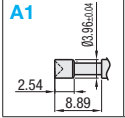
V



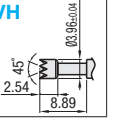
B



A1

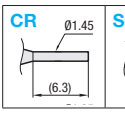


VH

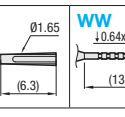


NRM156 : Receptacle

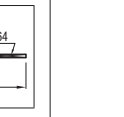
CR



SC



WW

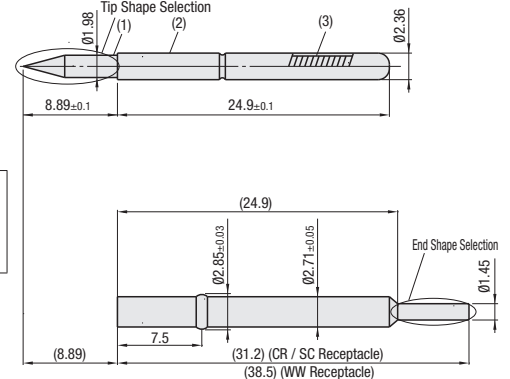


Contact Probes

Part	Material	Surface Treatment
(1) Plunger	SK4	Gold Plating on Nickel Undercoat
(2) Barrel	Phosphor Bronze	Gold Plating on Nickel Undercoat
(3) Spring	SWP-A	Gold Plating on Nickel Undercoat

Receptacles

Material	Surface Treatment
Phosphor Bronze	Gold Plating on Nickel Undercoat



Contact Probes								Receptacle					
Part Number	Tip Shape	Mounting Pitch (min)	Full Stroke	Spring Pressure 2/3 Stroke	Allowable Current	Resistance	Replacement Cycle (Reference)	Unit Price (50 pcs./pkg.)	Part Number	Tip Shape	Matching Contact Probe	Mounting Hole for Press-Fitting Dimension (Reference)	Unit Price (50 pcs./pkg.)
NPM125	V, B	3.18mm	6.35mm	255gf	5A	30mΩ	200,000 times		NRM125	CR	NPM125	Ø2.4mm	
NPM156	V, B, A1, VH	3.96mm	6.35mm	113gf	5A	50mΩ	200,000 times		NRM156	CR, SC, WW	NPM156	Ø2.75mm	

Ordering Example

Part Number - Tip (End) Shape

NPM125 - V

NRM156 - WW