

Allowable Tension Table

Unit : N

Types of Engineering Plastic Chains	Chain Nominal Number	General	Extra Low Friction	Conductivity, Heat Resistance	Chemical Resistant	Conductivity	Heat Resistant	Product Page
One-Touch Block Chains Straight	40, 40W	390	320	460	380	-	-	P.1579
One-Touch Table Top Chains Thin, Straight Running								P.1580
One-Touch Block Chains Curved	60	350	310	390	310	-	-	P.1581
One-Touch Flat Chains Curved								P.1582
Plastic Covered Chains SS (Steel Chains)	40	3630		-	-	-	-	P.1583
Plastic Covered Chains SUS (Stainless Steel Chains)		440						
Plastic Covered Chains OL (Lubrication-Free Chains)		3630						
Plastic Covered Chains SS (Steel Chains)	60	8830		-	-	-	-	
Plastic Covered Chains SUS (Stainless Steel Chains)		1030						
Plastic Covered Chains OL (Lubrication-Free Chains)		8830						
Engineering Plastic Block Chains	40, 40W	440	390	-	400	470	560	P.1584
	60	940	760	-	870	830	1100	

Corrosion Resistance Data

Resistance Against Chemicals and Oils

Chemical Name	General, Extra Low Friction Conductivity, Heat Resistance	Spec. for Chemical Resistant Type
Acetone	○	×
Oil (Vegetable, Mineral)	○	○
Alcohol	○	○
Ammonia Water	○	○
Sodium Chloride	○	○
Hydrochloric Acid (2%)	×	×
Seawater	△	△
Oxygenated Water	×	○
Sodium Hydroxide (25%)	○	○
Gasoline	○	○
Formic Acid	×	○
Formic Aldehyde	○	○
Citric Acid	△	○

Chemical Name	General, Extra Low Friction Conductivity, Heat Resistance	Spec. for Chemical Resistant Type
Chromic Acid	×	△
Acetic Acid	×	○
Carbon Tetrachloride	○	○
Sodium Hypochlorite	×	×
Nitric Acid (5%)	×	○
Potassium Hydrate	○	○
Soap Solution	○	○
Lactic Acid	○	○
Paraffin	○	○
Benzene	○	○
Iodine	×	×
Sulfuric Acid	×	×
Phosphoric Acid (10%)	×	△

Resistance Against Foods

Chemical Name	General, Extra Low Friction Conductivity, Heat Resistance	Spec. for Chemical Resistant Type
Whiskey	○	○
Milk	○	○
Vinegar	△	△
Soft Drinks	○	○
Beer	○	○

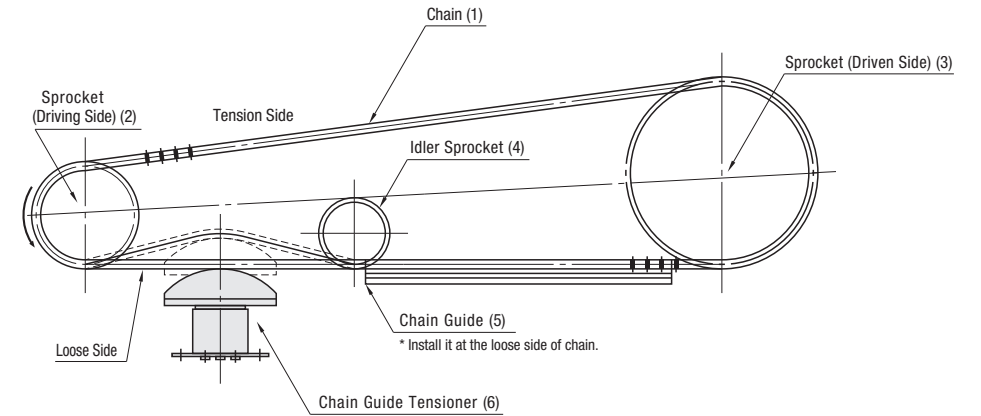
Chemical Name	General, Extra Low Friction Conductivity, Heat Resistance	Spec. for Chemical Resistant Type
Fruit Juice	○	○
Water	○	○
Vegetable Juice	○	○
Wine	○	○

○: Fully corrosion resistant △: Corrosion resistant depending on operating environment ×: Not corrosion resistant

Metal Chains

Product Selection Support: About "Nominal Numbers"

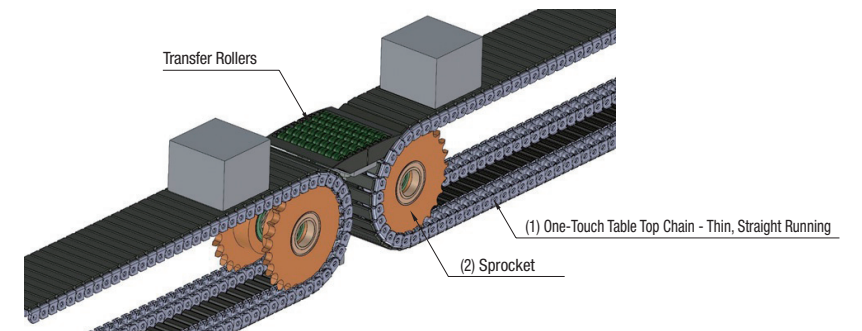
Chains, Sprockets and their related products use the same "Nominal Numbers".



Components List (Nominal Number : 40)

No.	Product Name	Part Number	Page
(1)	Chains	CHE 40 -236	P.1591
(2)	Sprocket (Driving Side)	SP 40 B15-N-10	P.1595
(3)	Sprocket (Driven Side)	SP 40 B26-N-15	P.1595
(4)	Idler Sprockets	DRC 40 -10-15	P.1602
(5)	Chain Guide	GDTC 40 -450	P.1611
(6)	Chain Guide Tensioners	TSBxB 40 L	P.1610

Plastic Chains



Components List (Nominal Number : 40)

No.	Product Name	Part Number	Page
(1)	One-Touch Table Top Chain - Thin, Straight Running	CHEF 40 -350	P.1580
(2)	Sprocket	SSP 40 B30-N-25	P.1599

♥ Plastic Chains on P. 1579 ~ 1584 are all applicable to JIS standard Sprockets.