

Conveyor Belt Support Cover


Dedicated Website://fa.misumi.jp/cvs/

Conveyor components and maintenance parts can be searched.

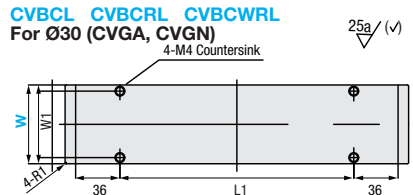
Pulley Holders for Conveyor

Dedicated Website://fa.misumi.jp/cvs/

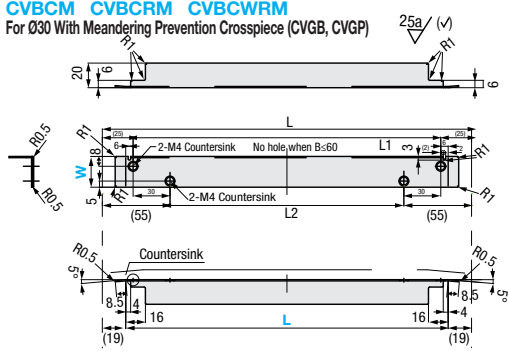
Conveyor components and maintenance parts can be searched.



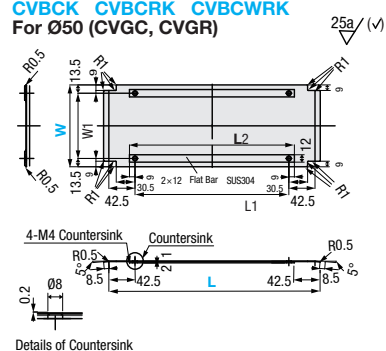
CVBCL CVBCRL CVBCWRL
For Ø30 (CVGA, CVGN)



CVBCM CVBCRM CVBCWRM
For Ø30 With Meandering Prevention Crosspiece (CVGB, CVGP)



CVBCK CVBCRK CVBCWRK
For Ø50 (CVGC, CVGR)



Material: SUS304

RoHS 10

■ For Ø30 (CVGA, CVGN)

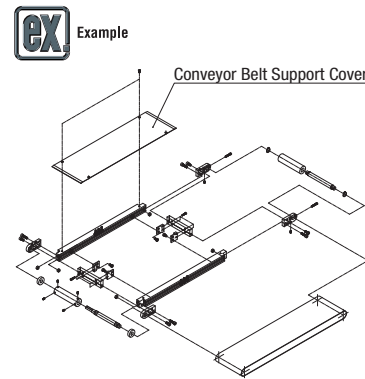
Part Number	W		L1	L2	Applicable Conveyors	Unit Price			
	1mm Increment	1mm Increment				L130~500	L501~1000	L1001~1500	L1501~2000
CVBCL	40~100	130~2000	W-10	L-72	CVGA CVGN				
	101~200								
	201~350								
CVBCRL	40~100	130~2000	W-10	L-121	CVGN (HR-MR)				
	101~200								
	201~350								
CVBCWRL	40~100	130~2000	W-10	L-131	CVGN (WR)				
	101~200								
	201~350								

■ For Ø30 With Meandering Prevention Crosspiece (CVGB, CVGP)


Part Number	W		L1	L2	Applicable Conveyors	Unit Price			
	1mm Increment	1mm Increment				L120~500	L501~1000	L1001~1500	L1501~2000
CVBCM	15~100	120~2000	L-50	L-110	CVGB CVGP				
	101~150								
	151~200								
CVBCRM	15~100	120~2000	L-61	L-121	CVGP (HR-MR)				
	101~150								
	151~200								
CVBCWRM	15~100	120~2000	L-72	L-132	CVGP (WR)				
	101~150								
	151~200								

■ For Ø50 (CVGC, CVGR)

Part Number	W		L1	L2	Applicable Conveyors	Unit Price				
	1mm Increment	1mm Increment				L170~500	L501~1000	L1001~1500	L1501~2000	
CVBCK	70~100	170~2000	W-27	L-85	L-67	CVGC CVGR				
	101~200									
	201~350									
CVBCRK	70~100	170~2000	W-27	L-110	L-92	CVGR (HR-MR)				
	101~200									
	201~350									
CVBCWRK	70~100	170~2000	W-27	L-135	L-117	CVGR (WR)				
	101~200									
	201~350									



Ordering Example: Part Number - W - L
CVBCM - 150 - 1940



PLHDR-FE-R
12 $\frac{1}{2}$ (3 $\frac{1}{2}$ / 1 $\frac{1}{2}$)

PLHDR-FF-R
12 $\frac{1}{2}$ (3 $\frac{1}{2}$ / 1 $\frac{1}{2}$)

PLHD-TC-R
12 $\frac{1}{2}$ (3 $\frac{1}{2}$ / 1 $\frac{1}{2}$)

PLHD-TD-R
12 $\frac{1}{2}$ (3 $\frac{1}{2}$ / 1 $\frac{1}{2}$)

PLHD-PA-R
12 $\frac{1}{2}$ (3 $\frac{1}{2}$ / 1 $\frac{1}{2}$)

PLHD-FE-R
12 $\frac{1}{2}$ (3 $\frac{1}{2}$ / 1 $\frac{1}{2}$)

PLHD-FF-R
12 $\frac{1}{2}$ (3 $\frac{1}{2}$ / 1 $\frac{1}{2}$)

Material: Aluminum, SS400
Surface Treatment: Clear Anodize, Paint, Gold Anodize, Trivalent Chromate

RoHS 10

Drawing having L inserted on the end of its Dwg. No. is for Reversed Type of R.

Part Number	Shape Selection	Right/Left	Applicable Conveyors	Unit Price
PLHDR	FE	(Right) R (Left) L	CVGR	
	FF		CVGW	
	TC		CVGN	
	TD		CVGP	
PLHD	PA		CVGTP	
	FE		CVGTN	
	FF		CVSPA	
	FF		CVSFA	
			CVSFC	
			CVSFB	
			CVSFD	

PLHDR is used when alterations of HR, MR, or WR are applied to the applicable conveyors.
PLHD-TC and TD are molded products, and therefore available at reasonable prices.

Ordering Example: Part Number - Shape Selection - Right/Left
PLHD - FE - L