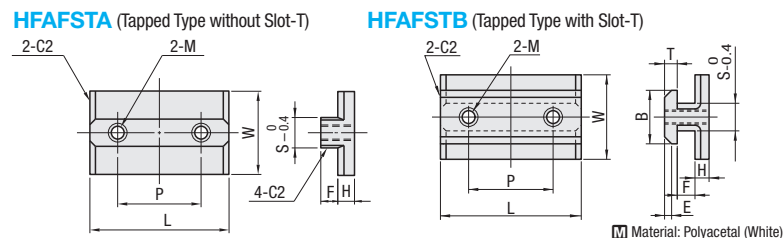
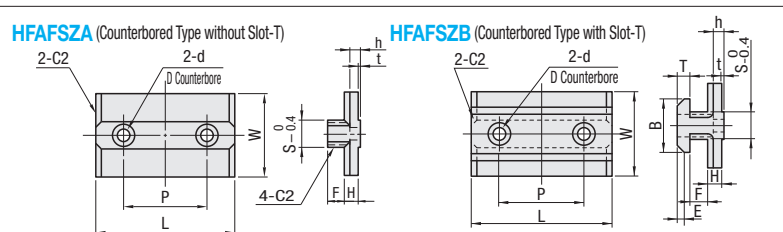


# Sliders for Aluminum Extrusions

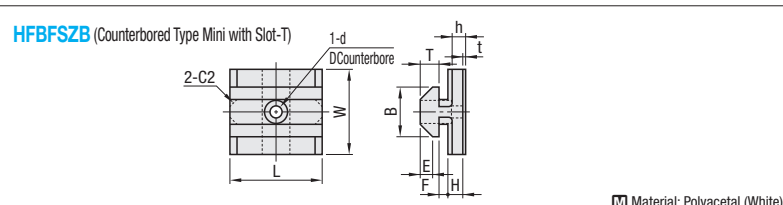
# Curtains / Sliders for Curtain Rail / Curtain Fasteners



Part Number Type		Extrusion (Series)	H	F	S	T	E	B	L	P	W	M	Applicable Screw	Unit Price 1 ~ 9 pc(s).	Volume Discount Rate 10~100		
HFAFSTA	5	HFS5	5	3	5.8				35	20	18	3	M3				
	5L									70	55	18	3	M3			
	6			HFS6	4	7.8				40	24	24	4	M4			
	6L									80	66	24	4	M4			
	8									50	30	30	5	M5			
8L	HFS8, HFS8-45	6	9.8				100	80	30	5	M5						
6L							5.8	3.5	3	10	35	20	18	3	M3		
8							5.8	3.5	3	10	70	55	18	3	M3		
HFAFSTB	5	HFS5	5	7.8	5.3	3.5	14.1	40	24	24	4	M4					
	6			HFS6	7.8	5.3	3.5	14.1	80	66	24	4	M4				
	6L																
	8																
	8L			HFS8, HFS8-45	9.8	4.5	2.5	19	50	30	30	5	M5				
6																	
6L																	



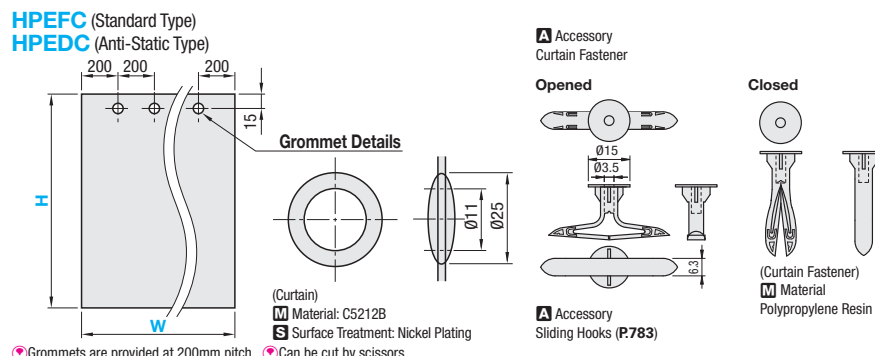
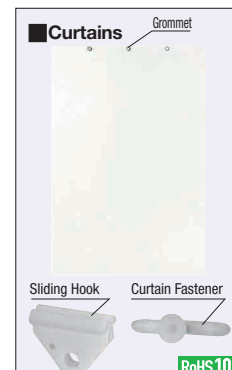
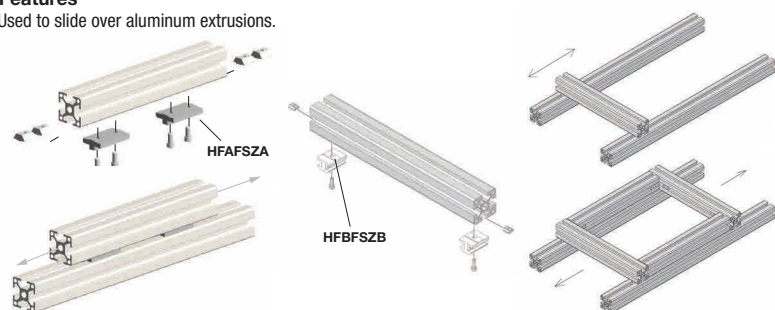
Part Number Type		Extrusion (Series)	H	F	S	T	E	B	L	P	W	D	d	h	t	Screw	Nut	Unit Price 1 ~ 9 pc(s).	Volume Discount Rate 10~100		
HFAFSZA	6	HFS6	5	4	7.8				40	24	24	6.5	3.4			CBM3-10	HNTT6-3				
	6L									80	66	24	6.5	3.4			CBM3-10	HNTT6-3			
	8									50	30	30	8	4.5	3.8	0.8	CBM4-12	HNTT8-4			
	8L									100	80	30	8	4.5			CBM4-12	HNTT8-4			
HFAFSZB	6	HFS6	5	2.5	7.8	5.3	3.5	14.1	40	24	24	6.5	3.4			CBM3-10	HNTT6-3				
	6L									80	66	24	6.5	3.4			CBM3-10	HNTT6-3			
	8									6.3	9.8	4.5	2.5	19	50	30	30	8	4.5		
	8L									6.3	9.8	4.5	2.5	19	100	80	30	8	4.5		



Part Number Type		Extrusion (Series)	H	F	S	T	E	B	L	W	D	d	h	t	Screw	Nut	Unit Price 1 ~ 9 pc(s).	Volume Discount Rate 10~100
HFBFSZB	6	HFS6	5	2.5	7.8	5.3	3.5	14.1	26	24	6.5	3.4	3.8	0.8	CBM3-10	HNTT6-3		
	8									6.3	9.8	4.5	2.5	19	34	30	8	4.5

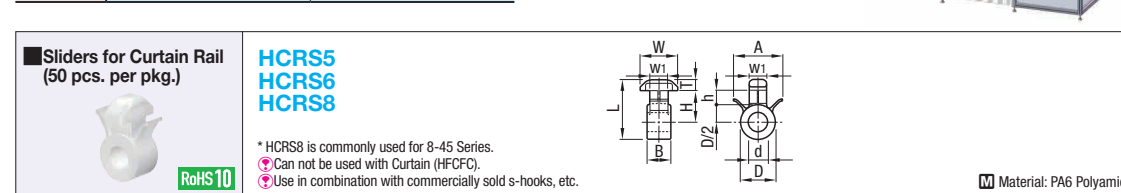
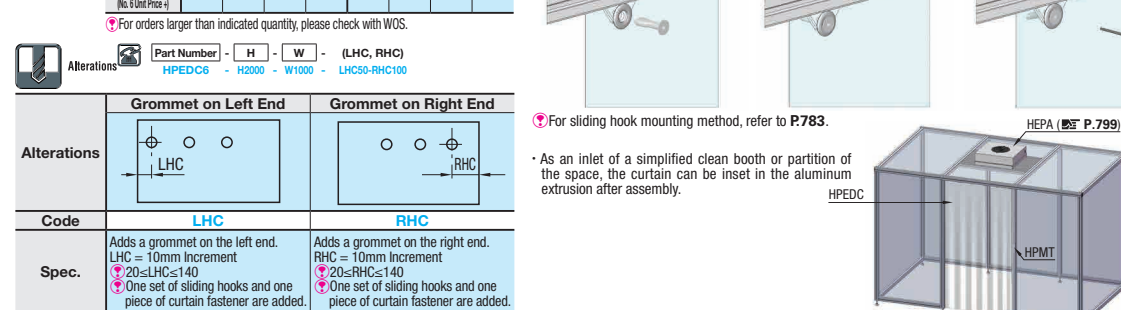
Ordering Example **Part Number**  
**HFAFSTA6**

Example **Features**  
Used to slide over aluminum extrusions.



Part Number Type		Height (H) 100mm Increment	Width (W) 200mm Increment	Sheet Used P.794	Part Number	Unit Price 1 ~ 9 pkg(s).	Volume Discount Rate 10~20																																							
HPEFC HPEDC	6 8	1200~2400	600~1200	HPEFT0.2 HPEDT0.2	HFCFC																																									
	<p><b>Curtain Fastener only (10 pcs. per pkg.)</b></p> <table border="1"> <thead> <tr> <th>Part Number</th> <th>Extrusion (Series)</th> <th>Curtain Width W</th> <th>Number of Grommets</th> <th>Included Sliding Hook / Sliding Hook</th> <th>Number of Sets / Number of Curtain Fasteners</th> </tr> </thead> <tbody> <tr> <td rowspan="4">HFCFC6</td> <td rowspan="4">HFS6 (P.571)</td> <td>600</td> <td>2</td> <td>HFCFS6</td> <td>2 2</td> </tr> <tr> <td>800</td> <td>3</td> <td></td> <td>3 3</td> </tr> <tr> <td>1000</td> <td>4</td> <td></td> <td>4 4</td> </tr> <tr> <td>1200</td> <td>5</td> <td></td> <td>5 5</td> </tr> <tr> <td rowspan="4">HFCFC8</td> <td rowspan="4">HFS8(-45) (P.631, 681)</td> <td>600</td> <td>2</td> <td>HFCFS8</td> <td>2 2</td> </tr> <tr> <td>800</td> <td>3</td> <td></td> <td>3 3</td> </tr> <tr> <td>1000</td> <td>4</td> <td></td> <td>4 4</td> </tr> <tr> <td>1200</td> <td>5</td> <td></td> <td>5 5</td> </tr> </tbody> </table>					Part Number	Extrusion (Series)	Curtain Width W	Number of Grommets	Included Sliding Hook / Sliding Hook	Number of Sets / Number of Curtain Fasteners	HFCFC6	HFS6 (P.571)	600	2	HFCFS6	2 2	800	3		3 3	1000	4		4 4	1200	5		5 5	HFCFC8	HFS8(-45) (P.631, 681)	600	2	HFCFS8	2 2	800	3		3 3	1000	4		4 4	1200	5	
Part Number	Extrusion (Series)	Curtain Width W	Number of Grommets	Included Sliding Hook / Sliding Hook	Number of Sets / Number of Curtain Fasteners																																									
HFCFC6	HFS6 (P.571)	600	2	HFCFS6	2 2																																									
		800	3		3 3																																									
		1000	4		4 4																																									
		1200	5		5 5																																									
HFCFC8	HFS8(-45) (P.631, 681)	600	2	HFCFS8	2 2																																									
		800	3		3 3																																									
		1000	4		4 4																																									
		1200	5		5 5																																									

H	No. 6 Unit Price 1 ~ 4 pc(s).							
	HPEFC6				HPEDC6			
	600	800	1000	1200	600	800	1000	1200
1200								
1300								
1400								
1500								
1600								
1700								
1800								
1900								
2000								
2100								
2200								
2300								
2400								



Part Number Type		W	h	L	w1	d	D	A	T	B	Unit Price 1 ~ 9 pkg(s).	Volume Discount Rate 10~20
HCRS	5	11	3.5	18.5	5	6	12	18	3	7		
	6	15	4	24	7	7	14	19	6	9		
	8	19	7.5	31.5	9	10	18	25	6	12		

