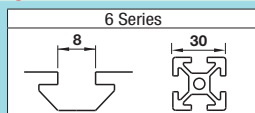



Sheet Metal Plates

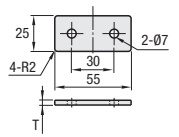
For 6 Series (Slot Width 8mm) Aluminum Extrusions




■ Features: Can be used for reinforcement of connecting extrusions.

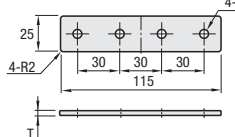



**HPTSS6
SHPTSS6**



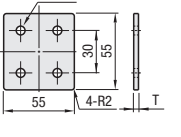


**HPTSSL6
SHPTSSL6**






**HPTSD6
SHPTSD6**

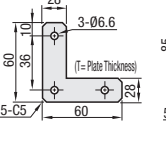


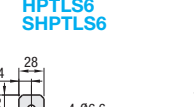
Type	Material	Surface Treatment
HPTSS	SPHC	Trivalent Chromate
HPTSSL		
HPTSD		
SHPTSS	SUS304	-
SHPTSSL		
SHPTSD		

Part Number	Mass g	T	Applicable Screw and Nut			Unit Price 1-99 pc(s).	Volume Discount Rate 100-120
			Screw	Quantity	Nut		
HPTSS6	32	3.2	M6-10	2	M6	2	
SHPTSS6		3					
HPTSSL6	64	3.2	M6-10	4	M6	4	
SHPTSSL6		3					
HPTSD6	70	3.2	M6-10	4	M6	4	
SHPTSD6		3					

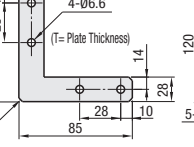


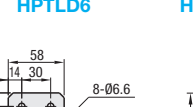
**HPTLN6
SHPTLN6**



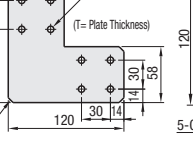


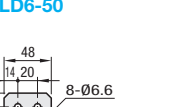
**HPTLS6
SHPTLS6**



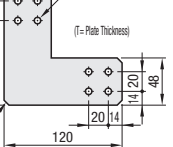


**HPTLD6
SHPTLD6**






**HPTLD6-50
SHPTLD6-50**

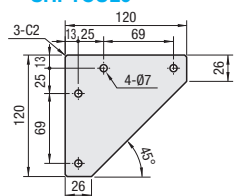


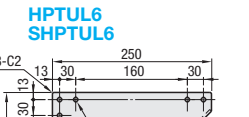
Type	Material	Surface Treatment
HPTLN	SPHC	Trivalent Chromate
HPTLS		
HPTLD		
SHPTLN	SUS304	-
SHPTLS		
SHPTLD		

Part Number	Mass g	T	Applicable Screw and Nut			Unit Price 1-99 pc(s).	Volume Discount Rate 100-120
			Screw	Quantity	Nut		
HPTLN6	56	3.2	M6-10	3	M6	3	
SHPTLN6		3					
HPTLS6	92	3.2	M6-10	4	M6	4	
SHPTLS6		3					
HPTLD6	250	3.2	M6-10	8	M6	8	
SHPTLD6-50		3.2					

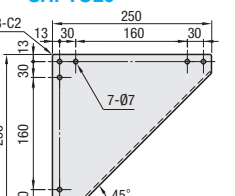


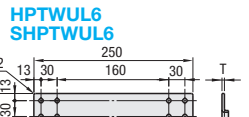
**HPTCUL6
SHPTCUL6**



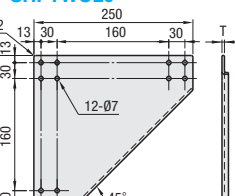


**HPTUL6
SHPTUL6**





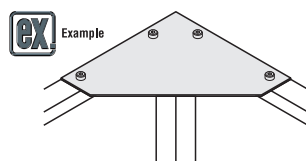
**HPTWUL6
SHPTWUL6**



Type	Material	Surface Treatment
HPTCUL	SPHC	Trivalent Chromate
HPTUL		
HPTWUL		
SHPTCUL	SUS304	-
SHPTUL		
SHPTWUL		

Part Number	Mass g	T	Applicable Screw and Nut			Unit Price 1-99 pc(s).	Volume Discount Rate 100-120
			Screw	Quantity	Nut		
HPTCUL6	150	2.3	M6-10	4	M6	4	
SHPTCUL6		2					
HPTUL6	600	2.3	M6-10	7	M6	7	
SHPTUL6		2					
HPTWUL6	598	2.3	M6-10	12	M6	12	
SHPTWUL6		2					


Ordering Example Part Number HPTSS6



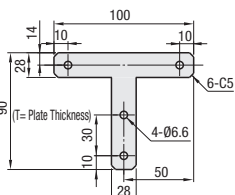
Alterations Part Number - (SET) HPTSS6 - SET

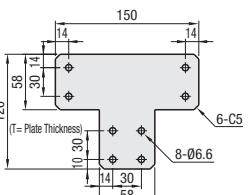
⚠ Not RoHS compliant when -SET is specified.

Alteration	Code	Spec.	Part Number
Applicable Screws and Nuts Set	SET	Applicable screws and nuts for mounting each plate on extrusions come in a set.	HPTSS6
			SHPTSS6
			HPTSSL6
			SHPTSSL6
			HPTSD6
			SHPTSD6
			HPTLN6
			SHPTLN6
			HPTLS6
			SHPTLS6
			HPTLD6
			SHPTLD6-50
			HPTCUL6
			SHPTCUL6
HPTUL6			
SHPTUL6			
HPTWUL6			
SHPTWUL6			

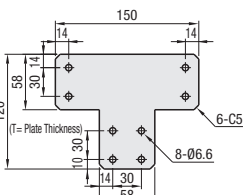


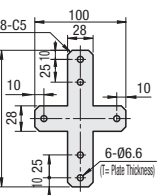
**HPTTS6
SHPTTS6**



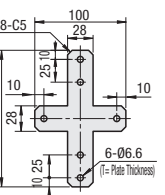


**HPTTD6
SHPTTD6**






**HPTPS6
SHPTPS6**

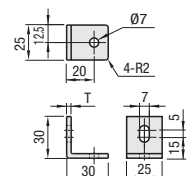


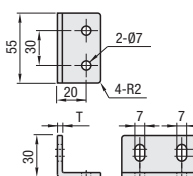
Type	Material	Surface Treatment
HPTTS	SPHC	Trivalent Chromate
HPTTD		
HPTPS		
SHPTTS	SUS304	-
SHPTTD		
SHPTPS		

Part Number	Mass g	T	Applicable Screw and Nut			Unit Price 1-99 pc(s).	Volume Discount Rate 100-120
			Screw	Quantity	Nut		
HPTTS6	106	3.2	M6-10	4	M6	4	
SHPTTS6		3					
HPTTD6	217	3.2	M6-10	8	M6	8	
SHPTTD6		3					
HPTPS6	140	3.2	M6-10	6	M6	6	
SHPTPS6		3					

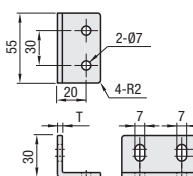


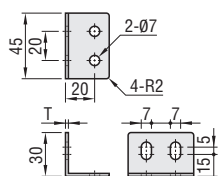
**HPTBS6
SHPTBS6**



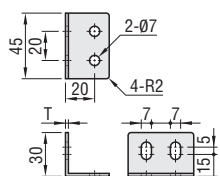


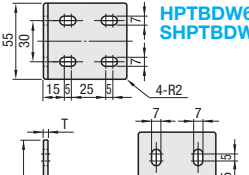
**HPTBD6
SHPTBD6**



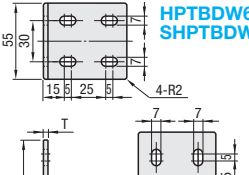


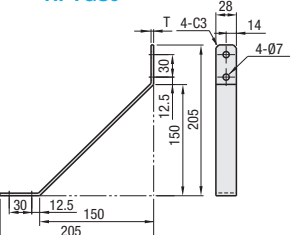
**HPTBD6-50
SHPTBD6-50**



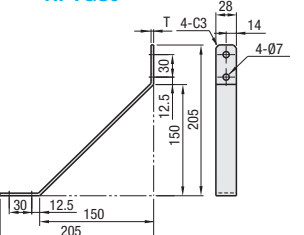


**HPTBDW6
SHPTBDW6**





**HPTGS6
SHPTGS6**



Type	Material	Surface Treatment
HPTBS	SPHC	Trivalent Chromate
HPTBD		
HPTBDW		
SHPTBS	SUS304	-
SHPTBD		
SHPTBDW		

Part Number	Mass g	T	Applicable Screw and Nut			Unit Price 1-99 pc(s).	Volume Discount Rate 100-120
			Screw	Quantity	Nut		
HPTBS6	31	3.2	M6-10	2	M6	2	
SHPTBS6		3					
HPTBD6	69	3.2	M6-10	4	M6	4	
SHPTBD6		3					
HPTBD6-50	64	3.2	M6-10	4	M6	4	
SHPTBD6-50		3					
HPTBDW6	197	4.5	M6-10	8	M6	8	
SHPTBDW6		4					
HPTGS6	213	3.2	M6-10	4	M6	4	
SHPTGS6		3.2					

Ordering Example Part Number HPTTS6

Alterations Part Number - (SET) HPTTS6 - SET

⚠ Not RoHS compliant when -SET is specified.

Alteration	Code	Spec.	Part Number
Applicable Screws and Nuts Set	SET	Applicable screws and nuts for mounting each plate on extrusions come in a set.	HPTTS6
			SHPTTS6
			HPTTD6
			HPTPS6
			HPTBS6
			SHPTBS6
			HPTBD6
			SHPTBD6
			HPTBD6-50
			HPTGS6

Example

