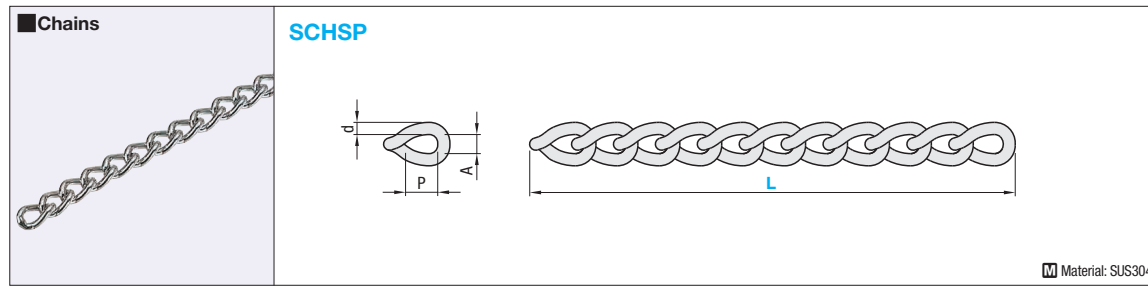
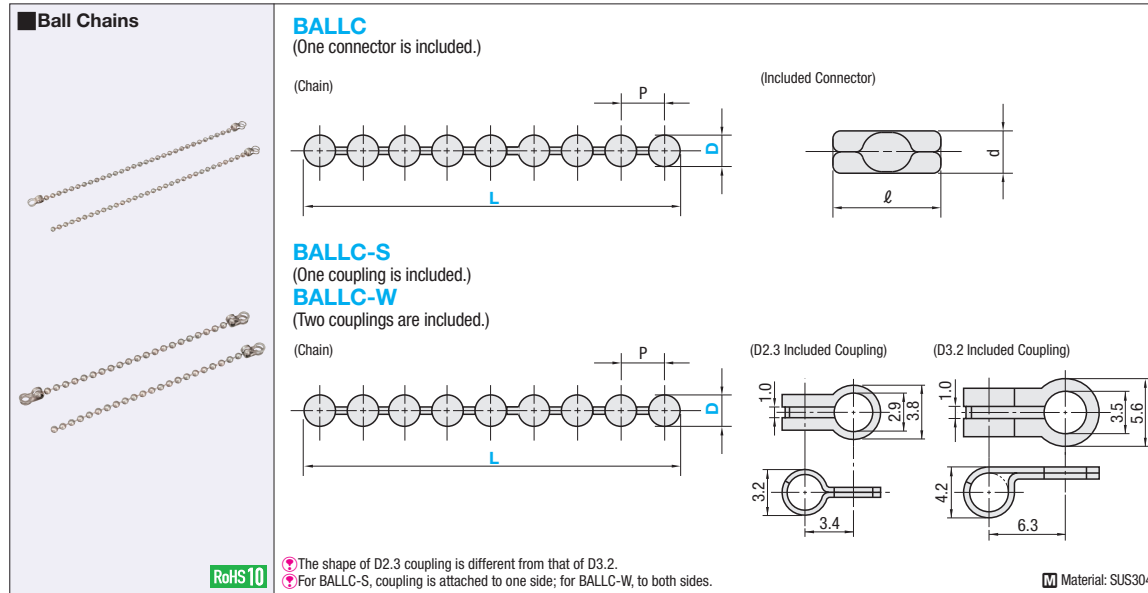


Chains / Connecting Parts



Part Number	L 50mm Increment	P	A	d	Mass	Allowable Load (Ref.)	Unit Price
SCHSP	100~500	5.5	2.5	1.6	57g/m	9kg	
	550~1000						

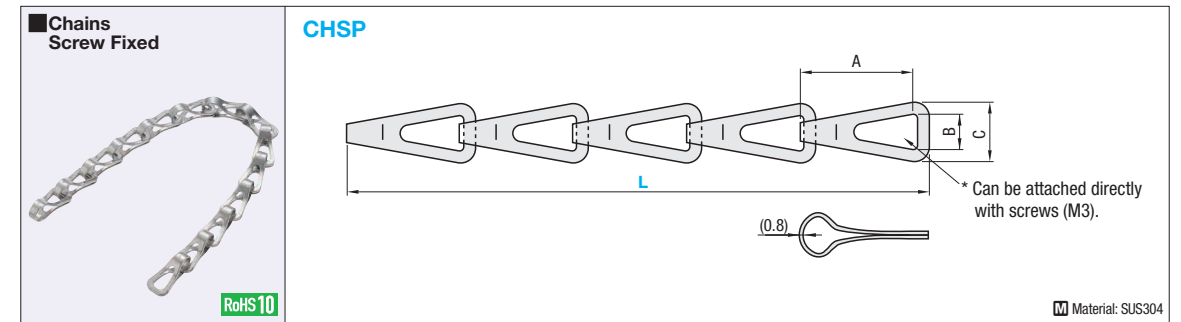
The reference applied load is only a guideline.



Part Number Type	D	L 50mm Increment	P	Allowable Load (Ref.)	Accessory (Connector)		Unit Price		
					d	l	BALLC	BALLC-S	BALLC-W
BALLC (One connector is included.)	2.3	100~500	3.3	4kg	3	8			
		550~1000							
BALLC-S (One coupling is included.)	3.2	100~500	4.4	6kg	4.3	11			
		550~1000							

* Depending on the number of links, the actual L dimension may be slightly longer than the specified dimension.
 The reference applied load is only a guideline. Dimensions of chains and connecting parts are for reference only.

Ordering Example
 Part Number - L
 SCHSP - 600
 BALLC2.3 - 150
 BALLC-W3.2 - 200

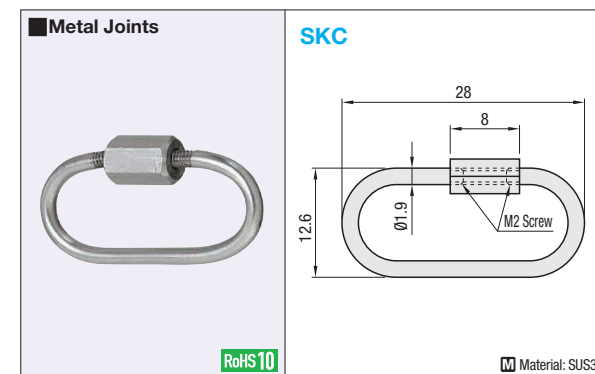


Part Number Type	No.	L 50mm Increment	A	B	C	Plate Thickness	Mass	Applied Load	Unit Price

* Depending on the number of links, the actual L dimension may be slightly longer than the specified dimension. (Connecting parts are not included. Please refer to <http://jp.misumi-ec.com/mech/>.)

The reference applied load is only a guideline.

Ordering Example
 Part Number - L
 CHSP4 - 100

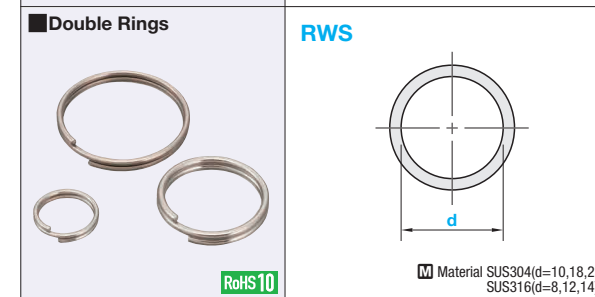
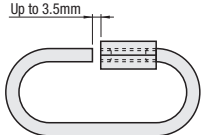


Part Number	Mass	Applied Load	Unit Price	Volume Discount Rate		
SKC	3.2g	20kg		1 ~ 19 pcs.	20 ~ 29 pcs.	30 ~ 49 pcs. 50 ~ 500 pcs.

The reference applied load is only a guideline.

For orders larger than indicated quantity, please check with WOS.

Ordering Example
 Part Number
 SKC



Part Number Type	Wire Dia.	Applied Load (kg)	Unit Price	Volume Discount Rate		
RWS	8	0.8	0.5	1 ~ 3 pc(s).	4 ~ 19 pcs.	20 ~ 49 pcs. 50 ~ 500 pcs.
	10	0.8	0.7			
	12	1	1			
	14	1.2	1			
	18	1	0.7			
22	1.2	1				

Ordering Example
 Part Number
 RWS10