


Hinge Bases

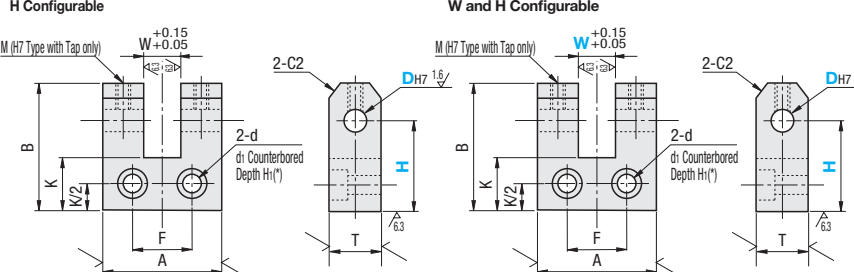
Side Mounting U-Shaped

■ Features: U-Shaped and side mounting can reduce the height.



H Configurable		W and H Configurable		M Material	S Surface Treatment	A Accessory
H7 Type	H7 Type with Tap	H7 SUB	H7 SUBT			
HKSUB	HKSUBT	HGSUB	HGSUBT	S45C	Black Oxide	Set Screws 2 pcs. (SUS304)
HKSUM	-	-	HGSUMT	Equivalent	Electroless Nickel Plating	
HKSUS	-	HGSUS	-	SUS304	-	

25/(√63/1.6/)



RoHS10

Ⓜ For H7 Type, M part doesn't have tap and set screw. Ⓢ Holes for D=2 are through holes, not counterbored.

Part Number		H										Unit Price				
Type	DH7	1mm Increment	W	A	F	B	K	T	d	d1	H1	M	HKSUB	HKSUM	HKSUS	HKSUBT
(H7)	2	15~20	4	13	7	H+3	10	6	3.5	6.5	3.5	M3				
	3	20~25	6	16	8	H+5		9								
	4		8	19	11	H+6		12					12	4.5	8	4.5
	5	25~30	10	25	16	H+8	14	16	5.5	9.5	5.5	M5				
	6		12	32	20	H+10	19									
	8	30~40	12	50	38	H+10	14	16	5.5	9.5	5.5	M6				
	10							18								
	12							22								
	13	35~45	16	36	H+12	15	22	25	6.5	11	6.5	M6				
	14							30								
15	36															
16	40~50	20	65	47	H+14	18	25	9	14	9	M6					
20							30									
25							36									

Ⓜ For detailed dimensions of Hinge Pin, see P.1-908.

Part Number		W		H		A	F	B	K	T	d	d1	H1	M	Unit Price			
Type	DH7	1mm Increment	5mm Increment	A	F	B	K	T	d	d1	H1	M	HGSUB	HGSUS	HGSUBT	HGSUMT		
(H7)	2	3~5	15~20	13	7	H+3	10	6	3.5	6.5	3.5	M3						
	3	3~9	20~25	16	8	H+5		9										
	4	4~12		19	11	H+6		12					12	4.5	8	4.5	M4	
	5	5~15	25~30	25	16	H+8	14	16	5.5	9.5	5.5	M5						
	6	6~18		32	20	H+10	19											
	8	8~24	30~40	50	38	H+10	14	16	5.5	9.5	5.5	M6						
	10	10~30						18										
	12	12~30						22										
	13	13~30	35~45	36	H+12	15	22	25	6.5	11	6.5	M6						
	14	14~30						30										
15	15~30	36																
16	16~30	40~50	65	47	H+14	18	25	9	14	9	M6							
20	20~30						30											
25	25~35						36											

Ⓜ For detailed dimensions of Hinge Pin, see P.1-908.

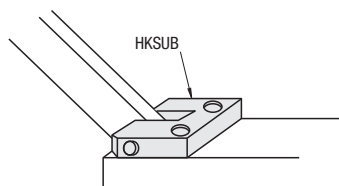
Ⓢ For H7 type with tap, (A-W)/2 ≥ M+2 is required.

Ordering Example
Part Number - H
HKSUB10 - H33

Part Number - W - H
HGSUB10 - W16 - H35




■ Features: Side mounting allows to reduce height.



Hinge Bases

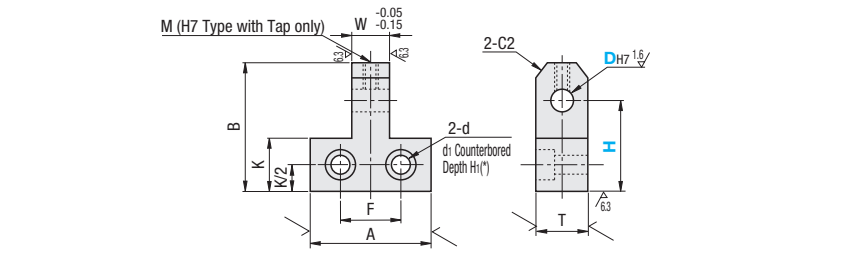
Side Mounting T-Shaped

■ Features: T-Shaped Side Mounting Type.



H Configurable		M Material	S Surface Treatment	A Accessory
H7 Type	H7 Type with Tap			
HKSBB	HKSBBT	S45C Equivalent	Black Oxide	Set Screws 1 pc. (SUS304)
HKSBS	-	SUS304	-	

25/(√63/1.6/)



RoHS10

Ⓜ For H7 Type, M part doesn't have tap and set screw. Ⓢ Holes for D=2 are through holes, not counterbored.

Part Number		H										Unit Price			
Type	DH7	1mm Increment	W	A	F	B	K	T	d	d1	H1	M	HKSBB	HKSBS	HKSBBT
(H7)	2	15~20	4	13	7	H+3	10	6	3.5	6.5	3.5	M3			
	3	15~25	6	16	8	H+5		9							
	4		8	19	11	H+6		12					12	4.5	8
	5	20~30	10	25	16	H+8	14	16	5.5	9.5	5.5	M5			
	6							12							
	8	25~35	12	50	38	H+10	14	16	5.5	9.5	5.5	M6			
	10							18							
	12							22							
	13	30~40	16	36	H+12	15	22	25	6.5	11	6.5	M6			
	14							30							
15	36														
16	35~45	20	65	47	H+14	18	25	9	14	9	M6				
20							30								
25							36								

Ⓜ For detailed dimensions of Hinge Pin, see P.1-908.

Ordering Example
Part Number - H
HKSBB6 - H30

