

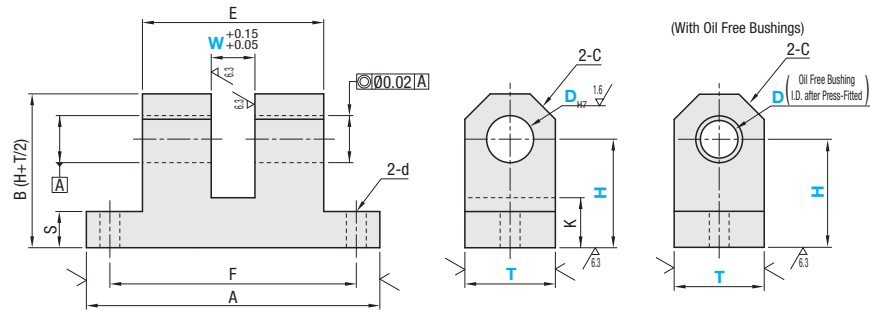
# Thick Hinge Bases

## U-Shaped

■Features: U-Shaped High Strength and Wider than Standard.



Type				Material	Surface Treatment
Standard	A Compact	With Oil Free Bushings	W Selectable		
W Fixed HKNJB HKNJM	W and H Configurable HGNJB HGNJM	W and H Configurable HGNAJB HGNAJS	W Selectable HKNJMB	S45CEquivalent SUS304	Black Oxide Electroless Nickel Plating



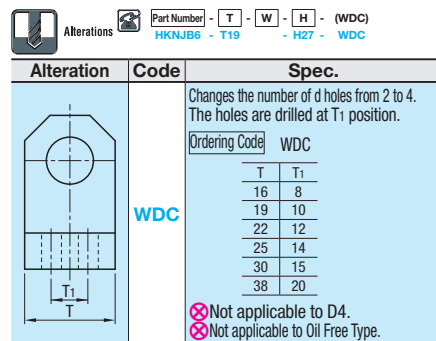
For the comparison of Standard Type and A Compact Type, refer to the table below.

Part Number	T Selection	W				H	Standard			A Compact			K	S	d	C	Unit Price											
		Standard	1mm Increment	A Compact	With Oil Free Bushings		1mm Increment	With Oil Free Bushings	A	F	E	A					F	E	W Fixed	W and H Configurable	With Oil Free Bushings	With Oil Free Bushings						
Standard W Fixed HKNJB HKNJM	4	12	4~12	4~8	6 8 9	17~25	38	29	20	32	25	16	10	5	4.5	3												
W and H Configurable HGNJB HGNJM	5	16	5~15	4~12	6 8 9 10	19~30	50	41	25	38	30	22	12	5	4.5	4												
	6	19	6~18	5~12	6 8 9 10 12	19~30											32	30	22	10	4	5						
A Compact Type W and H Configurable HGNAJB HGNAJS	8	19	8~24	6~18	8 9 10 12 15 20	25~35	65	52	38	50	40	30	14	10	5.5	6												
	10	22	10~30	8~25	15 20 24 30	27~35											62	50	65	55	42	15	6.5	7				
	12	25			27~40	28~40																			27~40	29~45	32~45	29~45
	13	22	28~40	29~45	32~45	29~45											63	15	6.5	7	8							
With Oil Free Bushings W Selectable HKNJMB	14	25	12~25	-	-	32~45	75	63	50	65	55	42	15	6.5	7	8												
	15	30															32~45	29~45	32~45	29~45	7	8						
	16	30															32~45	29~45	32~45	29~45	7	8						
	20	30															32~45	29~45	32~45	29~45	7	8						
	20	38	20~35	15~25	-	35~50	100	82	65	75	60	45	18	9	11													
	25	38	39~50	39~50	10	11																						

\* Dimensions in ( ) are for A Compact Type.

Price of HGNAJB is above price x0.95.

D	T	Unit Price			
		W Fixed	W and H Configurable	W and H Configurable	With Oil Free Bushings
4	12				
5	16				
6	16				
6	19				
8	19				
8	22				
10	19				
10	22				
12	22				
12	25				
13	22				
13	25				
14	25				
14	30				
15	25				
15	30				
16	25				
16	30				
20	30				
20	38				
25	38				



for U-Shaped Type (2 pcs.)			
D	W	d (L.D.)	L (Overall Length)
4	6, 8	4	5
4	9	4	4
5	6	5	8
5	8~10	5	6
6	6	6	12
6	10	6	10
6	12	6	8
8	8~12	8	12
8	15	8	10
8	20	8	8
8	15	10	15
10	20, 24	10	12
10	30	10	8
12	15	12	15
12	20, 24	12	12
12	30	12	8

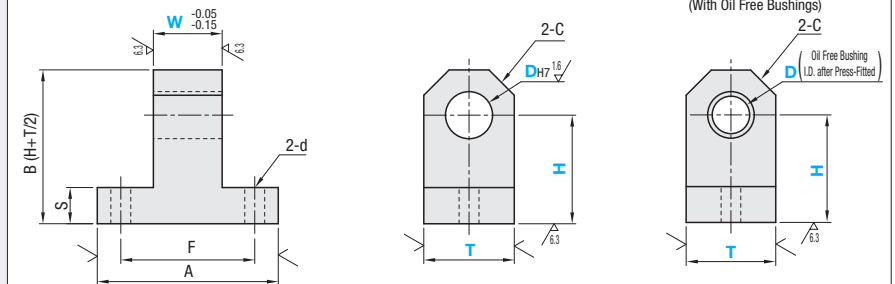
# Thick Hinge Bases

## T-Shaped

■Features: New products can specify H and W dimensions in 1mm increment.



Type				Material	Surface Treatment
Standard	W and H Configurable	W Selectable	With Oil Free Bushings		
W Fixed HKNNB HGNNM	W and H Configurable HGNNB HGNNM	W Selectable HKNMB HKNMM	With Oil Free Bushings HKNMB HKNMM	S45CEquivalent	Black Oxide Electroless Nickel Plating



RoHS10

Part Number	T Selection	W				H	A	F	S	d	C	Unit Price			
		Standard	1mm Increment	With Oil Free Bushings	W Selectable							1mm Increment	W Fixed	W and H Configurable	With Oil Free Bushings
Standard W Fixed HKNNB	4	12	3~8	5 6 8	16~25	25	17	5	4.5	3					
	5	19	5~12	5 6 8	18~30	32	23	5	4.5	4					
W and H Configurable HGNNB HGNNM	6	16	8~16	8 10 12 16	18~30	38	27	10	5.5	5					
	8	19								6					
	10	22	7												
	12	22	6												
With Oil Free Bushings W Selectable HKNMB HKNMM	13	25	10~18	10 12 16 18	26~35	50	37	15	6.5	6					
	14	25								7					
	15	30	8												
	16	25	7												
	16	30	8												
	20	38	7												
25	38	30	20~35	44~55	65	49	9	11	11						



■List of Diameter (DH7), Thickness (T) and Thickness on One Side

DH7	Hinge Bases Standard (P.1577-P.1585)			Hinge Bases Thick		
	T	Thickness on One Side (T-DH7)/2	T	Thickness on One Side (T-DH7)/2	T	Thickness on One Side (T-DH7)/2
4	9	2.5	12	4	-	-
5	12	3.5	16	5.5	7	7
6	12	3	16	5	19	6.5
8	16	4	19	5.5	22	7
10	16	3	19	4.5	22	6
12	19	3.5	22	5	25	6.5
13	19	3	22	4.5	25	6
14	22	4	25	5.5	30	8
15	22	3.5	25	5	30	7.5
16	25	3	28	4.5	30	7
20	25	2.5	30	5	38	9
25	30	2.5	38	6.5	-	-

■Features: ① The hole's thickness on one side is selectable by working load. ② New products can specify H and W dimensions in 1mm increment.

