

Hinge Bases

Fixed

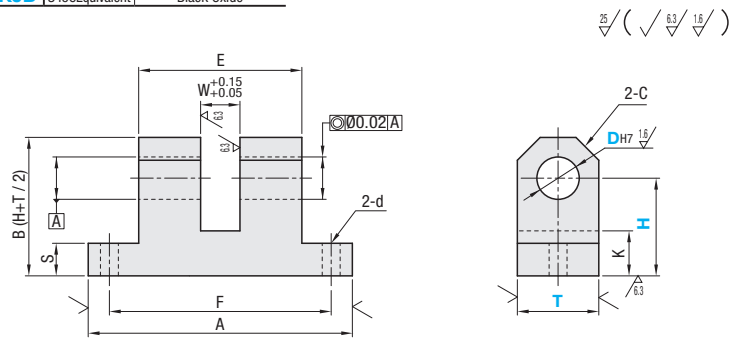
■ Features: Hinge Bases in stock whose T (thickness) and H (height) to DH7 are selectable from two dimensions.

U-Shaped

Type	Material	Surface Treatment
HKNKJB	S45CEquivalent	Black Oxide



RoHS 10



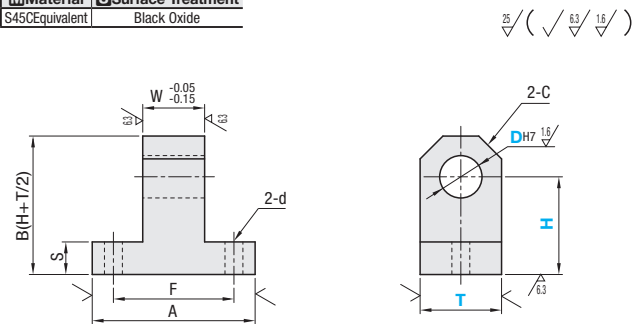
Part Number Type	DH7	T Selection	H Selection	W	A	F	E	K	S	d	C	Unit Price	
HKNKJB	5	12	20 25	6	38	30	22	12	5	4.5	3		
		16	4										
	6	12	20 25	8	50	40	30	14	10	5.5	3		
		16	4										
	8	16	25 30	10	65	55	42	14	10	5.5	4		
		19	5										
	10	16	25 30	12								4	
		19	5										
	12	19	30 35									5	
		22	6										

T-Shaped

Type	Material	Surface Treatment
HKNKB	S45CEquivalent	Black Oxide



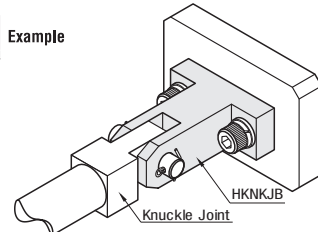
RoHS 10



Part Number Type	DH7	T Selection	H Selection	W	A	F	S	d	C	Unit Price
HKNKB	5	12	20 25	6	25	18	5	4.5	3	
		16	4							
	6	12	20 25	8	32	25	10	5.5	3	
		16	4							
	8	16	25 30	10					4	
		19	5							
	10	16	25 30	12					4	
		19	5							
	12	19	30 35						5	
		22	6							

Ordering Example: Part Number - T - H
HKNKB8 - T16 - H25

Example



Hinge Plates

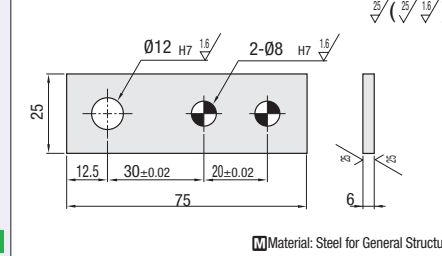
■ Features: Economical Square Type and Flexible Dimension R Type are available.

Square

HPAN



RoHS 10



Material: Steel for General Structure

Part Number	Unit Price
HPAN	

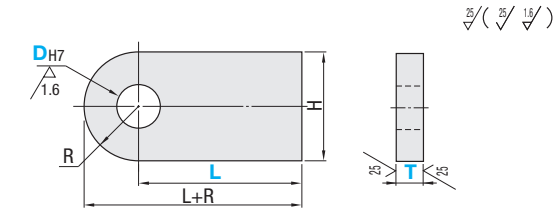
Ordering Example: Part Number HPAN

Type R

HPE



RoHS 10



Material: SS400

Part Number Type	D	10mm Increment L	T Selection	R	H	Unit Price
HPE	8	40~100	9 12 15 16	11	22	
	10			12.5	25	
	12			16	32	
	16			19	38	
	20			25	50	

Ordering Example: Part Number - L - T
HPE12 - 100 - 16

Alterations: Part Number - L - T - (WCC)
HPE12 - 100 - 16 - WCC10

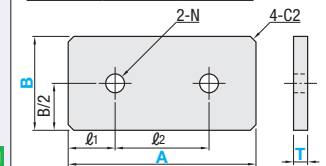
Alterations	Code	Spec.
	WCC	The corners on both sides can be cut in any given length. WCC=1mm Increment 1 ≤ WCC < H/2

Economy Type

Type	Material	Surface Treatment
JNPB	SPCC	Trivalent Bright Chrome
JNPS	SUS304	-



RoHS 10



Part Number Type	A	B	T		l1	l2	N	Unit Price			
			JNPB	JNPS				T2.0	T4.5	T2.0	T4.0
JNPB	30	10 20	2.0	2.0	5	20	4.5				
	40	10 20 30									
	50	10 20 30 40									
JNPS	60	10 20 30 40 50	4.5	4.0	10	50	5.5				
	70	10 20 30 40 50									
	80	10 20 30 40 50									
	90	10 20 30 40 50									
	100	10 20 30 40 50									

Ordering Example: Part Number - B - T
JNPB50 - 30 - 2.0