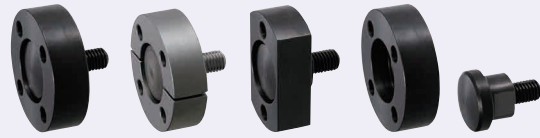


Floating Joints Flange Mounting

[Threaded] Standard Type

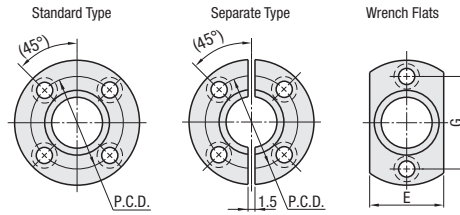
■ Features: Connector can be fixed securely by a flange.



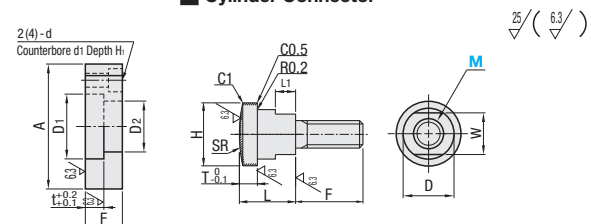
RoHS 10

Set			Type			Material	Hardness		Surface Treatment		
Standard	Separate	Wrench Flats	F Fixed	F Configurable	Flange only		Flange	Connector			
FJMA	FJMB	FJMC	FJCNF	FJCNR	FJA-H	FJB-H	FJC-H	S45C	40HRC~ 45HRC~	Section from 45 HRC Induction Hardened	Black Oxide
FJMAS	FJMBS	FJMCS	FJCNFS	FJCNRS	FJAS-H	FJBS-H	FJCS-H	SUS440C or 13Cr stainless	45HRC~		-

Mount Flanges



Cylinder Connector



⊕ SUS440C or 13Cr stainless Hardened Type may be discolored due to hardening. ⊕ Refer to Allowable Misalignment on the right-hand page.

Set

Part Number	Type	Mount Flanges										Cylinder Connector										Unit Price						
		M	A	D1	D2	t	F	P.C.D.	d	d1	H1	E	G	MxPitch	F	L	D	H	T	W	L1	SR	FJMA	FJMB	FJMC	FJMAS	FJMBS	FJMCS
Standard	3	42	18	13	5	10	30	4.5	8	5	24	30	3x0.5	5	14	12	17	5	10	6	40							
FJMA	4												4x0.7	6														
FJMAS	5												5x0.8	7														
Separate	6	48	20	15	6	12	34	6	9.5	5.5	28	34	6x1.0	10	16	14	19	6	12	8	50							
FJMB	8	51	24	17	8	16	37	7	11	6	30	37	8x1.25	12	20	16	23	8	14	10	60							
FJMBS	10	54	28	21	8	16	40	7	11	6	32	40	10x1.5	15	20	20	27	8	17	10	60							
Wrench Flats	12	70	36	27	10	20	52	10	14	8	42	52	12x1.75	16	25	25	34	10	22	12	100							
FJMC	16	90	46	35	12	24	68	12	17.5	10	54	68	16x2.0	18	30	32	43	12	27	15	100							
FJMCS	20	106	56	44	15	30	80	14	20	12	66	80	20x2.5	25	55	40	52	15	32	18	200							
	22												22x2.5	28														

Connector only (See the Set Size Table for detailed sizes.)

Part Number	Type	Mount Flanges			Cylinder Connector			Unit Price		
		M	Fixed	F	FJCNF	FJCNFS	FJCNR	FJCNRS	FJMA	FJMB
F Fixed	3	5	5-8							
FJCNF	4	6	5-10							
FJCNFS	5	7	5-12							
F Configurable	6	10	6-18							
FJCNR	8	12	10-25							
FJCNRS	10	15	10-25							
	12	16	12-36							
	16	18	15-40							
	20	25	20-60							
	22	28	-							

Flange only (See the Set Size Table for detailed sizes.)

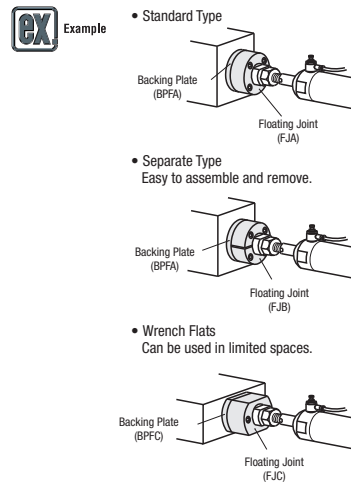
Part Number	Type	Mount Flanges			Cylinder Connector			Unit Price		
		M	FJA-H	FJB-H	FJC-H	FJAS-H	FJBS-H	FJCS-H	FJMA	FJMB
Standard	3									
FJA-H	4									
FJAS-H	5									
Separate	6									
FJB-H	8									
FJBS-H	10									
Wrench Flats	12									
FJC-H	16									
FJCS-H	20									
	22									

Ordering Example
 • Connector only F Configurable
 Part Number - F
 FJCNR10 - 15

• Other Than Above
 Part Number
 FJMA10
 FJB-H14

Alterations
 Part Number - F - (AWC)
 FJMA10
 FJCNRS - 12 - NC

Alteration	Flange Cut		Undercut Processing
	Code	Spec.	
	AWC	NC	
	Cuts four sides of the flange. (Ordering Code) AWC ⊕ Standard Type only (Not applicable to FJMA22)		Machines an undercut at the base of threads. (Ordering Code) NC ⊕ Applicable to FJCNR and FJCNRS only.
	M	K	
	3, 4	32	
	5, 6	36	
	8	40	
	10	42	
	12	54	
	16	68	
	20, 22	80	



Floating Joints Flange Mounting

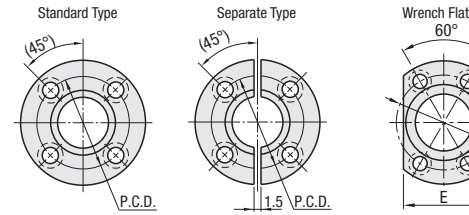
[Threaded] Space Saving Type

■ Features: Compact Type with small diameter of a mounting screw. Floating Connectors for Air Cylinders.

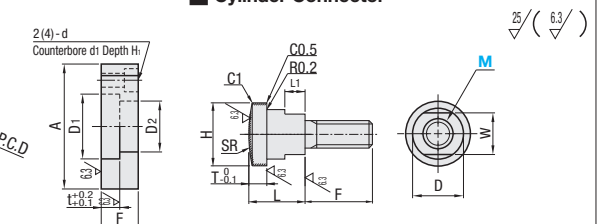


Set			Type			Material	Hardness		Surface Treatment	
Standard	Separate	Wrench Flats	L Fixed	Standard	Separate		Flange	Connector		
FJUMA	FJUMB	FJUMC	FJUNF	FJUA-H	FJUB-H	FJUC-H	S45C	40HRC~ 45HRC~	Section from 45 HRC Induction Hardened	Black Oxide
FJUMAS	-	FJUMCS	FJUNFS	FJUA-H	FJUBS-H	FJUCS-H	SUS440C or 13Cr stainless	45HRC~		-

Mount Flanges



Cylinder Connector



⊕ SUS440C or 13Cr stainless Hardened Type may be discolored due to hardening.

Set

Part Number	Type	Mount Flanges										Cylinder Connector										Unit Price				
		M	A	D1	D2	t	F	P.C.D.	d	d1	H1	E	MxPitch	F	L	D	H	T	W	L1	SR	FJUMA	FJUMAS	FJUMB	FJUMC	FJUMCS
Standard	5												5x0.8	10	14	12	16	5	10	3	50					
FJUMA	6	34	17	13			24		4.5	8	5		6x1.0	13												
FJUMAS	8												8x1.25	15	15	16	22									
Separate	10	40	23	17			30						10x1.5	18												
FJUMB	12	52	32	24	5.5	12	40	6	9.5	5.5	34	12x1.75	22	16	22	30	5.5	19		4	100					
FJMBS	16	62	39	31	8	16	48	7	11	6	41	16x2.0	30	20	28	36	8	21								
Wrench Flats	20												20x2.5	32												
FJUMC	22	74	46	36	10	20	58	10	14	8	48	22x2.5	35	25	32	42	10	26	5	200						

Connector only (See the Set Size Table for detailed sizes.)

Part Number	Type	Mount Flanges			Cylinder Connector			Unit Price		
		M	FJUNF	FJUNFS	FJUA-H	FJUBS-H	FJUCS-H	FJUMA	FJUMAS	FJUMB
FJUNF	5									
FJUNFS	6									
	8									
	10									
	12									
	16									
	20									
	22									

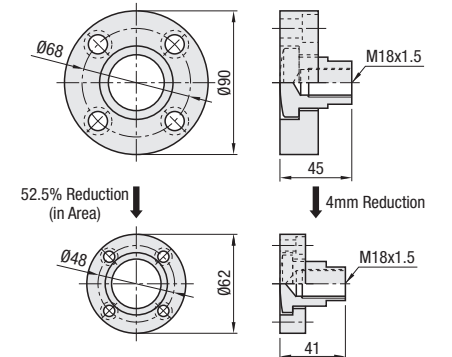
Flange only (See the Set Size Table for detailed sizes.)

Part Number	Type	Mount Flanges			Cylinder Connector			Unit Price		
		M	FJUA-H	FJUBS-H	FJUB-H	FJUBS-H	FJUC-H	FJUCS-H	FJUMA	FJUMAS
Standard	5									
FJUA-H	6									
FJUBS-H	8									
Separate	10									
FJUB-H	12									
FJUBS-H	16									
Wrench Flats	20									
FJUC-H	22									
FJUCS-H										

Allowable Misalignment (mm)

M	U
3-10	0.5
12, 14	1
16, 18	1.5
20, 22	2

Comparison between Standard Shape Type and Space Saving Shape Type (when M=18 Tapped Type)



Ordering Example
 Part Number
 FJUMA5
 FJUBS-H12