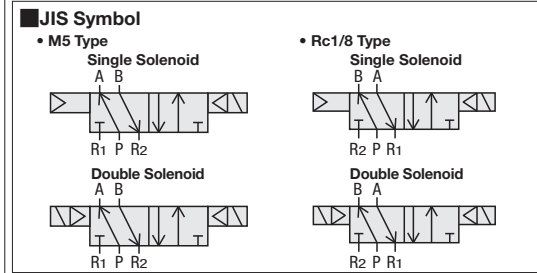
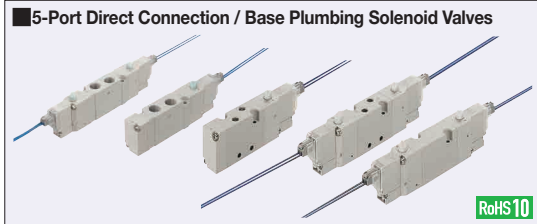
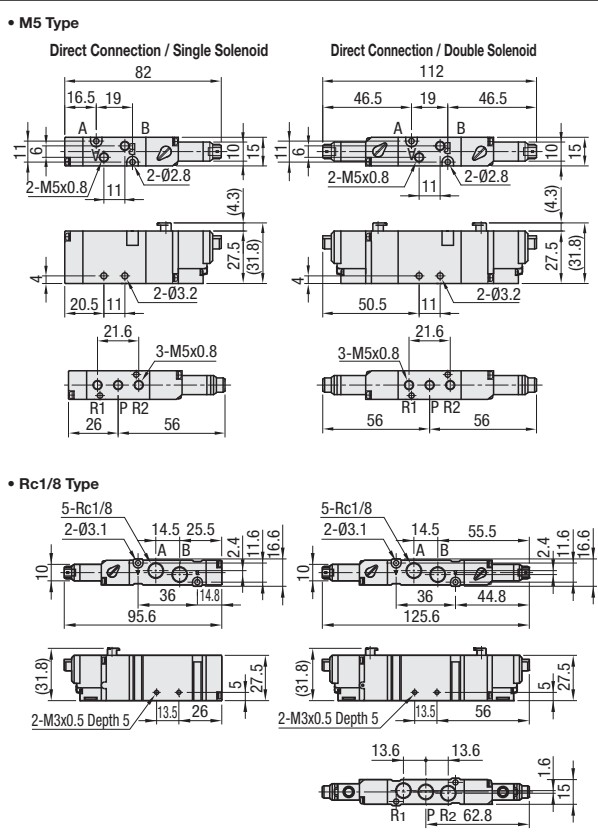


# Solenoid Valves

## 5-Port



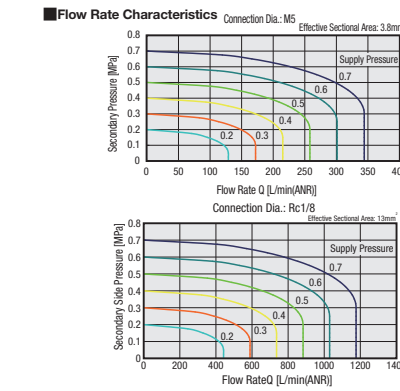
- Features**
- Direct Connection Type can be directly connected to the pipes.
  - Base Plumbing Type must be attached on the base unit (P1504) for connection. Can not be directly connected to the solenoid valve. For using this type, please purchase base unit separately.
  - External dimensions of this type are the same as those of Direct Connection Type.
- Direct Connection Type**
- Base Plumbing Type**
- Precautions for Use**
- Operating Environment
    - Use the solenoid valves at temperatures between 5 and 50 °C. Avoid any use and storage in a corrosive atmosphere.
    - Do not use the solenoid valves in such locations as where water or oil splash and dusty area.
  - Fluid Quality
    - When compressed air is used as a fluid, remove drainage and dust through an air filter.
    - Can be used without lubrication maintenance. Use turbine oil "ISO VG32" if any lubricant is to be added.
  - Continuous Current
    - If a valve is continuously energized for long periods, heat generation of the coil may result in reduced performance and shorter service life. Please set the valve to make the nonenergized period longer.
  - Installation
    - The valve must be installed by mounting the body and must not be supported by the plumbing.
  - Maintenance
    - Before the maintenance, be sure that you have turned off the power, stopped the compressed air supply, and no residual pressure left.
    - Do not disassemble the solenoid valves.



**A** Accessory: Base Plumbing Type only; Gaskets (NBR) / Mounting Screws (SS400 Nickel Plating) Lead Wire: 500mm

**Basic Specifications of Solenoid Valves**

Connection Dia.	M5	Rc1/8
Effective Sectional Area	3.8mm <sup>2</sup>	13mm <sup>2</sup>
Valve Type	Pilot-Operated, 5-Port	
Number of Ports	5	
Number of Positions	2	
Applicable Fluid	Air	
Operating Pressure	0.15~0.7MPa	
Pressure Resistance	1.0MPa	
Response Time	30ms	19ms
Operating Temp. Range	5 ~ 50°C	
Rated Voltage	24VDC, 100VAC, 200VAC	
Power Consumption	2.1/1.8VA(50/60Hz AC), 1.8W(DC)	1.6/2.5VA(50/60Hz AC), 1.2W(DC)
Allowable Voltage Range	±10%	
Insulation Class	B Type	F Type



Check for the following when operating condition is poor.

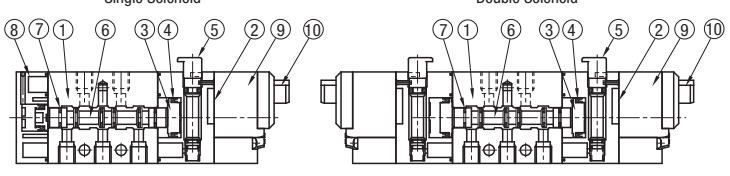
- Whether the operating pressure is 0.15 ~ 0.7MPa. (Not operational at less than 0.15MPa.)
- If operated within the range of rated voltage.

Type	Connection Dia.	Part Number		Valve Voltage (V)
		Solenoid	Plumbing Method	
MD	SY (M5)	S (Single Solenoid)	No Symbol (Direct Connection Type)	A (24VDC)
	MY (Rc1/8)	D (Double Solenoid)	M (Base Plumbing Type)	B (100VAC) C (200VAC)

**Ordering Example**

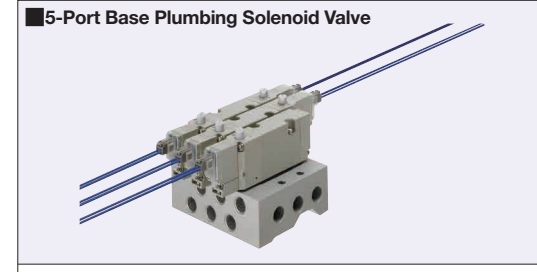
Type	Connection Dia.	Solenoid	Plumbing Method	Valve Voltage (V)
MD	SY	S	M	A
MD	MY	D	M	C

**Cross Section Structure Diagram** \*The figures below are for Direct Connection Type, but the components are in common with the Base Plumbing Type.



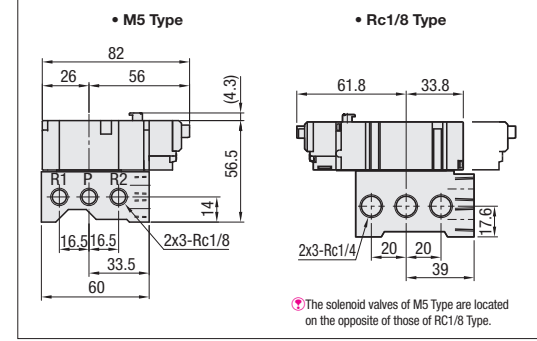
**Component List**

Part Number	Name	Material	Part Number	Name	Material
①	Main Body	A6061	⑥	Spool Valve	A6061
②	Pilot Body	PBT	⑦	Spool Valve Gasket	NBR
③	Piston	POM	⑧	End Cover	PBT
④	Piston Gasket	NBR	⑨	Coil	
⑤	Push Button	POM	⑩	Connector Cord	



**MSSY** (Base for M5 Type + Solenoid Valve)  
**MSSYB** (Base for M5 Type)

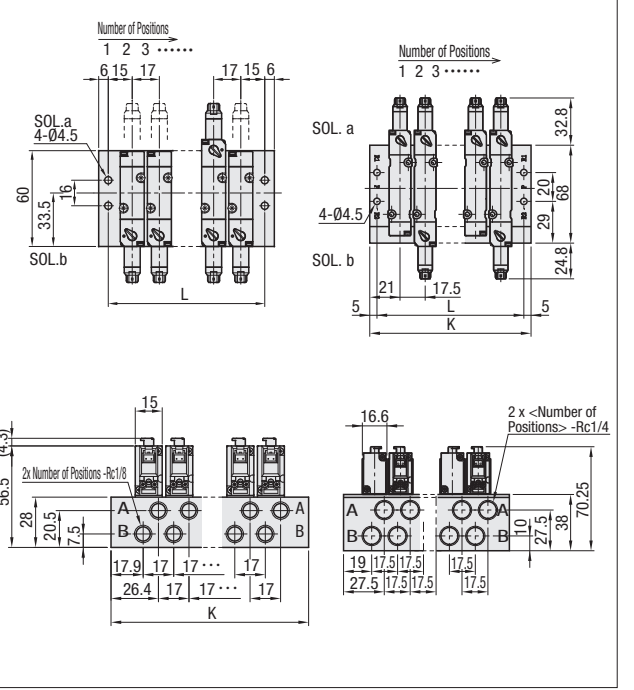
**MSMY** (Base for Rc1/8 Type + Solenoid Valve)  
**MSMYB** (Base for Rc1/8 Type)



**Arrangement and Selecting Order of Solenoid Valve Installation**

**M5 Type**

**Rc1/8 Type**



Part Number	Specify only for Base + Solenoid Valve Type		M5 Type			Rc1/8 Type			Solenoid Valve Mass (g)	M5 Type		Rc1/8 Type	
	1 ~ 12 Position	Solenoid Valve Type	L	K	Base Mass (g)	L	K	Base Mass (g)		Base Unit Price	Additional Price for Solenoid Valve	Base Unit Price	Additional Price for Solenoid Valve
Type	Number of Positions	Solenoid Valve Type											
(Base + Solenoid Valve Type)	1	S (Single) D (Double)	30	42	140	32	42	217	(M5) Single 68 Double 80 (Rc1/8) Single 68 Double 87				
	2		47	59	203	49.5	59.5	303					
	3		64	76	266	67	77	387					
	4		81	93	329	84.5	94.5	474					
	5		98	110	392	102	112	558					
	6		115	127	455	119.5	129.5	640					
	7		132	144	518								
	8		149	161	581								
	9		166	178	644								
	10		183	195	707								
	11		200	212	770								
	12		217	229	833								

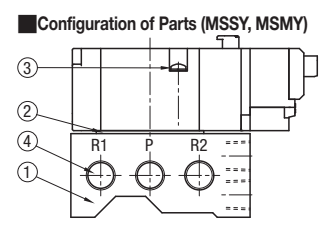
**Ordering Example**

Part Number - 1 Position - 2 Positions - 3 Positions - 4 Positions - ... - 12 Positions

MSSY12 - SA - DA - DC - SB - ... - DB

MSSY3 - SA - DA - DC

MSSYB6



**Parts Material Table**

Part Number	Name	Material
①	Base	A6061
②	Gasket	NBR
③	Set Screw	SS400
④	Plug	Nickel Plating

