

Suction Cup Fittings (With Pads)

Oval Type / Thin Object Type

Fixed Type Up: One-Touch (Shape K)

Type	Accessory	Pad Shape	Pad Material
MVEKN	VPET	Oval	Nitrile Rubber
MVEKS	VPES	Oval	Silicon Rubber
MVPKS	VPTS	For Thin Object	Nitrile Rubber
MVPKSS	VPTSS	For Thin Object	Phlorosilicon

Oval Type No.4-10-6-30

Thin Object Type No.8, 10, 15, 20

RoHS 10

Fitting Material: Brass Surface Treatment: Electroless Nickel Plating

Spring Type Up: One-Touch (Shape T)

Type	Accessory	Pad Shape	Pad Material
MVETN	VPET	Oval	Nitrile Rubber
MVETS	VPES	Oval	Silicon Rubber
MVPTS	VPTS	For Thin Object	Nitrile Rubber
MVPTSS	VPTSS	For Thin Object	Phlorosilicon

Oval Type No.4-10-6-30

Thin Object Type No.8, 10, 15, 20

RoHS 10

Fitting Material: Brass Surface Treatment: Electroless Nickel Plating

Part Number	Pad Material	No.	X	Y	Mass g	Unit Price 1 ~ 30 pc(s).
MVEK (Oval)	NS	4-10	4	10	31.5	MVEKN MVEKS
		4-20	4	20	32	
		4-30	4	30	32.5	
		5-10	5	10	31.5	
		5-20	5	20	32	
		5-30	5	30	32.5	
		6-10	6	10	31.5	
		6-20	6	20	32	
		6-30	6	30	32.5	

Part Number	Pad Material	No.	X	Y	Spring Max. Load (N)	Mass g	Unit Price 1 ~ 30 pc(s).
MVET (Oval)	NS	4-10	4	10	35	8.9	MVETN MVETS
		4-20	4	20	35.5		
		4-30	4	30	36		
		5-10	5	10	35		
		5-20	5	20	35.5		
		5-30	5	30	36		
		6-10	6	10	35		
		6-20	6	20	35.5		
		6-30	6	30	36		

Part Number	Pad Material	No.	d	L1	B	L2	Mass g	Unit Price 1 ~ 30 pc(s).
MVPK (Thin Object Type)	SS	8	8	5.5	30.3	8	10.2	MVPKS MVPKSS
		10	10	5.8	30.6	8.3	10.2	
		15	15	6.5	31.3	9	10.3	
		20	20	7.3	32.1	9.8	10.4	

Part Number	Pad Material	No.	d	L1	B	L2	Spring Max. Load (N)	Mass g	Unit Price 1 ~ 30 pc(s).
MVPT (Thin Object Type)	SS	8	8	5.5	42.2	16.5	8.9	8.9	MVPTS MVPTSS
		10	10	5.8	42.5	16.8	8.9	8.9	
		15	15	6.5	43.2	17.5	9.0	9.0	
		20	20	7.3	44	18.3	9.1	9.1	

Spring Type Side: One-Touch (Shape L)

Type	Accessory	Pad Shape	Pad Material
MVELN	VPET	Oval	Nitrile Rubber
MVELS	VPES	Oval	Silicon Rubber
MVPLS	VPTS	For Thin Object	Nitrile Rubber
MVPLSS	VPTSS	For Thin Object	Phlorosilicon

Oval Type No.4-10-6-30

Thin Object Type No.8, 10, 15, 20

RoHS 10

Fitting Material: Brass Surface Treatment: Electroless Nickel Plating

Direct-Mount Spring Type - Screw (Shape S)

Type	Accessory	Pad Shape	Pad Material
MVESN	VPET	Oval	Nitrile Rubber
MVESL	VPES	Oval	Silicon Rubber
MVPSS	VPTS	For Thin Object	Nitrile Rubber
MVPSSS	VPTSS	For Thin Object	Phlorosilicon

Oval Type No.4-10-6-30

Thin Object Type No.8, 10, 15, 20

RoHS 10

Fitting Material: Brass Surface Treatment: Electroless Nickel Plating

Part Number	Pad Material	No.	X	Y	Spring Max. Load (N)	Mass g	Unit Price 1 ~ 30 pc(s).
MVEL (Oval)	NS	4-10	4	10	46.5	14.2	MVELN MVELS
		4-20	4	20	47		
		4-30	4	30	47.5		
		5-10	5	10	46.5		
		5-20	5	20	47		
		5-30	5	30	47.5		
		6-10	6	10	46.5		
		6-20	6	20	47		
		6-30	6	30	47.5		

Part Number	Pad Material	No.	X	Y	Spring Max. Load (N)	Mass g	Unit Price 1 ~ 30 pc(s).
MVES (Oval)	NS	4-10	4	10	54	14.2	MVESN MVELS
		4-20	4	20	54.5		
		4-30	4	30	55		
		5-10	5	10	54		
		5-20	5	20	54.5		
		5-30	5	30	55		
		6-10	6	10	54		
		6-20	6	20	54.5		
		6-30	6	30	55		

Part Number	Pad Material	No.	d	L1	B	L2	Spring Max. Load (N)	Mass g	Unit Price 1 ~ 30 pc(s).
MVPL (Thin Object Type)	SS	8	8	5.5	39.5	23.5	14.2	14.2	MVPLS MVPLSS
		10	10	5.8	39.8	23.8	14.2	14.2	
		15	15	6.5	40.5	24.5	14.3	14.3	
		20	20	7.3	41.3	25.3	14.4	14.4	

Part Number	Pad Material	No.	d	L1	B	L2	Spring Max. Load (N)	Mass g	Unit Price 1 ~ 30 pc(s).
MVPS (Thin Object Type)	SS	8	8	5.5	30.5	21	14.2	14.2	MVPSL MVPSLS
		10	10	5.8	30.8	21.3	14.2	14.2	
		15	15	6.5	31.5	22	14.3	14.3	
		20	20	7.3	32.3	22.8	14.4	14.4	

Spring Type Long Stroke (Shape R)

Type	Accessory	Pad Shape	Pad Material
MVERN	VPET	Oval	Nitrile Rubber
MVERS	VPES	Oval	Silicon Rubber

RoHS 10

Fitting Material: Brass Surface Treatment: Electroless Nickel Plating

Part Number	Pad Material	No.	X	Y	B	L1	L2	Spring Max. Load (N)	Mass g	Unit Price 1 ~ 20 pc(s).
MVER (Oval)	NS	4-10	4	10	37.5	14.2	14.2	3.3-10.0	37.5	MVERN MVERS
		4-20	4	20	38				38	
		4-30	4	30	38.5				38.5	
		5-10	5	10	37.5				37.5	
		5-20	5	20	38				38	
		5-30	5	30	38.5				38.5	
		6-10	6	10	37.5				37.5	
		6-20	6	20	38				38	
		6-30	6	30	38.5				38.5	

Caution for installation of Suction Cup Fittings

For Spring Type, Mount Fittings without tightening the Shaft parts with spanner, etc. Otherwise, the Shaft key groove may be deformed, and may cause malfunction.

Ordering Example: VPET4-10

Suction Cup Units

Oval Type / Thin Object Type

Suction Cup Units Oval Type

RoHS 10

Type	Material	Pad Shape	Hardness	Color
VPET	Nitrile Rubber	Oval	Shore A55	Black
VPES	Silicon Rubber	Oval	Shore A55	Milky White

Oval Type

No. 4-10, No. 4-20, No. 4-30, No. 5-10, No. 5-20, No. 5-30, No. 6-10, No. 6-20, No. 6-30

Suction Cup Units Thin Object Type

RoHS 10

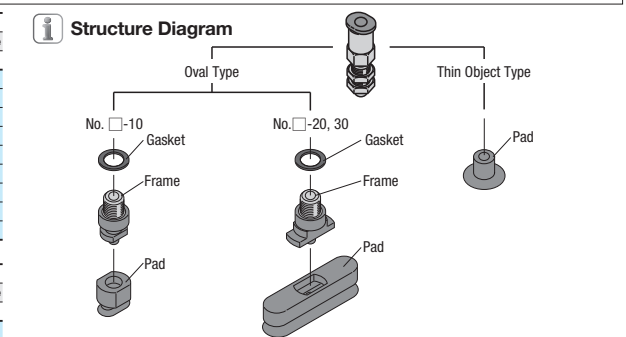
Type	Material	Hardness	Color
VPTS	Nitrile Rubber	Shore A55	Black
VPTSS	Phlorosilicon	Shore A55	Light Brown

Thin Object Type

No.8, No.10, No.15, No.20

Part Number	Applicable Vacuum Fitting	Mounting	VPET	VPES
VPET VPES	4-10	Embedded	1-9 pc(s)	10-30
	4-20		10-30	
	4-30		10-30	
	5-10		10-30	
	5-20		10-30	
	5-30		10-30	
	6-10		10-30	
	6-20		10-30	

Part Number	Applicable Vacuum Fitting	Mounting	VPTS	VPTSS
VPTS VPTSS	8	Embedded	1-9 pc(s)	10-50
	10		10-50	
	15		10-50	
	20		10-50	



Specifications

Type	VPET, VPES	VPTS, VPTSS
Max. Operating Temp.	110°	180°
Min. Operating Temp.	-30°	-50°
Weather Resistance	△	○
Ozone Resistance	△	○
Acid Resistance	△	○
Alkali Resistance	△	○
Oil (Gasoline, Light Oil)	△	○
Resistance (Benzene, Toluene)	△	○
Surface Resistivity	-	-

Example

- Oval Type is suitable for workpiece requiring several small pads.
- Thin Object Type is suitable for conveying a thin paper-like object such as vinyl.

Ordering Example: VPTS8

