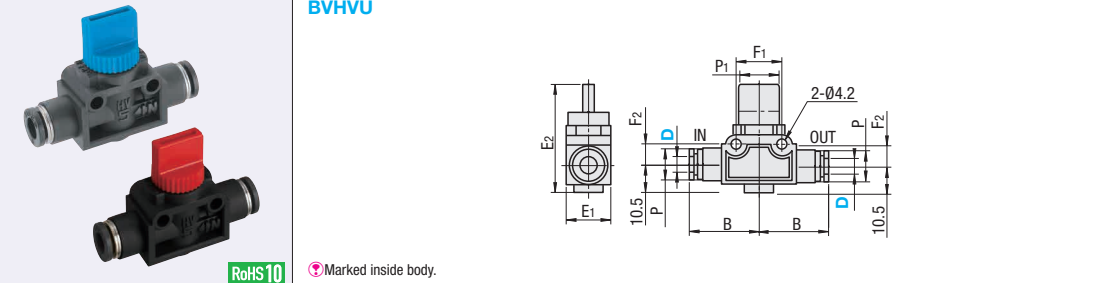



Comparison points with similar parts | RoHS Compliant. Cap Lever color is selectable.

Comparison points with similar parts | Not RoHS Compliant

Page of similar parts P.1409

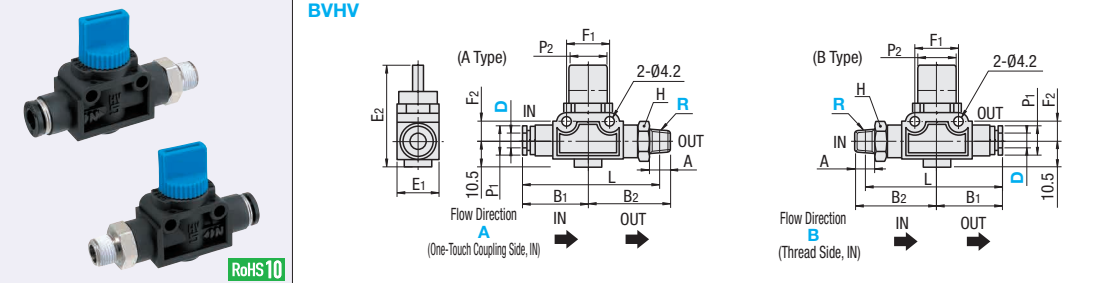
BVHVU




RoHS 10  Marked inside body.

Part Number		2-Way / 3-Way Valve Selection	Handle Color	E1	E2	P	P1	B	F1	F2	Effective Sectional Area (mm ²)	Mass (g)	Unit Price 1 ~ 9 pc(s).	Volume Discount Rate 10~30
Type	Tube O.D. (mm) D													
BVHVU	4	2 (2-Way Valve) 3 (3-Way Valve)	Not Specified (Blue) R (Red)	17	40.5	10	16.5	25.8	18	8	3.4	24		
	6			17	40.5	12.5	16.5	26.4	18	8	7.2	25		
	8			17	40.5	15	16.5	27.7	18	8	8.7	28		
	10			21.7	41	17.5	19.5	32.2	24	11	17.4	45		
	12			21.7	41	21	19.5	34.9	24	11	18.1	51		

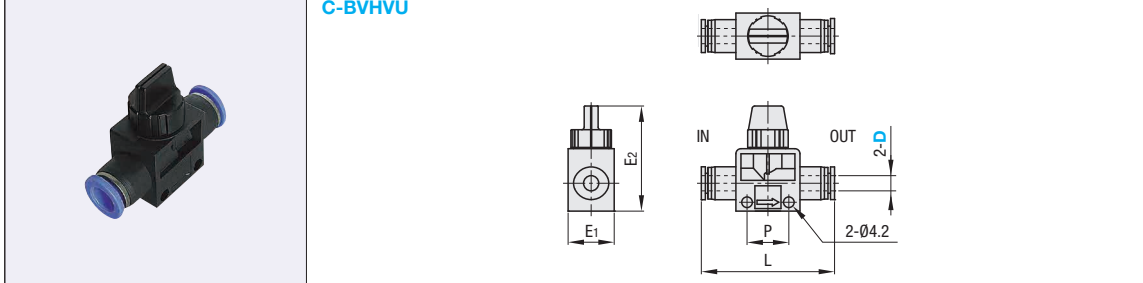
BVHV



RoHS 10 

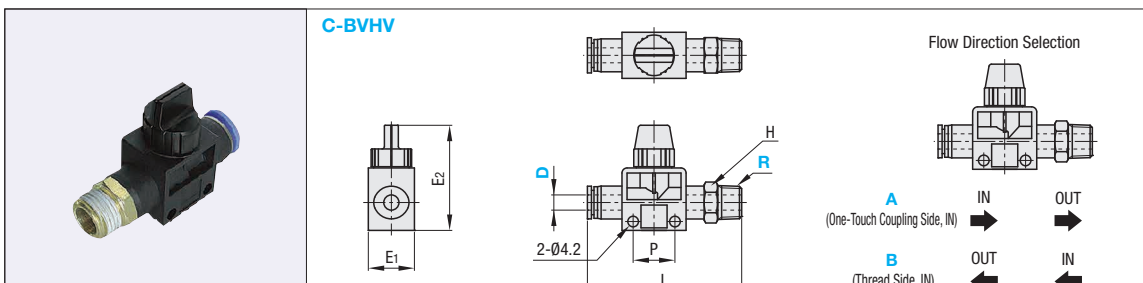
Part Number	Type	Tube O.D. (mm) D	R (PT) Selection	2-Way / 3-Way Valve Selection	Flow Direction	A	E1	E2	L	P1	P2	B1	B2	H (Wrench Flats)	F1	F2	Effective Sectional Area (mm ²)		Mass (g)	Unit Price 1 ~ 9 pc(s).	Volume Discount Rate 10~30	
																	A Type	B Type				
BVHV	6	6	1 (R1/8)	2 (2-Way Valve)	A	8		55.9						33.5	14	18	8	7.5	8.3	34		
			2 (R1/4)			11	17	40.5	56.8	12.5	16.5	26.4	36.5	14	18	8	7.7	8.5	40			
			3 (R3/8)			12		58.3				38.3	17				7.5	8.2	53			
			1 (R1/8)			8		57.2				33.5	14				8.7	8.9	35			
			2 (R1/4)			11	17	40.5	58.2	15	16.5	27.7	36.5	14	18	8	8.9	8.9	41			
			3 (R3/8)			12		59.7				38.3	17				8.6	8.9	54			
	8	8	8	2 (R1/4)	3 (3-Way Valve)	B	11		68.7					42.5	17	24	11	16.2	16.6	62		
				3 (R3/8)			12	21.7	41	69.4	17.5	19.5	32.2	43.5	17	24	11	16	16.9	71		
				4 (R1/2)			15		70.5				46.5	21				15.7	16.5	93		
				2 (R1/4)			11		71.4				42.5	17				16.3	17	66		
				3 (R3/8)			12	21.7	41	72.1	21	19.5	34.9	43.5	17	24	11	16.3	17.1	74		
				4 (R1/2)			15		73.2				46.5	21				16.1	16.8	96		

C-BVHVU



Part Number		2-Way / 3-Way Valve Selection	L	P	E1	E2	Unit Price
Type	D						
C-BVHVU	6	2 (2-Way Valve) (Blue Lever) 3 (3-Way Valve) (Black Lever)	51.6	16.5	18	41.5	
	8		52.6	16.5	18	41.5	
	10		63.7	21.5	22	46	
	12		64.1	21.5	22	46	

C-BVHV



Flow Direction Selection

A (One-Touch Coupling Side, IN) → IN → OUT

B (Thread Side, IN) ← OUT ← IN

Part Number		R (PT) Selection	2-Way / 3-Way Valve Selection	Flow Direction	L	P	H	E1	E2	Unit Price
Type	Applicable Tube Outer Dia. D									
C-BVHV	6	1 (R1/8)	2 (2-Way Valve) (Blue Lever)	(One-Touch Side → Thread Side) A	58.3	16.5	12	18	41.5	
	8	2 (R1/4)	3 (3-Way Valve) (Black Lever)	(Thread Side → One-Touch Side) B	60.9	16.5	14	19	41.5	

Ordering Example: Part Number - 2-Way / 3-Way Valve Selection, R (RT) Selection - 2-Way / 3-Way Valve Selection - Flow Direction

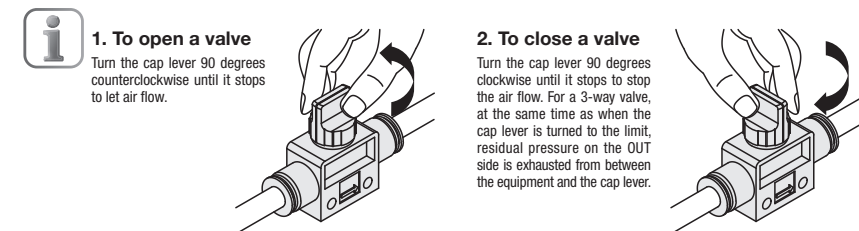
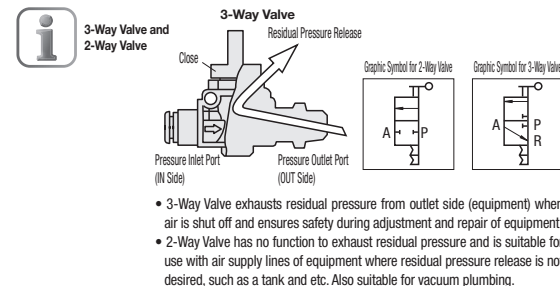
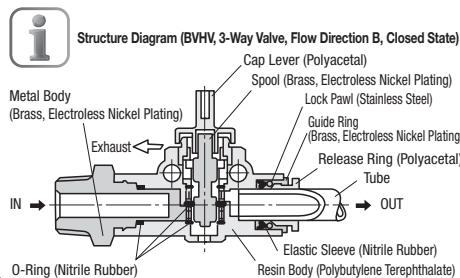
C-BVHVU8 - 3 - 3 - A

C-BVHV6 - 2 - 3 - B

Ordering Example: Part Number - 2-Way / 3-Way Valve Selection, R (RT) Selection - Handle Color Selection, 2-Way / 3-Way Valve Selection - Flow Direction

BVHVU6 - 2 - R - 3 - A

BVHV8 - 1 - - 3 - A



Specifications

Applicable Fluid	Air
Max. Operating Pressure	1.0MPa
Operating Vacuum Level	-100kPa
Operating Temperature Range*	0~60°C

* No Freezing