

Sanitary Pipe Fittings / Sanitary Tube Strainers


Cover Caps

Standard / L-Shaped

Sanitary Butterfly Valves / Ball Valves

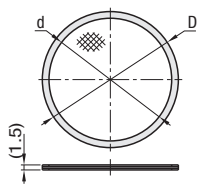
Standard / Small Diameter

Cover Caps



RoHS 10

Type	Material
SNGCN	SUS316L
SNGGS	Silicone
SNGGF	PTFE



1.5S, 2S

Part Number	Mesh Roughness	D	d	Unit Price	Volume Discount Rate
Type	No.			Qty. 1 ~ 5	6 ~ 10
SNGCN	1S	40-100-200	29	23	
	1.5S		40	35.7	
	2S		53	47.8	

As the mesh number is larger, mesh becomes finer. For orders larger than indicated quantity, please check with WOS.

Part Number	A	T	d	d1	Unit Price	Volume Discount Rate	Unit Price	Volume Discount Rate
Type	No.				Qty. 1 ~ 10	11 ~ 20	Qty. 1 ~ 10	11 ~ 20
SNGGS	1S	50.5	5.5 (5)	30 (29.5)	43.5			
	1.5S			41 (40.5)				
	2S	64		54 (53.5)	56.5			

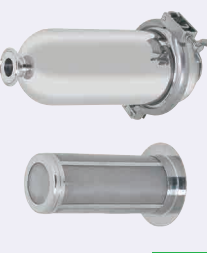
Dimensions in () are for SNGGF. For orders larger than indicated quantity, please check with WOS.

Ordering Example Part Number - Mesh Roughness
SNGCN1S - 40

Features
 • Plumbing without alteration to the ferrule is possible.
 • Attachable to existing piping system.

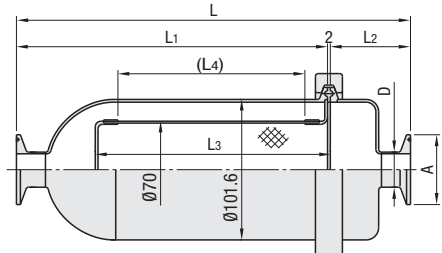
Caution
 Ferrule needs to be altered. No ferrule needs to be altered.
 Fluid may come as it is sealed with metal. Be sure not to use at large flow area as it may cause damage on gasket.

Tube Strainers - Standard

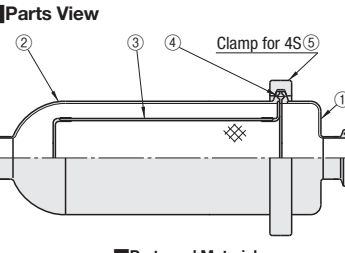


RoHS 10

SNTSK (Set)
SNTSN (Filter only)



Parts View



Clamp for 4S


Part No.	Part Name	Material
1	Upper Lid	SUS304
2	Body Case	SUS304
3	Filter	SUS304
4	Gaskets	EPDM
5	Clamp	SUS304

Features: Connects in-line with plumbing to filter foreign objects.

Part Number	Mesh Roughness	A	D	L	L1	L2	L3	(L4)	SNTSK Unit Price	SNTSN Unit Price
Type	No.								Qty. 1	Qty. 1
SNTSK	1S	40, 80	50.5	25.4	285	225	58	170	138.5	
	1.5S	100, 200	50.5	38.1	320	260	58	205	173.5	
	2S		64	50.8	350	290	58	235	203.5	

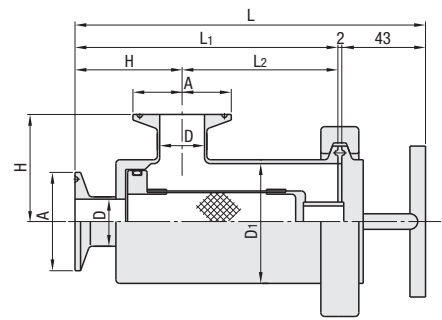
As the mesh number is larger, mesh becomes finer. For orders larger than indicated quantity, please check with WOS.

Tube Strainers - L-Shaped

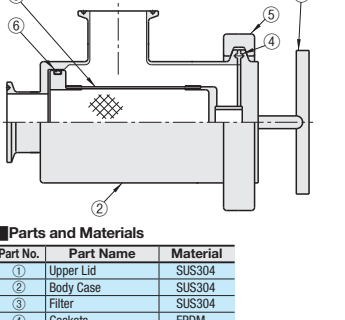


RoHS 10

SNTSL



Parts View



Part No.	Part Name	Material
1	Upper Lid	SUS304
2	Body Case	SUS304
3	Filter	SUS304
4	Gaskets	EPDM
5	Clamp	SUS304
6	O-Ring	EPDM

Features: Easy to swap into existing elbow plumbing as its connection diameter is same as that of double ferrules elbow (P1348 SNBE).

Part Number	Mesh Roughness	A	D	D1	L	L1	L2	H	Unit Price
Type	No.								Qty. 1
SNTSL	1S	40, 80	50.5	25.4	63.5	180	135	80	55
	1.5S	100, 200	50.5	38.1	76.3	190	145	75	70
	2S		64	50.8	101.6	205	160	78	82

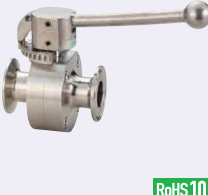
As the mesh number is larger, mesh becomes finer. For orders larger than indicated quantity, please check with WOS.

Ordering Example Part Number - Mesh Roughness
SNTSK1S - 40
SNTSL2S - 100

SNTSN, SNTSK, SNTSL Mesh Roughness

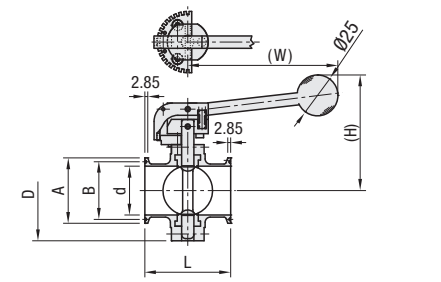
Roughness	Sieve Mesh Size	Weave	Filament Diameter
			Vertical Horizontal
40	0.415mm	Plain Weave	0.22 0.22
80	0.198mm	Plain Weave	0.14 0.14
100	0.154mm	Plain Weave	0.1 0.1
200	0.077mm	Plain Weave	0.05 0.05

Butterfly Valves

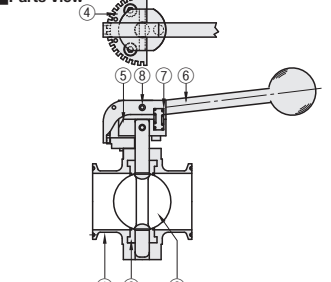


RoHS 10

BFBS



Parts View



Part Number	No.	d	A	B	D	L	(H)	(W)	Unit Price	Volume Discount Rate
Type									Qty. 1	2-5
BFBS	1S	23.0	50.5	43.5	74	84	92	142		
	1.5S	35.7	50.5	43.5	87	84	99	142		
	2S	47.8	64.0	56.5	98	84	105	142		
	2.5S	59.5	77.5	70.5	112	100	112	142		
3S	72.3	91.0	83.5	128	100	130	190			

Specifications
 Applicable Fluid: Water, Air, Oil, Gas
 Max. Operating Temp.: 120°C
 Max. Operating Pressure: 1S-2S: 0.98MPa, 2.5, 3S: 0.78MPa


Features
 • The full-port design minimizes liquid slug.
 • The degree of opening can be fixed at a desired position in 10° increment.
 • The surface pressure being constant maintains air tightness and enables small torque operation.

For orders larger than indicated quantity, please check with WOS.

Parts and Materials

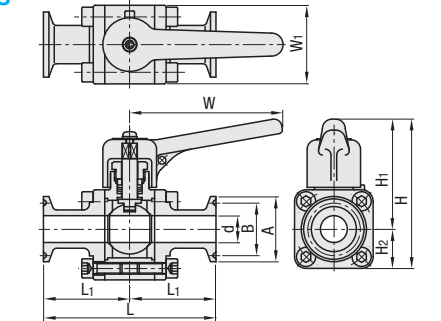
Part No.	Part Name	Material
1	Main Body	SUS316L
2	Valve Body	SUS316L
3	Seat Ring	Silicon Rubber
4	Notch Plate	SCS13
5	Handle Bracket	SCS13
6	Handle	SCS13
7	Spring	SUS304
8	Spring Pin	SUS304

Ball Valves - Small Diameter

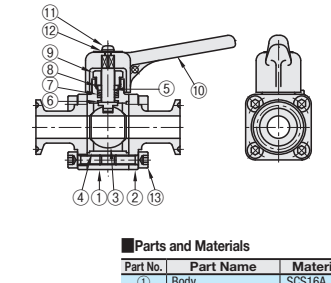


RoHS 10

SNBSS



Parts View



Part Number	No.	d	A	B	L	L1	H	H1	H2	W	W1	Unit Price	Volume Discount Rate
Type												Qty. 1	2-5
SNBSS	8A	10.5	34	27.5	90	45	81	60	21	80	41		
	10A	14	34	27.5	90	45	81	60	21	80	41		
	15A	17.5	34	27.5	90	45	86	63	23	80	46		


Specifications
 Applicable Fluid: Water, Air, Oil, Gas
 Max. Operating Temp.: 120°C
 Max. Operating Pressure: 0.98MPa

For orders larger than indicated quantity, please check with WOS.

Parts and Materials

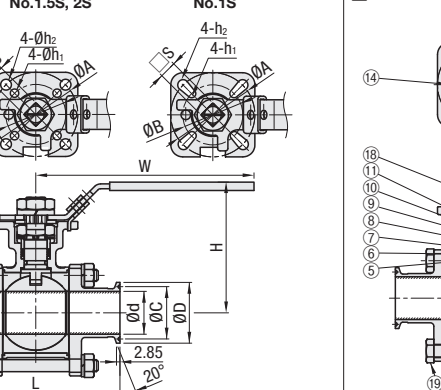
Part No.	Part Name	Material
1	Body	SCS16A
2	Cap	SCS16A
3	Ball	SCS16A or SUS316L
4	Ball Seat	Fluororesin
5	Stem	SUS316L
6	Thrust Washer	Fluororesin
7	Gland Gasket	Fluororesin
8	Gland Ring	SUS316L
9	Gland	SUS304
10	Handle	SCS13A
11	Phillips Machine Screw	SUS304
12	Spring Washer	SUS304
13	Hex Socket Head Cap Screw	SUS304

Ball Valves - Standard

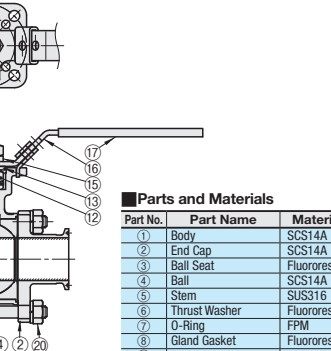


RoHS 10

SNBS No. 1.5S, 2S No. 1S



Parts View



Part Number	No.	d	D	C	L	H	W	S	A	B	h1	h2	Unit Price	Volume Discount Rate
Type													Qty. 1	2-5
SNBS	1S	23	50.5	43.5	114	90	150	11	50	42	R3	R4.5		
	1.5S	35.7	50.5	43.5	140	110	180	14	70	50	07	09		
	2S	47.8	64	56.5	156	115	180	14	70	50	07	09		

Specifications
 Applicable Fluid: Water, Air, Oil, Gas
 Max. Operating Temp.: 120°C
 Max. Operating Pressure: 0.98MPa

Ordering Example Part Number
BFBS1S
SNBSS10A

For orders larger than indicated quantity, please check with WOS.

Parts and Materials

Part No.	Part Name	Material
1	Body	SCS14A
2	End Cap	SCS14A
3	Ball Seat	Fluororesin
4	Ball	SCS14A
5	Stem	SUS316
6	Thrust Washer	Fluororesin
7	O-Ring	FPM
8	Gland Gasket	Fluororesin
9	Gland	SUS304
10	Conical Spring Washer	SUS301
11	Stem Nut	SUS304
12	Lock Washer	SUS304
13	Handle Washer	SUS304
14	Stop Pin	SUS304
15	Spring Washer	SUS304
16	Handle	SUS304
17	Handle Cover	PVC
18	Handle Nut	SUS304
19	Screw	SUS304
20	Nut	SUS304