
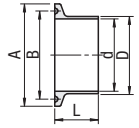

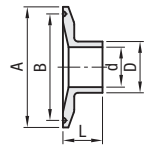

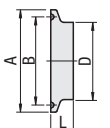

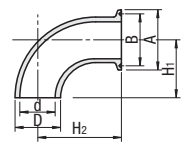

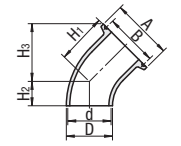
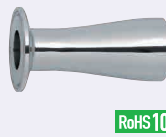
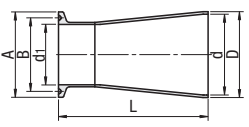
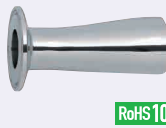
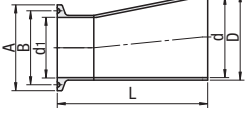


Sanitary Pipe Fittings

Ferrule x Weld-On

Sanitary Pipe Fittings

Double Ferrules

 Ferrule	<table border="1"> <tr><th>Type</th><th>Material</th></tr> <tr><td>SNFR</td><td>SUS304</td></tr> <tr><td>SNFRS</td><td>SUS316L</td></tr> </table>	Type	Material	SNFR	SUS304	SNFRS	SUS316L	
	Type	Material						
SNFR	SUS304							
SNFRS	SUS316L							
RoHS 10								
 Reducing Ferrule	<table border="1"> <tr><th>Type</th><th>Material</th></tr> <tr><td>SNFRE</td><td>SUS304</td></tr> </table>	Type	Material	SNFRE	SUS304			
	Type	Material						
SNFRE	SUS304							
RoHS 10								
 Ferrule Cap	<table border="1"> <tr><th>Type</th><th>Material</th></tr> <tr><td>SNFK</td><td>SUS304</td></tr> </table>	Type	Material	SNFK	SUS304			
	Type	Material						
SNFK	SUS304							
RoHS 10								
 Ferrule x Weld-On Elbow	<table border="1"> <tr><th>Type</th><th>Material</th></tr> <tr><td>SNFE</td><td>SUS304</td></tr> <tr><td>SNFES</td><td>SUS316L</td></tr> </table>	Type	Material	SNFE	SUS304	SNFES	SUS316L	
	Type	Material						
SNFE	SUS304							
SNFES	SUS316L							
RoHS 10								
 Ferrule x Weld-On 45° Elbow	<table border="1"> <tr><th>Type</th><th>Material</th></tr> <tr><td>SNFHE</td><td>SUS304</td></tr> <tr><td>SNFHES</td><td>SUS316L</td></tr> </table>	Type	Material	SNFHE	SUS304	SNFHES	SUS316L	
	Type	Material						
SNFHE	SUS304							
SNFHES	SUS316L							
RoHS 10								
 Ferrule x Weld-On Reducer	<table border="1"> <tr><th>Type</th><th>Material</th></tr> <tr><td>SNFRD</td><td>SUS304</td></tr> <tr><td>SNFRDS</td><td>SUS316L</td></tr> </table>	Type	Material	SNFRD	SUS304	SNFRDS	SUS316L	
	Type	Material						
SNFRD	SUS304							
SNFRDS	SUS316L							
RoHS 10								
 Ferrule x Weld-On Offset Reducer	<table border="1"> <tr><th>Type</th><th>Material</th></tr> <tr><td>SNFRYS</td><td>SUS304</td></tr> <tr><td>SNFRYS</td><td>SUS316L</td></tr> </table>	Type	Material	SNFRYS	SUS304	SNFRYS	SUS316L	
	Type	Material						
SNFRYS	SUS304							
SNFRYS	SUS316L							
RoHS 10								

Part Number	Type	No.	D	d	A	B	L	SNFR		SNFRS	
								Unit Price	Volume Discount Rate	Unit Price	Volume Discount Rate
SNFRS		8A	13.8	10.5	34.0	27.5	17.0	-	-	-	-
		10A	17.3	14.0				-	-	-	-
		15A	21.7	17.5				-	-	-	-
SNFR SNFRS		1S	25.4	23.0	50.5	43.5	21.0	-	-	-	-
		1.5S	38.1	35.7	50.5	43.5		-	-	-	-
		2S	50.8	47.8	64.0	56.5		-	-	-	-
		2.5S	63.5	59.5	77.5	70.5		-	-	-	-
		3S	76.3	72.3	91.0	83.5		-	-	-	-

For orders larger than indicated quantity, please check with WOS.

Part Number	Type	No.	Nominal	D	d	A	B	L	Unit Price		Volume Discount Rate	
									Qty. 1 - 9	10 - 20	Qty. 1 - 9	10 - 20
SNFRE	1S	8A	13.8	10.5	50.5	43.5	21.0					
		10A	17.3	11.3								
		15A	21.7	15.7								
	1.5S	10A	17.3	11.3								
		15A	21.7	15.7								
		20A	27.2	21.2								
	2S	15A	21.7	15.7								
		20A	27.2	21.2								
		25A	34.0	28.4								
	2.5S	20A	27.2	21.2								
		25A	34.0	28.4								
		32A	42.7	37.1								
	3S	25A	34.0	28.4								
		32A	42.7	37.1								
		40A	48.6	43.0								

For orders larger than indicated quantity, please check with WOS.

Part Number	Type	No.	D	A	B	L	Unit Price		Volume Discount Rate	
							Qty. 1 - 9	10 - 14	Qty. 1 - 9	10 - 14
SNFK		1S	38.1	50.5	43.5	11.0	-	-	-	-
		1.5S	50.8	64.0	56.5		-	-	-	-
		2S	63.5	77.5	70.5		-	-	-	-
		2.5S	76.3	91.0	83.5		-	-	-	-
		3S	76.3	91.0	83.5		-	-	-	-

SNFK1S and 1.5S are the same shape. For orders larger than indicated quantity, please check with WOS.

Part Number	Type	No.	D	d	A	B	H ₁	H ₂	SNFE		SNFES	
									Unit Price	Volume Discount Rate	Unit Price	Volume Discount Rate
SNFE SNFES		1S	25.4	23	50.5	43.5	34	55	-	-	-	-
		1.5S	38.1	35.7	50.5	43.5	49	70	-	-	-	-
		2S	50.8	47.8	64.0	56.5	61	82	-	-	-	-
		2.5S	63.5	59.5	77.5	70.5	84	105	-	-	-	-
		3S	76.3	72.3	91.0	83.5	89	110	-	-	-	-

For orders larger than indicated quantity, please check with WOS.

Part Number	Type	No.	D	d	A	B	H ₁	H ₂	H ₃	SNFHE		SNFHES	
										Unit Price	Volume Discount Rate	Unit Price	Volume Discount Rate
SNFHE SNFHES		1S	25.4	23	50.5	43.5	36.8	15.8	43.9	-	-	-	-
		1.5S	38.1	35.7	50.5	43.5	44.7	23.7	49.5	-	-	-	-
		2S	50.8	47.8	64.0	56.5	52.6	31.6	59.8	-	-	-	-
		2.5S	63.5	59.5	77.5	70.5	63.0	42.0	71.9	-	-	-	-
		3S	76.3	72.3	91.0	83.5	73.6	52.6	84.2	-	-	-	-

For orders larger than indicated quantity, please check with WOS.

Part Number	Type	No.	D	d	d ₁	A	B	L	SNFRD		SNFRDS	
									Unit Price	Volume Discount Rate	Unit Price	Volume Discount Rate
SNFRD SNFRDS		1.5S	38.1	35.7	23	50.5	43.5	88	-	-	-	-
		2S	50.8	47.8	35.7	50.5	43.5		-	-	-	-
		2.5S	63.5	59.5	47.8	64.0	56.5		-	-	-	-
		3S	76.3	72.3	59.5	77.5	70.5		-	-	-	-

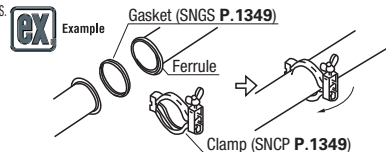
The ferrule is one size smaller. Ex.) For No.2S, 2S (pipe) x1.5S (ferrule part)


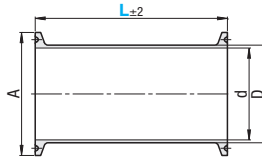
For orders larger than indicated quantity, please check with WOS.


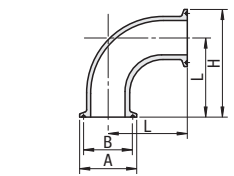
Part Number	Type	No.	D	d	d ₁	A	B	L	SNFRY		SNFRYS	
									Unit Price	Volume Discount Rate	Unit Price	Volume Discount Rate
SNFRY SNFRYS		1.5S	38.1	35.7	23	50.5	43.5	88	-	-	-	-
		2S	50.8	47.8	35.7	50.5	43.5		-	-	-	-
		2.5S	63.5	59.5	47.8	64.0	56.5		-	-	-	-
		3S	76.3	72.3	59.5	77.5	70.5		-	-	-	-


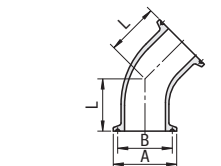
The ferrule is one size smaller. Ex.) For No.2S, 2S (pipe) x1.5S (ferrule part)


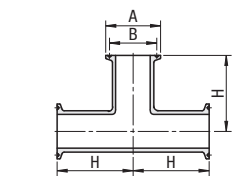
For orders larger than indicated quantity, please check with WOS.


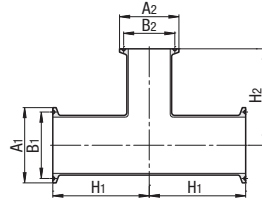


 Double Ferrules Straight	<table border="1"> <tr><th>Type</th><th>Material</th></tr> <tr><td>SNPAA</td><td>SUS304</td></tr> </table>	Type	Material	SNPAA	SUS304	
	Type	Material				
SNPAA	SUS304					
RoHS 10						

 Double Ferrules Elbow	<table border="1"> <tr><th>Type</th><th>Material</th></tr> <tr><td>SNBE</td><td>SUS304</td></tr> <tr><td>SNBES</td><td>SUS316L</td></tr> </table>	Type	Material	SNBE	SUS304	SNBES	SUS316L	
	Type	Material						
SNBE	SUS304							
SNBES	SUS316L							
RoHS 10								

 Double Ferrules 45° Elbow	<table border="1"> <tr><th>Type</th><th>Material</th></tr> <tr><td>SNBHE</td><td>SUS304</td></tr> <tr><td>SNBHES</td><td>SUS316L</td></tr> </table>	Type	Material	SNBHE	SUS304	SNBHES	SUS316L	
	Type	Material						
SNBHE	SUS304							
SNBHES	SUS316L							
RoHS 10								

 Double Ferrules Tees	<table border="1"> <tr><th>Type</th><th>Material</th></tr> <tr><td>SNBT</td><td>SUS304</td></tr> <tr><td>SNBTS</td><td>SUS316L</td></tr> </table>	Type	Material	SNBT	SUS304	SNBTS	SUS316L	
	Type	Material						
SNBT	SUS304							
SNBTS	SUS316L							
RoHS 10								

 Double Ferrules Reducing Tees	<table border="1"> <tr><th>Type</th><th>Material</th></tr> <tr><td>SNBTD</td><td>SUS304</td></tr> </table>	Type	Material	SNBTD	SUS304	
	Type	Material				
SNBTD	SUS304					
RoHS 10						

Ordering Example
Part Number - L
SNPAA1S - 150
SNBES8A
SNBTD2S-1S

Part Number	Type	No.	L Selection	D	d	A	Unit Price 1 - 4 pc(s)			Volume Discount Rate 5 - 10 pcs				
							L100	L150	L200	L250	L300	L100	L150	L200
SNPAA		1S	100	25.4	23	50.5								
		1.5S	150	38.1	35.7	50.5								
		2S	200	50.8	47.8	64								

For orders larger than indicated quantity, please check with WOS.

Part Number	Type	No.	A	B	L	H	SNBE		SNBES	
							Unit Price	Volume Discount Rate	Unit Price	Volume Discount Rate
SNBES		8A	34.0	27.5	55	72	-	-	-	-
		10A					-	-	-	-
		15A					-	-	-	-
SNBE SNBES		1S	50.5	43.5	55	80.3	-	-	-	-
		1.5S	50.5	43.5	70	95.3	-	-	-	-
		2S	64.0	56.5	82	114	-	-	-	-
		2.5S	77.5	70.5	105	143.8	-	-	-	-
		3S	91.0	83.5	110	155.5	-	-	-	-

For orders larger than indicated quantity, please check with WOS.

Part Number	Type	No.	A	B	L	SNBHE		SNBHES	
						Unit Price	Volume Discount Rate	Unit Price	Volume Discount Rate
SNBHE SNBHES		1S	50.5	43.5	36.8	-	-	-	-
		1.5S	50.5	43.5	44.7	-	-	-	-
		2S	64.0	56.5	52.6	-	-	-	-
		2.5S	77.5	70.5	63.0	-	-	-	-
		3S	91.0	83.5	73.6	-	-	-	-

For orders larger than indicated quantity, please check with WOS.

Part Number	Type	No.	A	B	H	SNBT		SNBTS	
						Unit Price	Volume Discount Rate	Unit Price	Volume Discount Rate
SNBTS		8A	34.0	27.5	55	-	-	-	-
		10A				-	-	-	-
		15A				-	-	-	-
SNBT SNBTS		1S	50.5	43.5	55	-	-	-	-
		1.5S	50.5	43.5	70	-	-	-	-
		2S	64.0	56.5	82	-	-	-	-
		2.5S	77.5	70.5	105	-	-	-	-
3S	91.0	83.5	110	-	-	-	-		

For orders larger than indicated quantity, please check with WOS.

Part Number	Type	No.	A ₁	B ₁	H ₁	A ₂	B ₂	H ₂	Unit Price	
									Qty. 1 - 5	Qty. 1 - 5
SNBTD		1.5S-1S	50.5	43.5	70.0	50.5	43.5	66.0	-	-
		2S-1S	64.0	56.5	82.0	50.5	43.5	72.0	-	-
		2S-1.5S	64.0	56.5	82.0	50.5	43.5	85.0	-	-
		2.5S-1.5S	77.5	70.5	105.0	50.5	43.5	91.0	-	-
2.5S-2S	77.5	70.5	105.0	64.0	56.5	103.0	-	-	-	

For orders larger than indicated quantity, please check with WOS.

