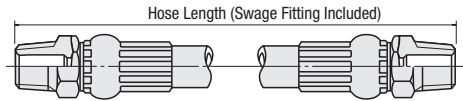


Flexible Fluoro-resin Hoses

Flexible Fluoro-resin Hoses



Type	Material		Surface Treatment	Max. Operating Pressure
	Hose	Swage Fittings		
HOSFR	Fluoro-resin	SUS304	SS400	See Hose Specifications Table
HOSFRS	Fluoro-resin	SUS304	Trivalent Chromate	



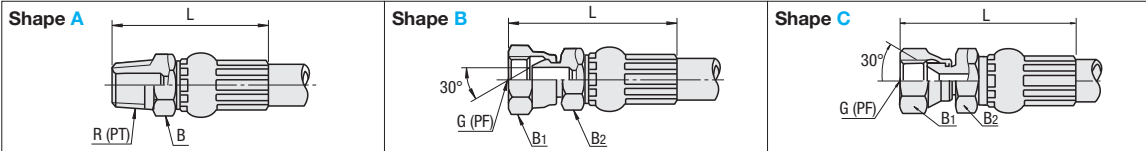
Features

- Excellent in heat resistance and chemical resistance.
- Suitable for use with viscous materials, such as adhesives and paints.

CAUTION

- Avoid using the same hose for steam and water or for steam and nitrogen.

Swage Fitting Shapes



Hose Specifications

Hose Nominal I.D.	Max. Operating Pressure (MPa)	Min. Destructive Pressure (MPa)	Min. Bending Radius (mm)	Approx. Mass (g/m)
4	20.5	82.0	51	105
6	20.5	82.0	76	120
8	17.0	68.0	102	145

Swage Fittings Size List

Hose Nominal I.D.	R (PT)	Shape A		Shape B		Shape C			
		B (Wrench Flats)	L	B ₁ (Wrench Flats)	B ₂ (Wrench Flats)	L	B ₁ (Wrench Flats)	B ₂ (Wrench Flats)	
4	1/4	17	43	19	17	48	19	17	48
6	1/4	17	43	19	17	48	19	17	48
8	3/8	19	48	22	19	53	22	19	53

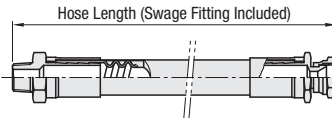
Part Number	Type	Hose Nominal I.D.	Hose Length 0.1m Increment	L End Swaged Shape	R End Swaged Shape	Hose I.D. (mm)	Hose O.D. (mm)	Unit Price	
								Hose Unit Price/m	Additional Charge for Both Ends Swaged Fittings
HOSFR HOSFRS		4	0.3-20.0	LA LB LC	RA RB RC	4.8	7.7		
		6				6.4	9.5		
		8				7.9	10.9		

Ordering Example: Part Number - Hose Length - Shape L - Shape R
HOSFR6 - 1.0 - LA - RB

Flexible Fluoro-resin Hoses High-Flex



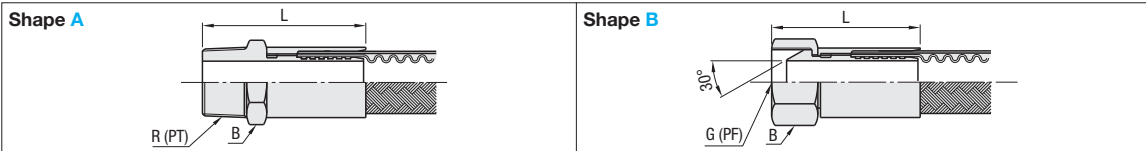
Type	Material		Applicable Fluids	Operating Temperature Range	Max. Operating Pressure
	Hose	Wire Braided			
HOSJRS	Fluoro-resin	SUS304	Air, Water, Solvent	-100~120°C	See Hose Specifications Table



Features

- Spiral corrugated hose provides superior flexibility.
- Suitable for high vibration environment and applications where damages from deformation are expected.

Swage Fitting Shapes



Hose Specifications

Hose Nominal I.D.	I.D. (mm)	O.D. (mm)	Min. Bending Radius (mm)	Max. Operating Pressure (MPa)
6A	4.0	7.0	20	3.0
8A	5.0	8.5	20	2.5
10A	9.0	13.0	25	2.0
15A	11.0	16.5	30	2.0

Swage Fittings Size List

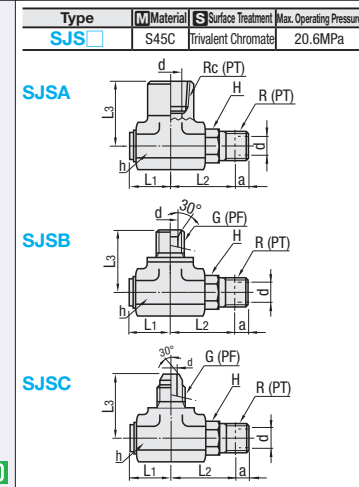
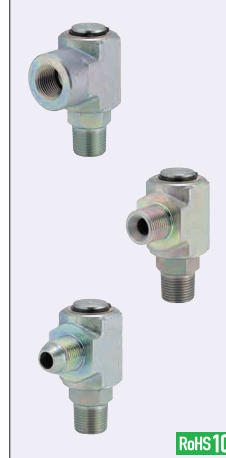
Hose Nominal I.D.	R (PT)	Shape A		Shape B	
		B (Wrench Flats)	L	B (Wrench Flats)	L
6A	1/8	12	39	14	37
8A	1/4	14	47	17	43
10A	3/8	19	53	21	49
15A	1/2	24	60	26	57

Part Number	Type	Hose Nominal I.D.	Hose Length 0.1m Increment	L End Swaged Shape	R End Swaged Shape	Unit Price	
						Hose Unit Price/0.1m	Unit Price of One End Swaged Fitting
HOSJRS		6A	0.3-2.0	LA LB	RA RB		
		8A					
		10A					
		15A					

Ordering Example: Part Number - Hose Length - Shape L - Shape R
HOSJRS6A - 1.5 - LB - RA

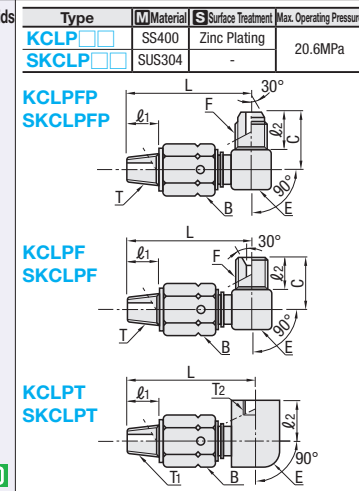
Swivel Joints / Swivel Fittings for Hydraulic Fluids

Swivel Joints

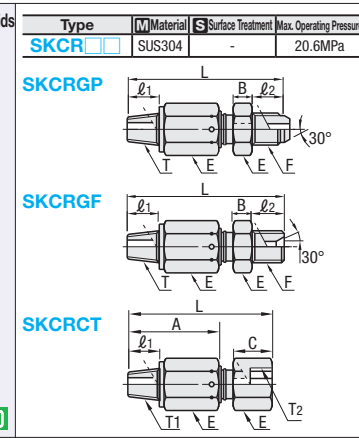


Ordering Example: Part Number SJSB3

Swivel Fittings for Hydraulic Fluids Elbow



Swivel Fittings for Hydraulic Fluids Straight



Part Number	Type	R/Rc (PT)	d	L ₁	L ₂	L ₃	a	h	h	Unit Price	Volume Discount Rate	
												Reference Dia. G
SJSJA		2	1/4	5	19.5	31.5	30	6.01	22	14		
		3	3/8	8	22	35.7	30	6.35	27	19		
		4	1/2	11.5	24	40.3	35	8.16	32	22		
6	3/4	16	30	48.5	42	9.53	41	30				

Part Number	Type	G (PT)	R (PT)	d	L ₁	L ₂	L ₃	a	h	h	Unit Price	Volume Discount Rate
SJSJB		2	1/4	5	19.5	31.5	29	6.01	22	14		
		3	3/8	8	22	35.7	30	6.35	27	19		
		4	1/2	11.5	24	40.3	35	8.16	32	22		
6	3/4	16	30	48	41	9.53	41	30				

Part Number	Type	G (PT)	R (PT)	d	L ₁	L ₂	L ₃	a	h	h	Unit Price	Volume Discount Rate
SJSJC		2	1/4	5	19.5	31.5	30	6.01	22	14		
		3	3/8	8	22	35.7	33	6.35	27	19		
		4	1/2	11.5	24	40.3	38	8.16	32	22		
6	3/4	16	30	48.5	42.0	9.53	41	30				

- For orders larger than indicated quantity, please check with WOS.
- Features**
Joints capable of slow or reciprocating rotary motion.
They can be used for joining fixed plumbing hoses and hydraulic hoses.
- Specifications**
• Applicable Fluid : Oil (-20°C ~ 95°C)
• Oscillating Angle : 360°
• Oscillating Speed : 25 cycles/min. (when Vibrating Angle is 110°)

Part Number	Type	T (PT)	R (PT)	F (PT)	L	ℓ ₁	ℓ ₂	C	E (Wrench Flats)	B (Wrench Flats)	KCLPFP		SKCLPFP	
											Unit Price	Volume Discount Rate	Unit Price	Volume Discount Rate
KCLPFP SKCLPFP		2	1/4	1/4	52	13	16	24	14	19	1-4 pc(s)	5-20 pcs.	1-4 pc(s)	5-20 pcs.
		3	3/8	3/8	57	15	18	28	20	22				
		4	1/2	1/2	66	18	20	32	24	27				

Part Number	Type	T (PT)	R (PT)	F (PT)	L	ℓ ₁	ℓ ₂	C	E (Wrench Flats)	B (Wrench Flats)	KCLPFF		SKCLPFF	
											Unit Price	Volume Discount Rate	Unit Price	Volume Discount Rate
KCLPFF SKCLPFF		2	1/4	1/4	52	13	13	21	14	19	1-4 pc(s)	5-20 pcs.	1-4 pc(s)	5-20 pcs.
		3	3/8	3/8	57	15	14	24	20	22				
		4	1/2	1/2	66	18	17	29	24	27				

Part Number	Type	T (PT)	R (PT)	F ₂ (PT)	L	ℓ ₁	ℓ ₂	E (Wrench Flats)	B (Wrench Flats)	KCLPT		SKCLPT	
										Unit Price	Volume Discount Rate	Unit Price	Volume Discount Rate
KCLPT SKCLPT		2	1/4	1/4	53	13	18	19	19	1-4 pc(s)	5-20 pcs.	1-4 pc(s)	5-20 pcs.
		3	3/8	3/8	59	15	18	23	22				
		4	1/2	1/2	69	18	26	30	27				

Part Number	Type	T (PT)	R (PT)	F (PT)	L	ℓ ₁	B	ℓ ₂	E (Wrench Flats)	Unit Price	Volume Discount Rate
SKCRGP		2	1/4	1/4	68	13	8	16	19		
		3	3/8	3/8	72	15	8	18	22		
		4	1/2	1/2	84	18	10	20	27		

Part Number	Type	T (PT)	R (PT)	F (PT)	L	ℓ ₁	B	ℓ ₂	E (Wrench Flats)	Unit Price	Volume Discount Rate
SKCRGF		2	1/4	1/4	68	13	8	13	19		
		3	3/8	3/8	72	15	8	15	22		
		4	1/2	1/2	82	18	10	18	27		

Part Number	Type	T ₁ (PT)	R (PT)	T ₂ (PT)	L	A	ℓ ₁	ℓ ₂	E (Wrench Flats)	Unit Price	Volume Discount Rate
SKCRCT		2	1/4	1/4	61	39	13	17	19		
		3	3/8	3/8	66	41	15	19	22		
		4	1/2	1/2	76	48	18	22	27		

For orders larger than indicated quantity, please check with WOS.

