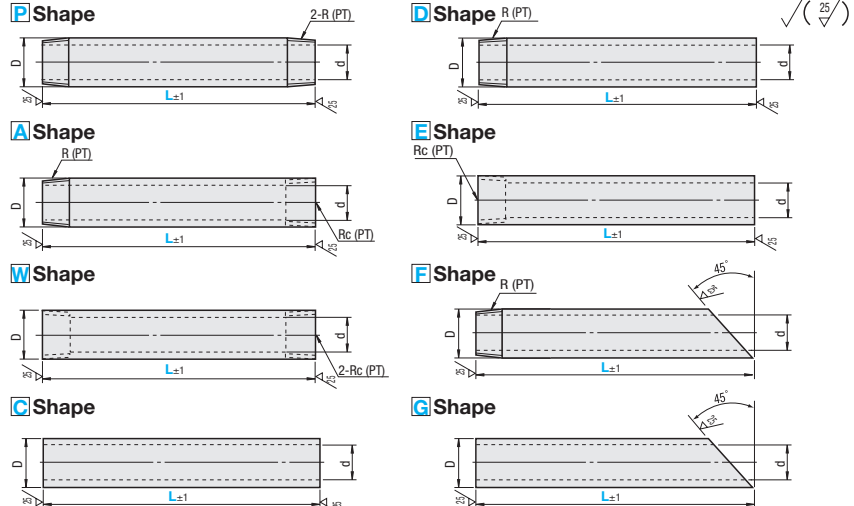


Steel Pipe



Part Number	Material	Standards	Application	Surface Treatment
SGG□	SGP	JIS G3452	Pneumatic Pipes for Low Operating Pressure Steam/Water/Gas	-
SGP□	SGPW	JIS G3442	Pipes for draining water, air conditioning, etc.	Zinc Plating
SUT□	SUS304TP	JIS G3459	Corrosion / Low Temperature / High Temperature Resistant Pipes	-
SUTS□	SUS316TP	JIS G3459	Corrosion / Low Temperature / High Temperature Resistant Pipes	-
STPG□	STPG370(Sch40)	JIS G3454	Pressure pipes to be used under 350C	-
SGHP□	STPG370(Sch80)	JIS G3454	Pressure pipes to be used under 350C	-

* No surface treatment on male thread portion of SGP□.
 * Male threads are covered with sealing tape before shipping.
 * Excessive tightening may deform the female thread portion. Wrap with sealing tape for air tightness, hand tighten first, and then final tighten by giving approx. one more rotation.
 * Marks may be left on the surface when tightening screws.



L Fixed (Shape C, Unpainted only)

Part Number	Type	No.	L	SGPPK		SUTPK		SGPPK		SUTPK	
				D	d	D	d	Unit Price	Volume Discount Rate	Unit Price	Volume Discount Rate
SGPPK (SGPW)	SUTPK (SUS304TP)	6A	500	-	-	10.5	5.7	-	-	-	-
		8A		13.8	9.2	13.8	7.8	-	-		
		10A		17.3	12.7	17.3	10.9	-	-		
		15A		21.7	16.1	21.7	16.1	-	-		
		20A		27.2	21.6	27.2	21.4	-	-		
25A	34.0	27.6	34.0	27.2	-	-					

Ordering Example: Part Number SUTPK10A

L Configurable

Part Number	Type	Shape	No.	Paint Color Selection	L 1mm Increment	R (PT) RC (PT)	SGG□		SGP□		SUT□/SUTS□		STPG□		SGHP□	
							D	d	D	d	D	d	D	d	D	d
SGG SGP SUT SUTS STPG SGHP	P A W C D E F G	Not specified (Unpainted)	6A	Not specified (Unpainted)	30-2000	1/8	10.5	6.5	-	-	10.5	5.7	10.5	7.1	10.5	5.7
			8A		40-2000	1/4	13.8	9.2	13.8	7.8	13.8	9.4	13.8	7.8		
			10A		40 (43)-2000	3/8	17.3	12.7	17.3	12.7	17.3	12.7	17.3	12.7		
			15A		50 (55)-2000	1/2	21.7	16.1	21.7	16.1	21.7	16.1	21.7	16.1		
			20A		50 (65)-2000	3/4	27.2	21.6	27.2	21.6	27.2	21.4	27.2	21.4		
			25A		60 (75)-2000	1	34.0	27.6	34.0	27.6	34.0	27.2	34.0	27.2		
			32A		60 (80)-2000	1 1/4	42.7	35.7	42.7	35.7	42.7	35.5	42.7	35.5		
			40A		60 (90)-2000	1 1/2	48.6	41.6	48.6	41.6	48.6	41.2	48.6	41.2		
			40A		60 (150)-1500	2	60.5	52.9	60.5	52.9	60.5	52.7	-	-		
			50A		-	-	-	-	-	-	-	-	-	-		

L Dimensions in () are for Shape F and G. L Dimensions 1501 ~ 2000 are available for SGG□, SGP□ and SUT□ only (Except No.50A). Painted pipes are available for No.6A ~ 25A (L dimension 1500 or less) of SGG□, SUT□, STPG□ and SGHP□. Shape A, W and E are not available for No. 50A.

Ordering Example: Part Number - Paint Color - L - (NS)
 SGGP8A - BR - 200
 SUTD15A - BR - 500 - NS

Alterations	Code	Spec.
No Sealing Tape	NS	Shipped without regular sealing tape on male threads.

Applicable to Shape P, A, D and F only.

Types of Paint Colors (Japan Paint Manufacturers' Association 1997 U No.): For Internal Fluid Identification

White	Brown	Blue
UN-95 Approx. Munsell No. N9.5	U17-50L Approx. Munsell No. 7.5YR5/6	U72-50P Approx. Munsell No. 2.5PB5/8
Light Yellow	Dark Red	Black
U22-80L Approx. Munsell No. 2.5Y8/6	U07-30L Approx. Munsell No. 7.5R3/6	UN-10 Approx. Munsell No. N1

[Reference] Pipe Identification (JIS Z9102)

Material Types	Identification Color	Munsell Value (Reference)
Air	White	N9.5
Oil	Brown	7.5YR5/6
Water	Blue	2.5PB5/8
Gas	Light Yellow	2.5Y8/6
Steam	Dark Red	7.5R3/6

(* Since the color swatches are in print, they may show some shade variations.)

Unit Price (without Painting)

Part Number	Unit Price	P-A-W-F Shape					Unit Price	C Shape					Unit Price	D-E-G Shape				
		Min. L ~ 250	L251-500	L501-750	L751-1000	L1001-1500		Min. L ~ 250	L251-500	L501-750	L751-1000	L1001-1500		Min. L ~ 250	L251-500	L501-750	L751-1000	L1001-1500
SGG□	6A																	
	8A																	
	10A																	
	15A																	
	20A																	
	25A																	
SGP□	6A																	
	8A																	
	10A																	
	15A																	
	20A																	
	25A																	
SUT□	6A																	
	8A																	
	10A																	
	15A																	
	20A																	
	25A																	
SUTS□	6A																	
	8A																	
	10A																	
	15A																	
	20A																	
	25A																	
STPG□	6A																	
	8A																	
	10A																	
	15A																	
	20A																	
	25A																	
SGHP□	6A																	
	8A																	
	10A																	
	15A																	
	20A																	
	25A																	

Painting Charge

•SGG□, STPG□, SGHP□						•SUT□ (SUS304)					
No.	Unit Price					No.	Unit Price				
	Min. L ~ 250	L251-500	L501-750	L751-1000	L1001-1500		Min. L ~ 250	L251-500	L501-750	L751-1000	L1001-1500
6A						6A					
8A						8A					
10A						10A					
15A						15A					
20A						20A					
25A						25A					

For price of the painted pipes, painting charge will be added to the unit price of unpainted pipe. Painted Pipes are not available for L dimension 1501 ~ 2000. Volume discount rate is applicable to painting charge.

(Ex.) Part Number - Paint Color - L >> (Unit Price without Painting) + (Painting Charge) = (Unit Price with Painting)
 SUTP6A - R - 200