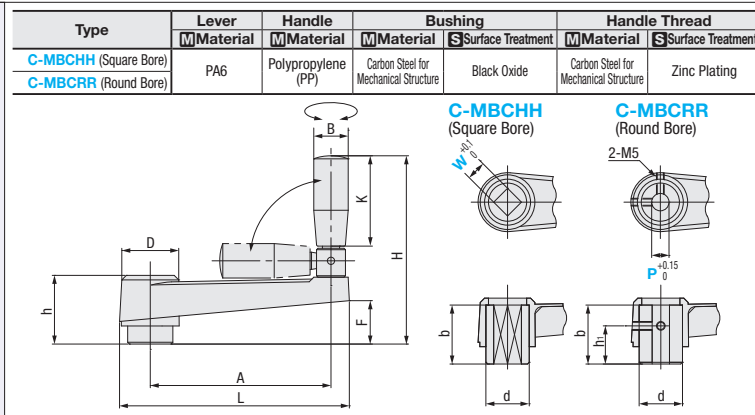


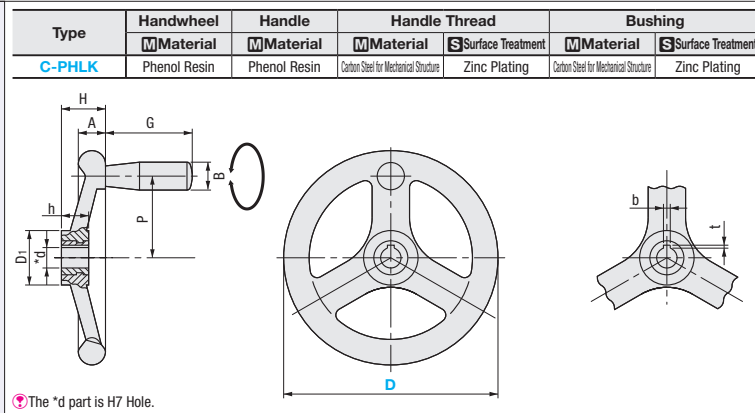
Revolving Crank Handles with Square / Round Bore



Part Number		L	A	H	h	D	K	F	B	b	d	h <sub>1</sub>	Reference Mass (g)	Unit Price
Type	W (Square Bore) / P (Round Bore)													
C-MBCHH (Square Bore)	12	127	100	104	38	34	50	24	19	34	25	-	200	
	14	156	125	131	46	40	63	30	23	42	30	-	320	
	17	195	160	157	55	44	80	36	26	50	34	-	530	
C-MBCRR (Round Bore)	12	127	100	104	38	34	50	24	19	34	25	6	200	
	14	156	125	131	46	40	63	30	23	42	30	6	320	
	16	195	160	157	55	44	80	36	26	50	34	8	530	

Ordering Example Part Number C-MBCHH12

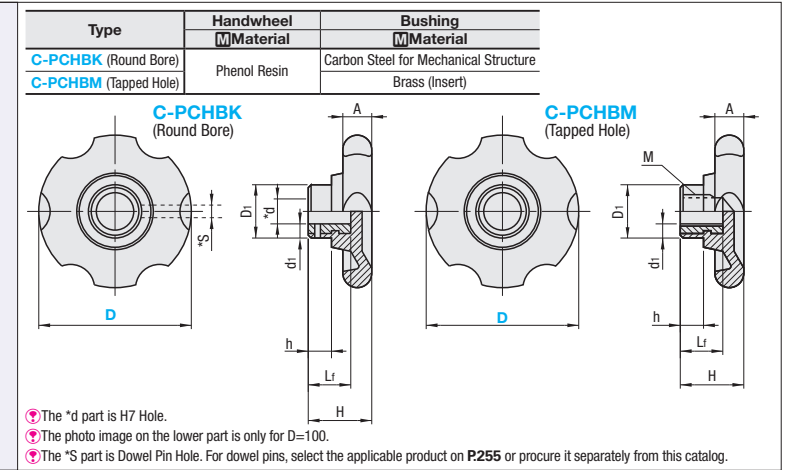
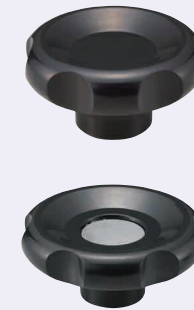
Spoked Handwheel



Part Number		H	A	h	D <sub>1</sub>	d	P	B	G	b	t	Reference Mass (g)	Unit Price
Type	D												
C-PHLK	100	29	17	18	34	12	40	19	50	4	1.8	200	
	125	29	20	18	34	12	48	21	63	4	1.8	330	
	160	36.5	22.5	20	40	16	64	26	80	5	2.3	485	
	200	44	25	25	51	18	83	26	80	6	2.8	780	
	250	48.5	28	28	56.5	25	98	26	100	8	3.3	980	

Ordering Example Part Number C-PHLK100

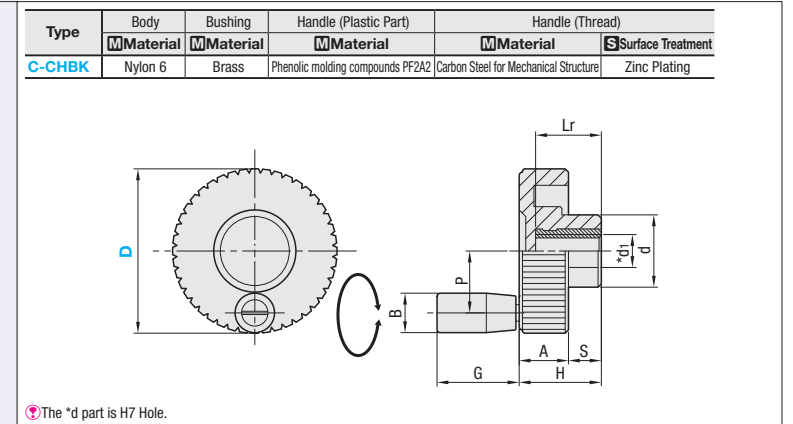
Wave Form Handwheel



Part Number		A	H	L <sub>r</sub>	h	D <sub>1</sub>	d	M	S	d <sub>1</sub>	Reference Mass (g)	Unit Price
Type	D											
C-PCHBK (Round Bore)	50	12	32	16	12	23	8	-	3	7.5	43	
	63	15	32	20	9.7	26	10	-	3	8	60	
	80	18	38	25	13	34	12	-	4	11	119	
	100	20	47	28	16	36	16	-	4	10	193	
C-PCHBM (Tapped Hole)	50	12	31	20	12	22	-	8	-	7	34	
	63	15	32	20	9.7	26	-	10	-	8	61	
	80	18	38	25	13	34	-	12	-	11	130	
	100	20	46	28	16	36	-	16	-	10	196	

Ordering Example Part Number C-PCHBK50

Knurled Plastic Handwheel



Part Number		H	A	S	d	d <sub>1</sub>	L <sub>r</sub>	P	B	G	Mass (g)	Unit Price
Type	D											
C-CHBK	50	25	17	8	20.5	6	18	18	15	25	35	
	60	29.5	19.5	10	23.2	8	20	22	15	25	55	

Ordering Example Part Number C-CHBK50