


Leveling Mounts / Economy Leveling Mounts

Leveling Mounts

Heavy Load / Handwheel

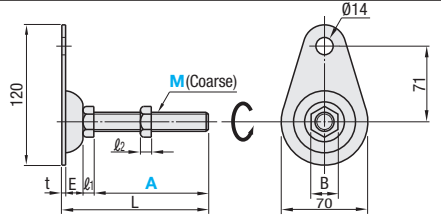
Fixed



**FJKN
FJKNS**
(Stainless Steel)

RoHS 10


Screw shaft turns independently of the base and tilts slightly.



M	ℓ ₁	ℓ ₂	E	B	t
10	7	8	18	17	2
12	8	10		19	
16	10	13		24	
20	13	16		30	

Type	Material	Surface Treatment
FJKN	SS400 Equivalent	Trivalent Chromate
FJKNS	SUS304	Electrolytic Polishing

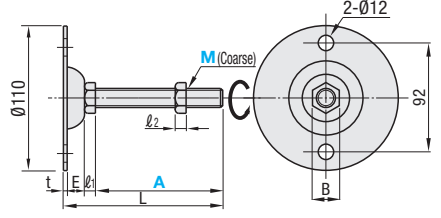
2-Screw Holes



**FJWN
FJWNS**
(Stainless Steel)

RoHS 10

Screw shaft turns independently of the base and tilts slightly.



M	ℓ ₁	ℓ ₂	E	B	t
10	7	8	23	17	2
12	8	10	22.5	19	
16	10	13		24	
20	13	16	21.5	30	


Type	Material	Surface Treatment
FJWN	SS400 Equivalent	Trivalent Chromate
FJWNS	SUS304 Equivalent	Electrolytic Polishing

Type	Part Number	M-A	L	Allowable Vertical Load (kN)	Mass (g)	Unit Price	
						FJKN	FJKNS
FJKN	10-75	102	4.3	186			
	10-100	127		204			
	12-75	103		211			
	12-100	128	4.9	229			
	12-125	153		245			
	12-150	178		264			
	16-75	105		307			
	16-100	130	5.9	337			
	16-130	160		376			
	16-150	180		403			
16-180	210	442					
20-100	133	8.8	509				
20-130	163		571				
20-150	183		613				
20-180	213		674				

Type	Part Number	M-A	L	Allowable Vertical Load (kN)	Mass (g)	Unit Price	
						FJWN	FJWNS
FJWN	10-75	107	4.3	239			
	10-100	132		251			
	12-75	107.5		276			
	12-100	132.5	4.9	294			
	12-125	157.5		310			
	12-150	182.5		329			
	16-75	109.5		377			
	16-100	134.5	5.9	407			
	16-130	164.5		446			
	16-150	184.5		473			
16-180	214.5	512					
20-100	136.5	8.8	587				
20-130	166.5		653				
20-150	186.5		690				
20-180	216.5		752				

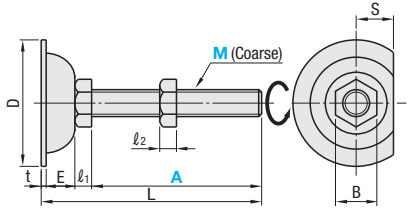
Leveling Mounts - Space Saving

NFJNCT



RoHS 10

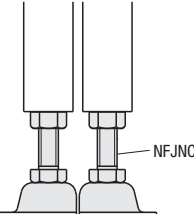
Screw shaft turns independently of the base and tilts slightly.



M	D	S	ℓ ₁	ℓ ₂	E	t	B
8	38	17	5.5	6.5	11	1.6	13
10	7		8	11	17		
12	60	10	8	10	18	2.0	19
16	75		10	13	20	24	


Material: SS400 Equivalent
Surface Treatment: Trivalent Chromate

Type	Part Number	M-A	L	Allowable Vertical Load (kN)	Mass (g)	Unit Price
NFJNCT	8-50	69.1	0.98	47		
	8-100	118.1		62		
	10-75	94.6		85		
	10-100	119.6	0.98	97		
	12-75	103		156		
	12-100	128		174		
	12-125	153		190		
	12-150	178	209			
	16-75	107	0.98	267		
	16-100	132		297		
16-130	162	336				
16-150	182	363				
16-180	212	402				

Example: 

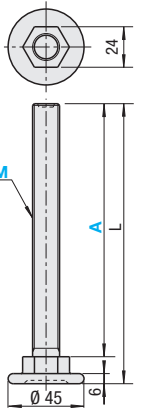
Economy Leveling Mounts

MAJB



RoHS 10

The screw and the pad are one piece.




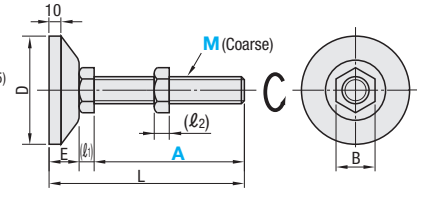
Type	Part Number	M-A	L	Allowable Vertical Load (kN)	Mass (g)	Unit Price
MAJB	16-75	91	3.7	200		
	16-150	166		297		

Ordering Example: FJWN12-150, NFJNCT12-100, MAJB16-75

Material: SWRCH
Surface Treatment: Trivalent Chromate

Heavy Load


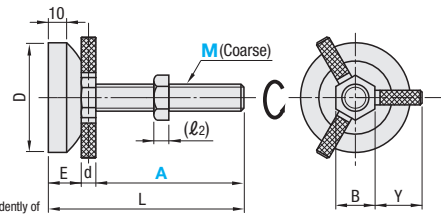
**FJFN
FJFNS
FJFNB
FJFNF**
(Fine Pitch 1.5)

M	D	ℓ ₁	ℓ ₂	E	B
10	60	7	8	18	17
12		8	10		19
16		10	13		24
20		13	16		30
24	70	16	19	20	36

Handwheel Type

FJFNH

Type	Material	Surface Treatment
FJFN	SS400 Equivalent	Trivalent Chromate
FJFNF		
FJFNB		
FJFNH	SUS304 Equivalent	-

Screw shafts can turn independently of the base and can tilt by 3 - 5 degrees.

A Selectable

Type	Part Number	M-A	L	Allowable Vertical Load (kN)	Mass (g)	Unit Price
FJFN	10-75	100	10	319		
	10-100	125		330		
	12-75	101		339		
	12-100	126	13	357		
	12-125	151		376		
	12-150	176		393		
	16-75	103		436		
	16-100	128	16.6	446		
	16-130	158		505		
	16-150	178		532		
16-180	208	571				
20-100	131	39.2	626			
20-130	161		692			
20-150	181		729			
20-180	211		800			
24-130	166	49.4	1100			
24-180	216		1250			

For M20 and M24, fine thread is applicable. Kgf (Load)=Nx0.101972

A configurable in 10mm Increment

Type	Part Number	M	A 10mm Increment	L	Unit Price
FJFNF	10	80-200	A+25		
	12	80-250	A+26		
	16	80-300	A+28		
	20	110-300	A+31		

Tips of screws are painted.

Handwheel Type

Type	Part Number	M-A	L	d	Y	Allowable Vertical Load (kN)	Mass (g)	Unit Price
FJFNH	10-75	100	6	25	10	329		
	10-100	125				340		
	12-75	101				349		
	12-100	126	7	26	13	367		
	12-125	151				386		
	12-150	176				408		
	16-75	103				451		
	16-100	128	8	27	16.6	461		
	16-130	158				520		
	16-150	178				547		
16-180	208	586						

Ordering Example: Part Number - A
FJFN10-75 - 150
FJFNF20 - 150
FJFNH16-100

Alterations: Part Number - (WC / WK / SC / WN)
FJFN12-150 - WC

For FJFN only. No plating on alteration-applied sections. For alterations for 31 or more pieces, please request a quotation.

Alterations	Square Flats	Hex Flats	Wrench Flats	Hex Wrench Socket Machining
Code	WC	WK	SC	WN
Spec.	Ordering Code WC Applicable when 20≥M≥10 M WC ℓ 10 6 10 12 8 10 16 10 12 20 12 13.5	Ordering Code WK Applicable when 20≥M≥10 M WK ℓ 10 6 10 12 8 10 16 10 12 20 13	Ordering Code SC Applicable when 20≥M≥10 M W ℓ ₁ SC 10 20 12 10 10 16 13 10 20 17	Ordering Code WN Applicable when 20≥M≥10 M WN ℓ 10 4 5 12 5 6 16 8 8 20 8 8

Example: 